

PVB3 SERIES ANTI-VANDAL SWITCH

ANTI-VANDAL SWITCHES
DETECTOR SWITCHES
DIP SWITCHES
KEYLOCK SWITCHES
NAVIGATION SWITCHES
PUSHBUTTON SWITCHES
ROCKER SWITCHES
ROTARY SWITCHES
SLIDE SWITCHES
SNAP ACTION SWITCHES
TACTILE SWITCHES
TOGGLE SWITCHES
CAP OPTIONS



APPLICATIONS / MARKETS



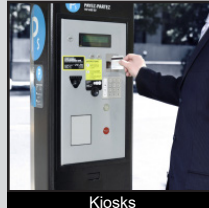
Commercial Appliances



Security Devices



Industrial Controls



Kiosks



Electrical Housewares



Medical Equipment



RoHS

SPECIFICATIONS

Electrical Rating: 5A/250V (Resistive)
1.5A/250V (Inductive)
2A/ 24VDC

Mechanical Life: 1,000,000 Cycles (Momentary)
500,000 Cycles (Latching)

Electrical Life: 50,000 Cycles

Contact Resistance: 50mΩ Max.

Insulation Resistance: 1000 MΩ Min. @ 500VDC

Dielectric Strength: 1,500VAC

Operating/Storage Temperature: -40°C to 85°C

Travel: 3.0mm

Moisture Protection: IP67

Contact Arrangement: SPDT

Actuation Force: 2.5N

Panel Thickness: 1-7mm

FEATURES & BENEFITS

- 16mm panel cutout
- Ring illumination option
- Multiple LED color options
- IP67 rated
- Momentary or Latching functions
- **UL60947-1 recognized per UL File E504759:**
(5A/250VAC, 1.5A/250VAC, 6000 Cycles, SAT 55°C)

PART NUMBER CONFIGURATOR

Series	Actuator Options	Terminal Options	Function Options	Rating Options	Body Finish Options	Actuator Finish Options	Contact Material Options	Lens Style Option	LED-Color Options	Illumination Voltage Options
<input type="text" value="PVB3"/>	<input type="text" value="F - Flat"/> <input type="text" value="H - High"/>	<input type="text" value="2 - Solder"/>	<input type="text" value="B - 1P"/> <input type="text" value="3 - 1P"/> <input type="text" value="On - On"/>	<input type="text" value="0 - 5A, 250VAC"/> <input type="text" value="2A, 24VDC"/>	<input type="text" value="S - Stainless Steel"/> <input type="text" value="1 - Black"/> <input type="text" value="Anodized"/>	<input type="text" value="S - Stainless Steel"/> <input type="text" value="1 - Black"/> <input type="text" value="Anodized"/>	<input type="text" value="NONE - Silver"/> <input type="text" value="G - Gold"/>	<input type="text" value="NONE - Non-Illuminated"/> <input type="text" value="3 - Ring Illumination"/> <input type="text" value="6 - Ring / Power symbol**"/>	<input type="text" value="NONE - Non-Illuminated"/> <input type="text" value="0 - White"/> <input type="text" value="1 - Red"/> <input type="text" value="2 - Orange"/> <input type="text" value="3 - Green"/> <input type="text" value="4 - Blue"/> <input type="text" value="5 - Yellow"/> <input type="text" value="R - RGB Common Cathode"/> <input type="text" value="RA - RGB Common Anode"/>	<input type="text" value="NONE - Non-Illuminated"/> <input type="text" value="1 - Base Voltage*"/> <input type="text" value="3 - 6V"/> <input type="text" value="4 - 12V"/> <input type="text" value="5 - 24V"/> <input type="text" value="6 - 125V"/> <input type="text" value="7 - 250V"/>

NOTES:
*(ON) Denotes function is momentary
** Lens Style Option 6 - Ring/Power Symbol is unavailable with Actuator H - High
*Base voltage on LEDs:
1.8V @ 20mA for Red, Yellow and Orange LED colors
2.8V @ 20mA for Blue, Green and White LED colors

Specifications subject to change without notice 1.21.2025



E-SWITCH®

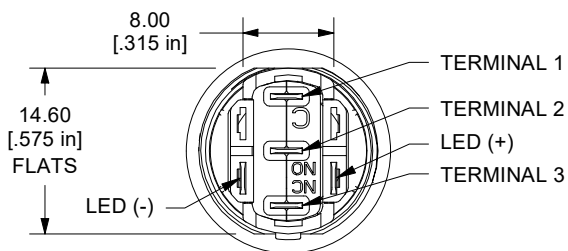
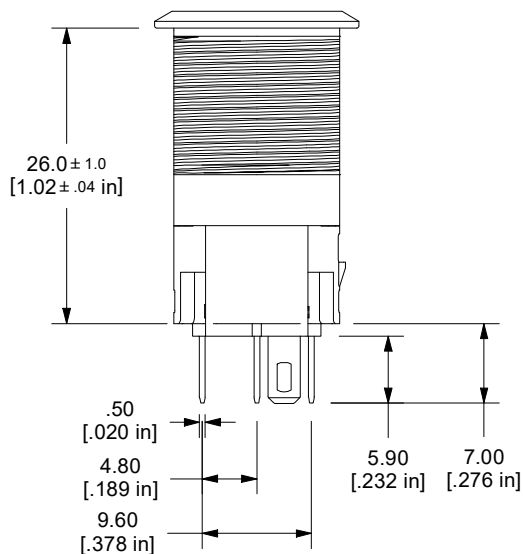
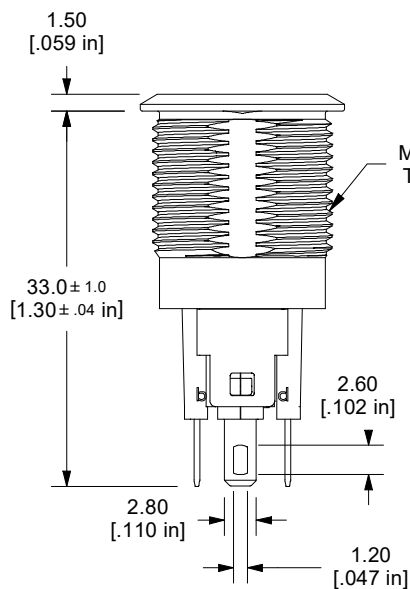
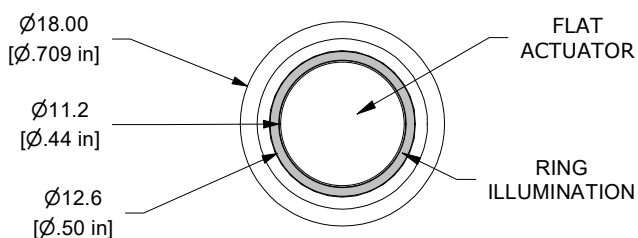
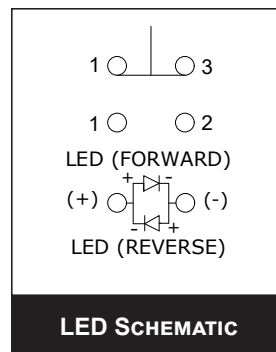
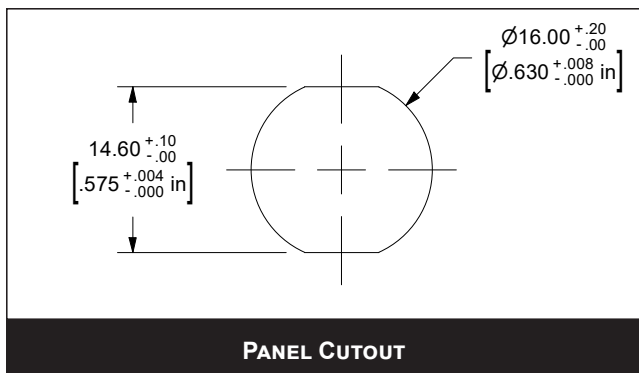
www.e-switch.com

800.867.2717

1

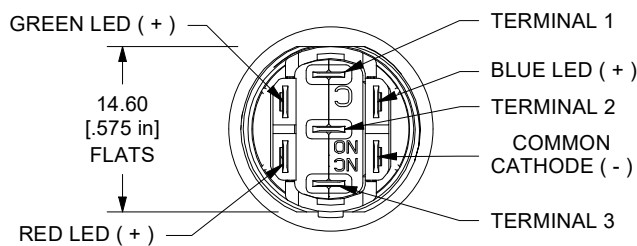
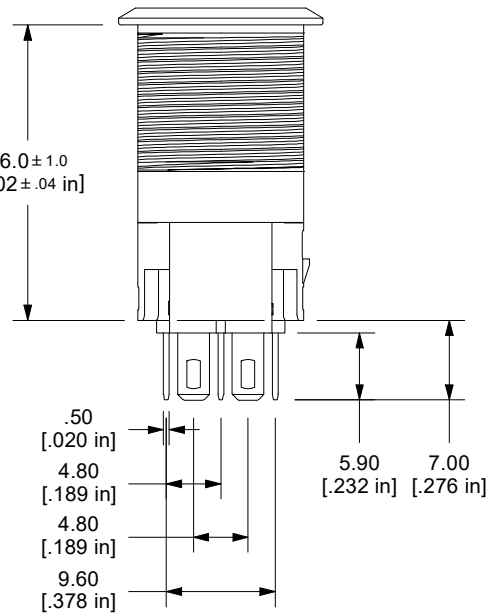
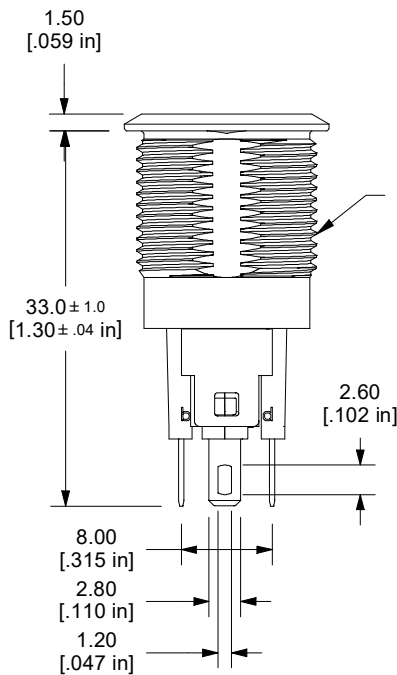
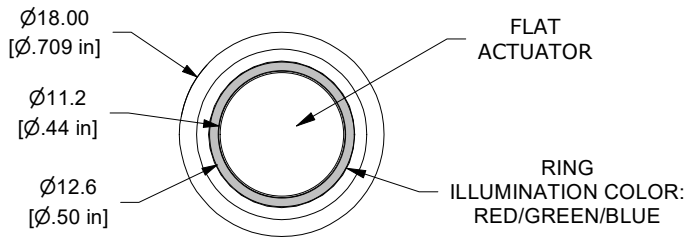
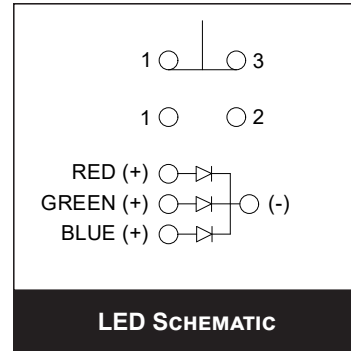
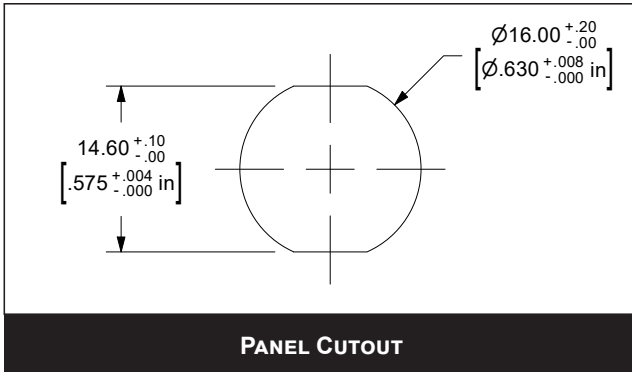
PVB3 SERIES ANTI-VANDAL SWITCH

FLAT ACTUATOR LED ILLUMINATED RING BODY DIMENSIONS



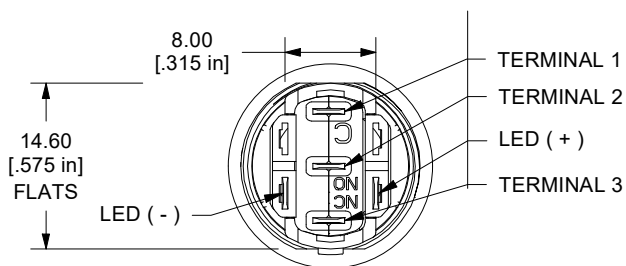
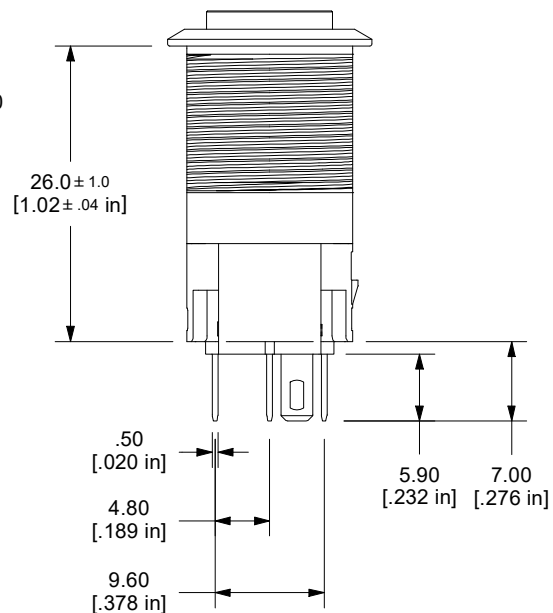
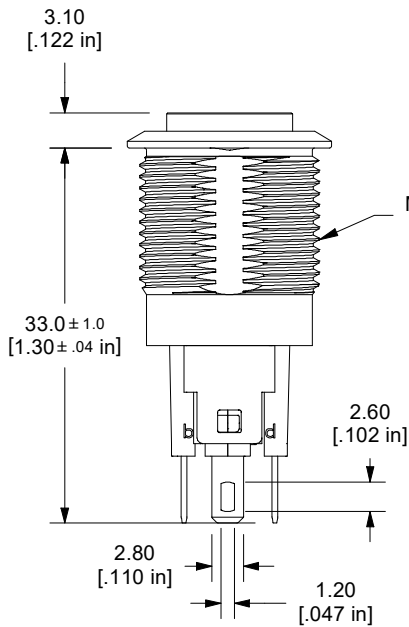
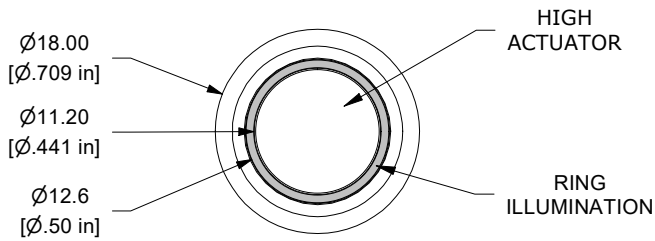
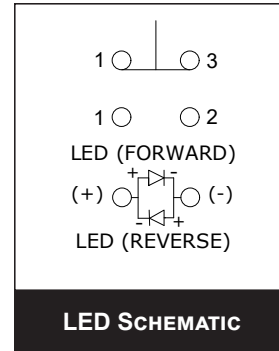
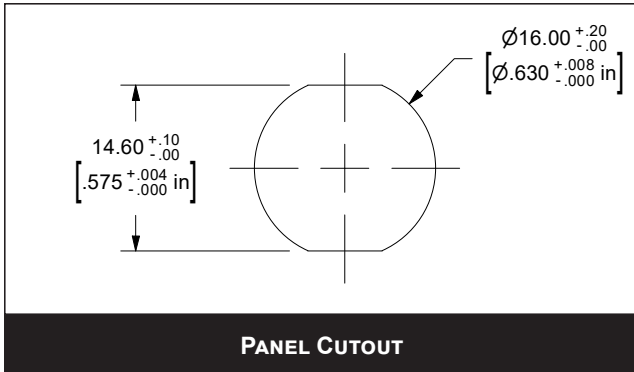
PVB3 SERIES ANTI-VANDAL SWITCH

FLAT ACTUATOR RGB ILLUMINATED RING BODY DIMENSIONS



PVB3 SERIES ANTI-VANDAL SWITCH

HIGH ACTUATOR LED ILLUMINATED RING BODY DIMENSIONS



PVB3 SERIES ANTI-VANDAL SWITCH

FLAT ACTUATOR LED ILLUM RING/POWER BODY DIMENSIONS

