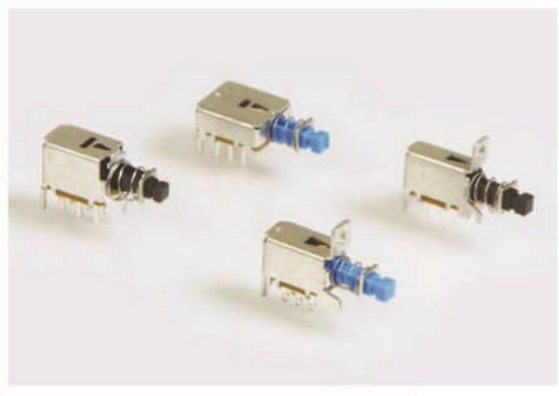


# SERIES LC SWITCHES

## PUSHBUTTON SWITCHES



### FEATURES & BENEFITS

- ▶ Latching & momentary functions
- ▶ Shorting or non-shorting versions
- ▶ Variety of housing styles available

### APPLICATIONS/MARKETS

- ▶ Telecommunications
- ▶ Networking
- ▶ Computers/servers
- ▶ Performance audio
- ▶ Instrumentation
- ▶ Low power on/off designs
- ▶ External hard drives and modems

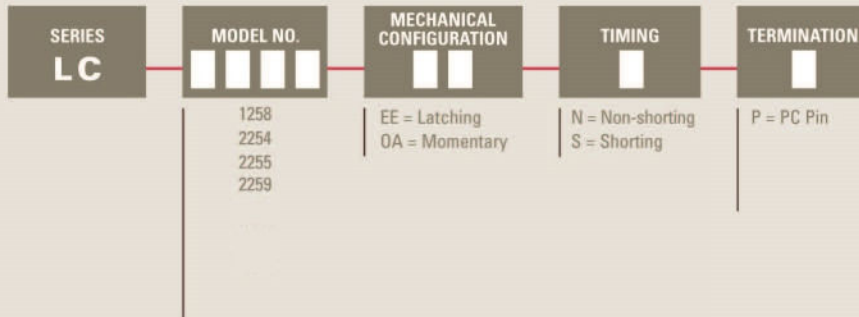
### SPECIFICATIONS

Contact Rating:	300mA @ 30 VDC
Life Expectancy:	10,000 cycles typical
Contact Resistance:	20mΩ max. initial @ 2-4 VDC, 100mA
Insulation Resistance:	100MΩ min.
Dielectric Strength:	1,000 V rms @ sea level
Actuation Force:	Dependent upon model number
Operating Temperature:	-20° to + 85°C

### MATERIALS

Housing:	Tin over Steel
Actuator:	Acetal
Terminal Base:	Phenolic
Spring:	Spring steel
Terminals:	Silver over brass
Contacts:	Silver over phosphor bronze

### HOW TO ORDER



▶ ▶ ▶ **Example Ordering Number**  
LC-1258-EE-N-P

Specifications subject to change without notice.

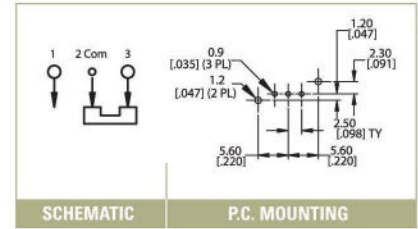
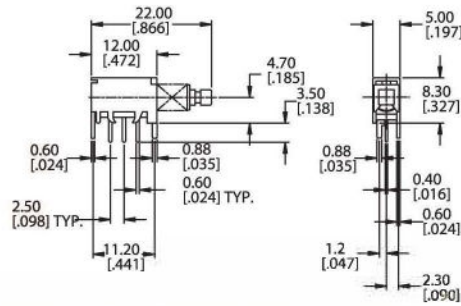
### ACTUATION OPTIONS

Model No.	Actuation Force
1258	230 ± 100 gf
2254	300 ± 150 gf
2255	300 ± 150 gf
2259	330 ± 100 gf



### LC 1258

Shaft End Style A

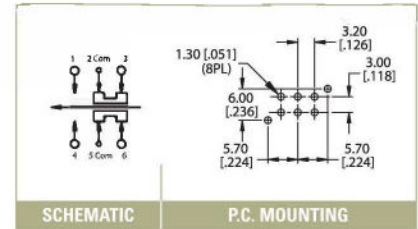
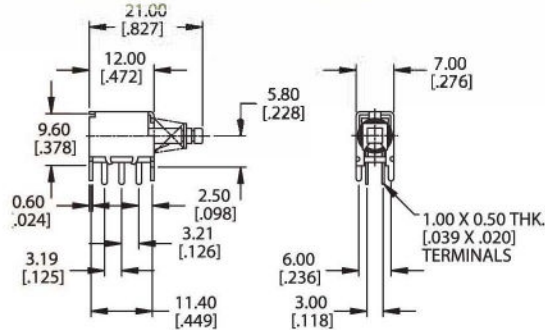


SCHEMATIC

P.C. MOUNTING

### LC 2254

Shaft End Style □2.7mm

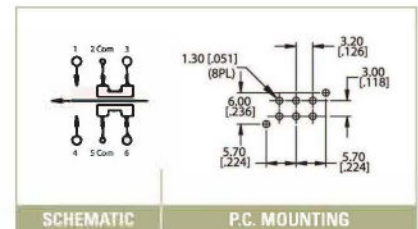
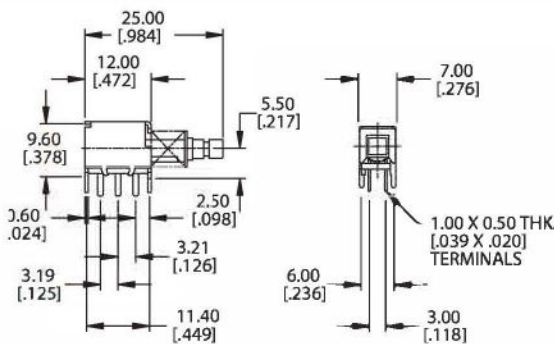


SCHEMATIC

P.C. MOUNTING

### LC 2255

Shaft End Style B

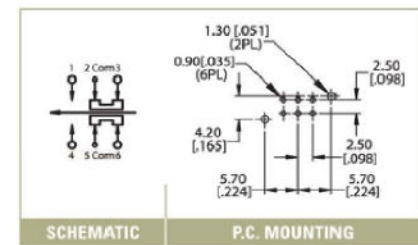
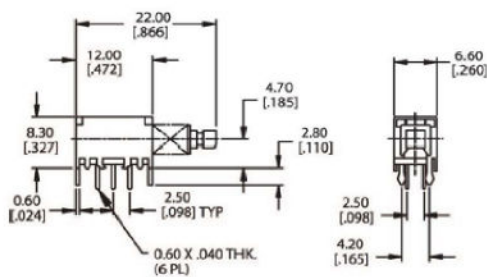


SCHEMATIC

P.C. MOUNTING

### LC 2259

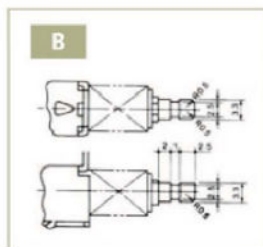
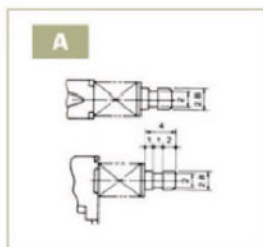
Shaft End Style A



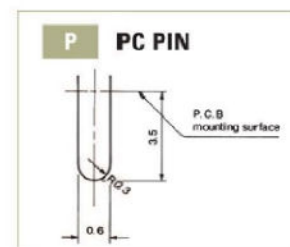
SCHEMATIC

P.C. MOUNTING

### SHAFT END STYLES



### TERMINATION OPTIONS



TACT SWITCHES  
 NAVIGATION SWITCHES  
 PUSHBUTTON SWITCHES  
 TOGGLE SWITCHES  
 ROCKER SWITCHES  
 SLIDE SWITCHES  
 SNAP-ACTION SWITCHES  
 DIP SWITCHES  
 KEYLOCK SWITCHES  
 ROTARY SWITCHES  
 DETECTOR SWITCHES  
 CAP OPTIONS