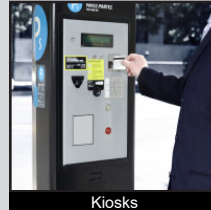


# PVHC4 SERIES ANTI-VANDAL SWITCH

- ANTI-VANDAL SWITCHES
- DETECTOR SWITCHES
- DIP SWITCHES
- KEYLOCK SWITCHES
- NAVIGATION SWITCHES
- PUSHBUTTON SWITCHES
- ROCKER SWITCHES
- ROTARY SWITCHES
- SLIDE SWITCHES
- SNAP ACTION SWITCHES
- TACTILE SWITCHES
- TOGGLE SWITCHES
- CAP OPTIONS



## APPLICATIONS / MARKETS



## SPECIFICATIONS

**Electrical Rating:** 20A, 250VAC  
25A, 30VDC

**Electrical Life:** 50,000 Cycles

**Contact Resistance:** 100mΩ Max.

**Insulation Resistance:** 100MΩ @ 500VDC

**Dielectric Strength:** 1,500VAC

**Operating/Storage Temperature:** -40°C to 85°C

**Travel:** 3.50mm

**Moisture Protection:** IP67

**Contact Arrangement:** SPST

**Actuation Force:** 6 N

**Panel Thickness:** 1-6mm

**Mounting Nut Torque:** 0.6Nm

## FEATURES & BENEFITS

- 19mm diameter panel cutout
- LED option
- Ring or power symbol illumination available
- Multiple function options
- IP67 rated
- SPST

## PART NUMBER CONFIGURATOR

Series	Actuator Options	Terminal Options	Function Options	Body Finish Options	Actuator Finish Options	Contact Material Options	Lens Style Options	LED Color Options	Illumination Voltage Options
<input type="text" value="PVHC4"/>	<input type="text" value="F - Flat"/>	<input type="text" value="2 - Solder Lug"/>	<input type="text" value="3 - 1P Off-On B - 1P Off-(On)"/>	<input type="text" value="S - Stainless Steel 1 - Black Anodized"/>	<input type="text" value="S - Stainless Steel 1 - Black Anodized"/>	<input type="text" value="None - Silver"/>	<input type="text" value="NONE - Non-Illuminated 3 - Ring Illumination 6 - Ring/Power Symbol Illumination"/>	<input type="text" value="NONE- Non-Illuminated 0 - White 1 - Red 3 - Green 4 - Blue 5 - Yellow"/>	<input type="text" value="NONE - Non-Illuminated 3 - 6V 4 - 12V 5 - 24V"/>

NOTES:  
( ) denotes function is momentary

Specifications subject to change without notice 10.4.2024



**E-SWITCH®**

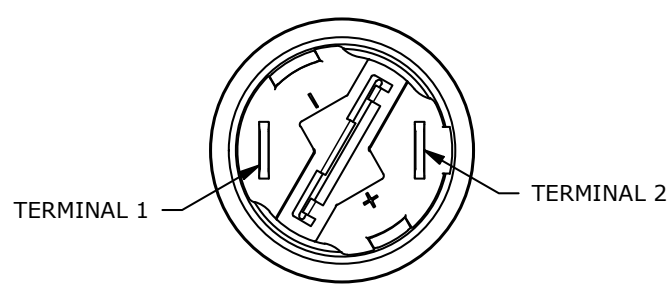
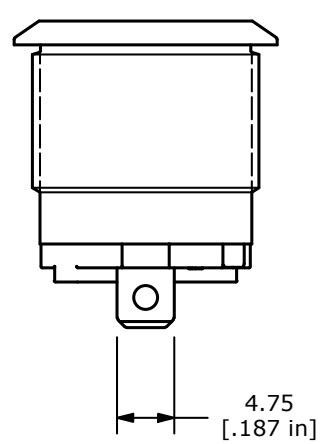
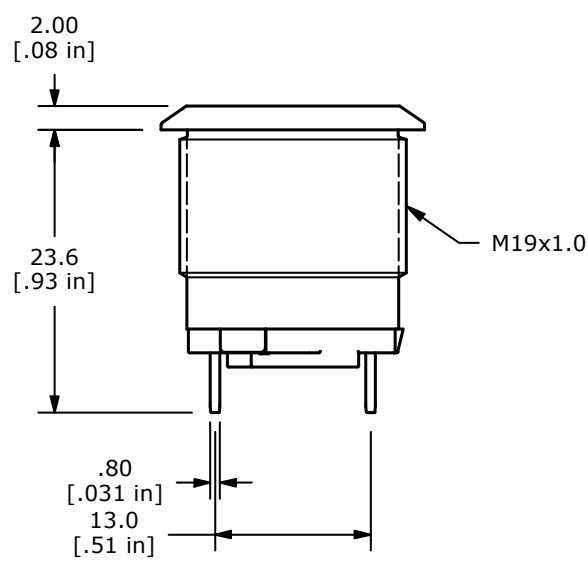
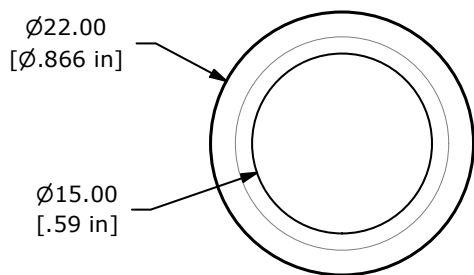
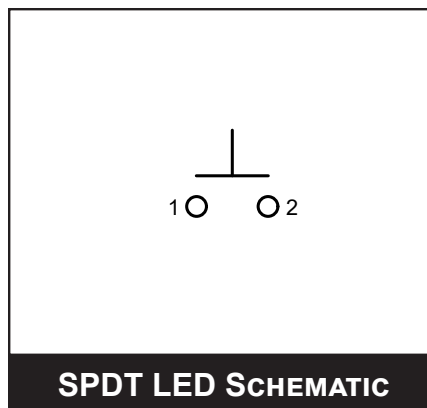
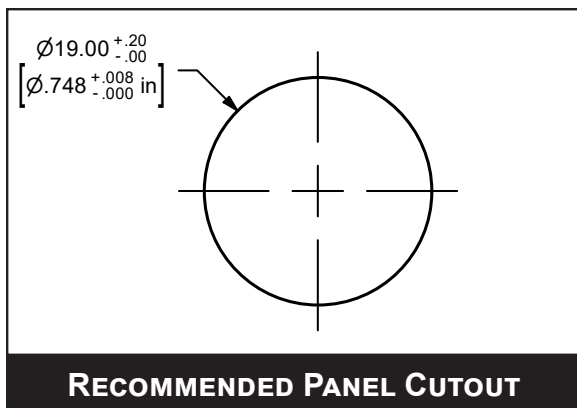
www.e-switch.com

800.867.2717

1

# PVHC4 SERIES ANTI-VANDAL SWITCH

## NON-ILLUMINATED BODY DIMENSIONS

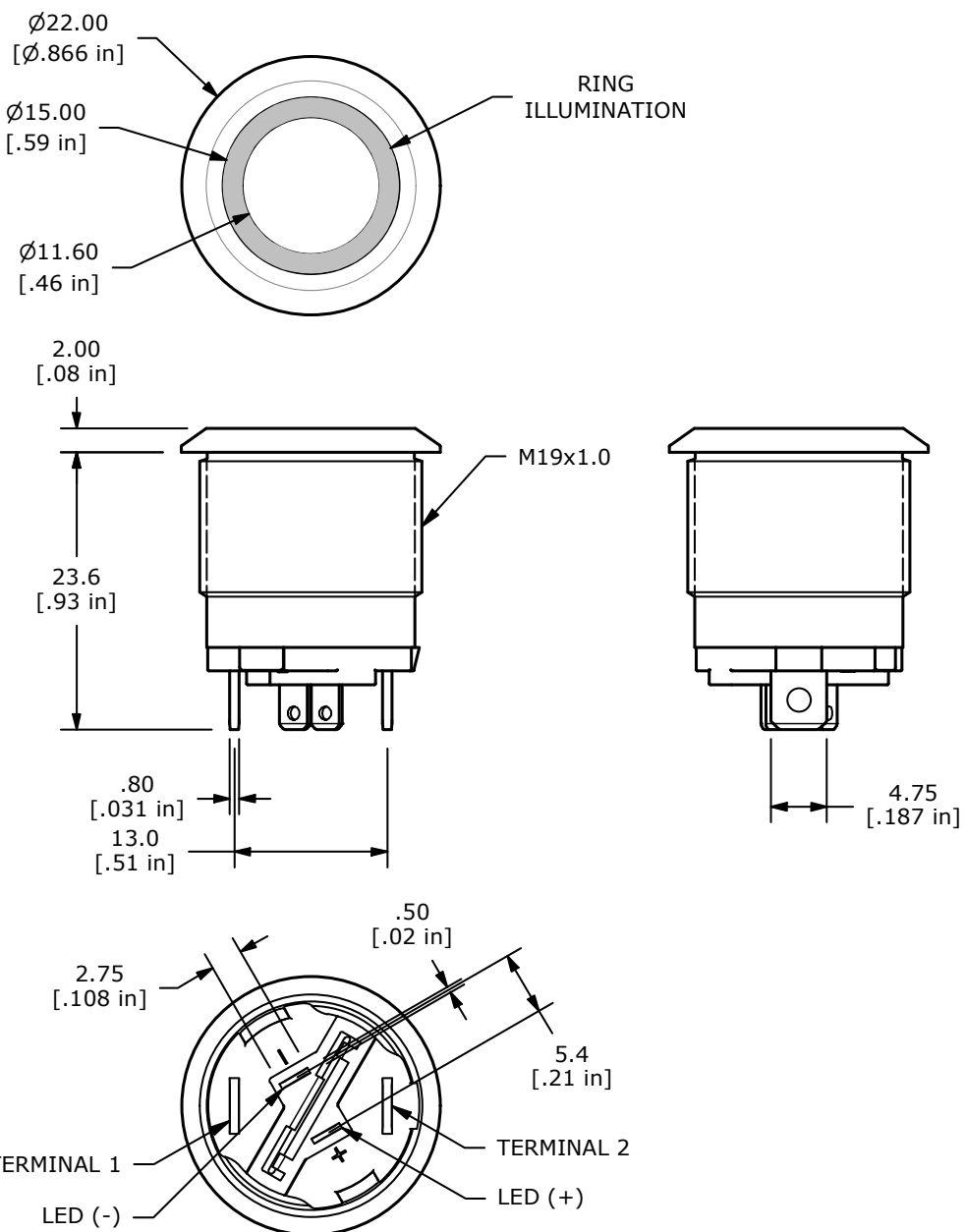
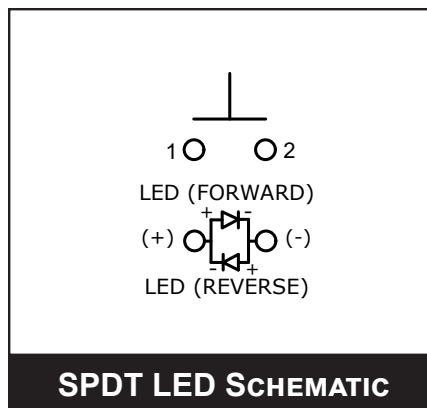
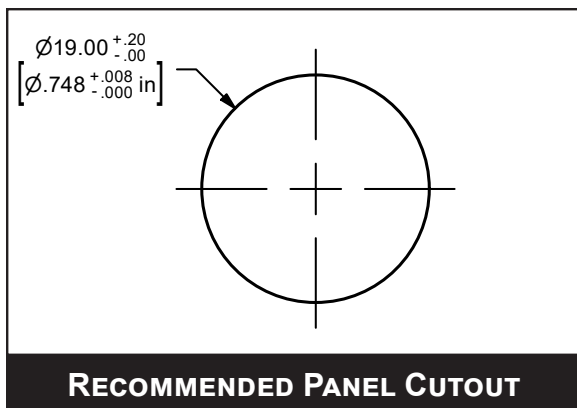


- ANTI-VANDAL SWITCHES
- DETECTOR SWITCHES
- DIP SWITCHES
- KEYLOCK SWITCHES
- NAVIGATION SWITCHES
- PUSHBUTTON SWITCHES
- ROCKER SWITCHES
- ROTARY SWITCHES
- SLIDE SWITCHES
- SNAP ACTION SWITCHES
- TACTILE SWITCHES
- TOGGLE SWITCHES
- CAP OPTIONS



# PVHC4 SERIES ANTI-VANDAL SWITCH

## ILLUMINATED RING BODY DIMENSIONS



# PVHC4 SERIES ANTI-VANDAL SWITCH

## ILLUMINATED RING/ POWER SYMBOL BODY DIMENSIONS

