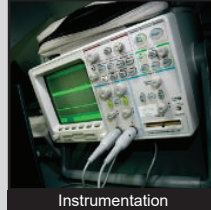
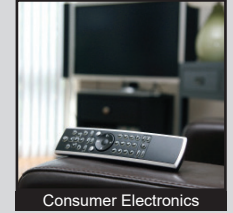
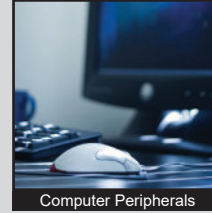
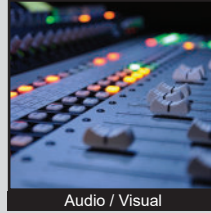


# TL1240 SERIES TACT SWITCH

ANTI-VANDAL SWITCHES  
 DETECTOR SWITCHES  
 DIP SWITCHES  
 KEYLOCK SWITCHES  
 NAVIGATION SWITCHES  
 PUSHBUTTON SWITCHES  
 ROCKER SWITCHES  
 ROTARY SWITCHES  
 SLIDE SWITCHES  
 SNAP ACTION SWITCHES  
**TACTILE SWITCHES**  
 TOGGLE SWITCHES  
 CAP OPTIONS



## APPLICATIONS / MARKETS



**RoHS**

## SPECIFICATIONS

**Contact Rating:** 50mA, 12VDC  
**Life Expectancy:** 100,000 Cycles  
**Contact Resistance:** 100mΩ Max. (Initial) at 2-4VDC  
**Insulation Resistance:** 100MΩ Min.  
**Dielectric Strength:** 250VAC for 1 minute  
**Actuation Force:** 160 ± 50gf  
**Operating Temperature:** -20°C to 70°C  
**Travel:** 0.25mm  
**Function:** SPST

## FEATURES & BENEFITS

- Multiple LED color options
- Multiple cap options
- Independent LED Leads
- LED color matching upon request
- Reliable dome technology
- Tape and Reel packaging

## PART NUMBER CONFIGURATOR

Series	Model	LED Color	Contact Material	Cap	Cap Color
<input type="text" value="TL"/>	<input type="text" value="1240"/>	<input type="text" value="Y"/> Y - Yellow R - Red G - Green B - Blue N - No LED	<input type="text" value="Q"/> Q - Silver	<input type="text" value="1J"/> None 1J 2J	<input type="text" value="BLK"/> None BLK - Black WHT - White CLR - Clear RED - Red

*Specifications subject to change without notice 7.18.2022*



**E-SWITCH®**

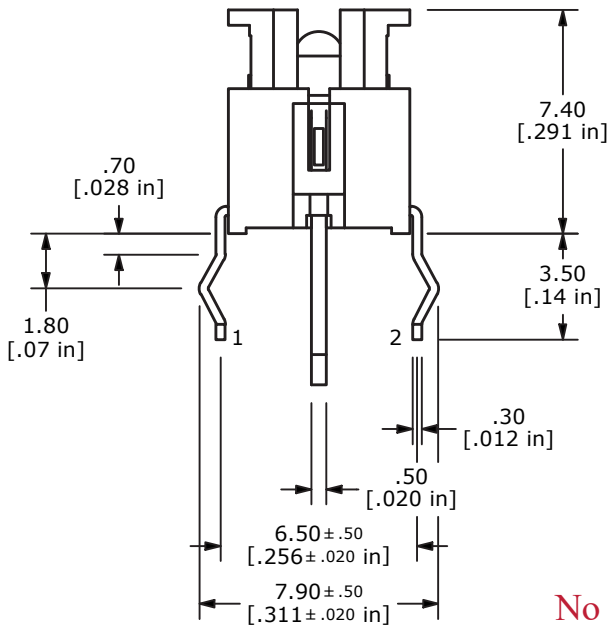
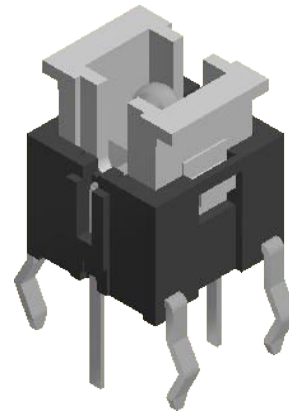
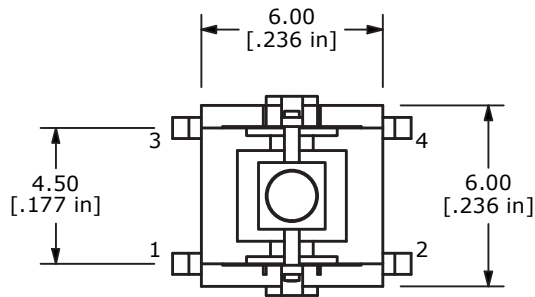
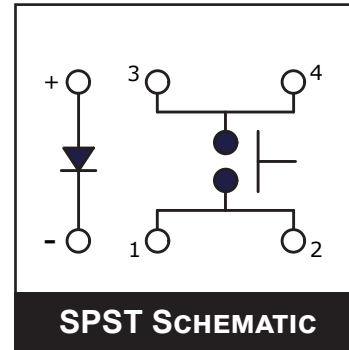
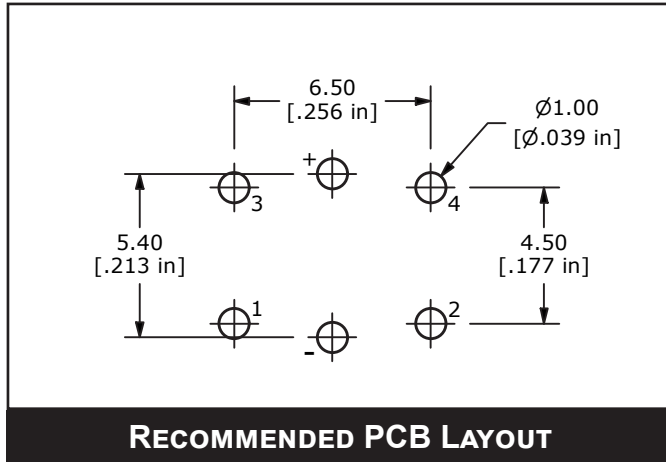
www.e-switch.com

800.867.2717

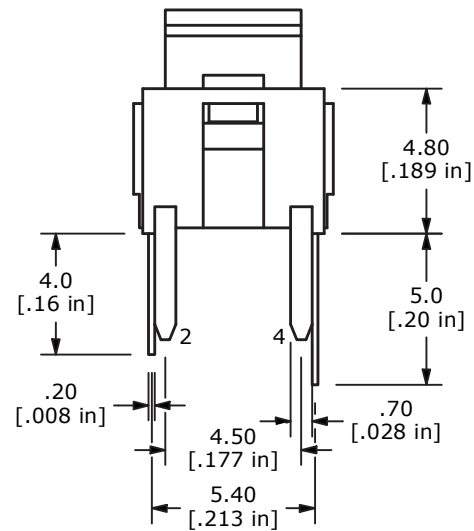
1

# TL1240 SERIES TACT SWITCH

## BODY DIMENSIONS / CAP OPTIONS

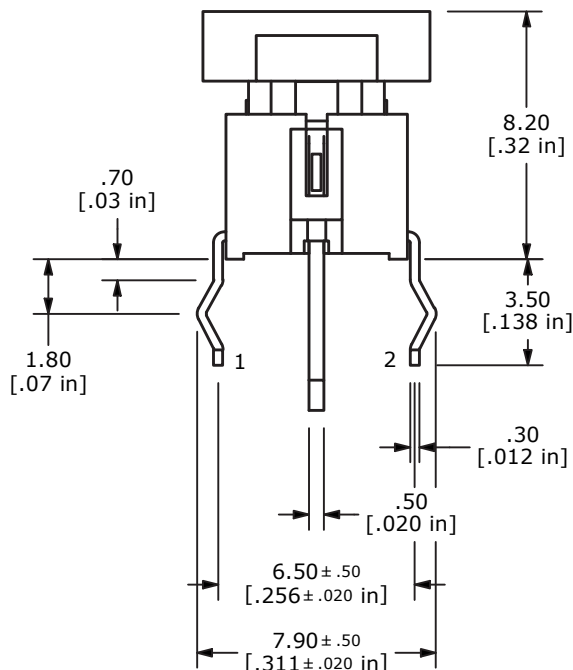
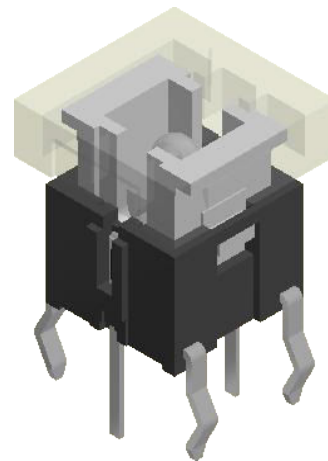
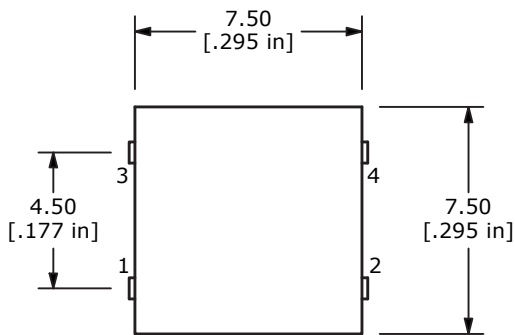
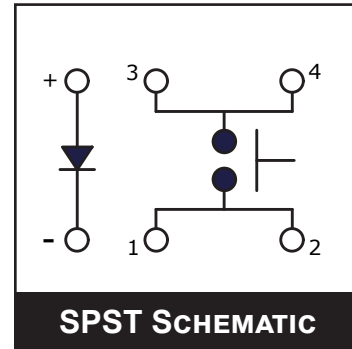
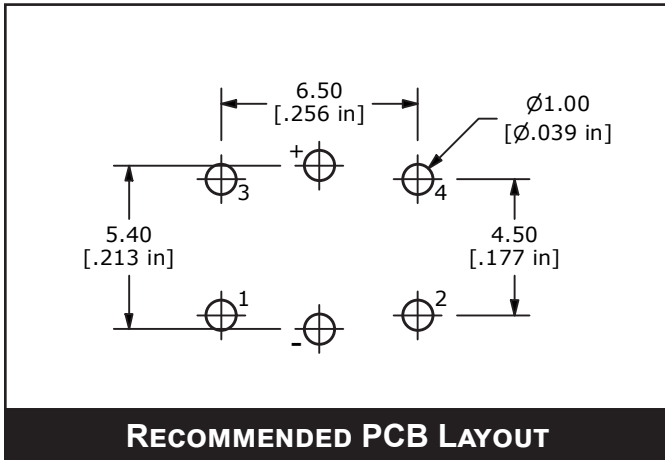


No Cap Option

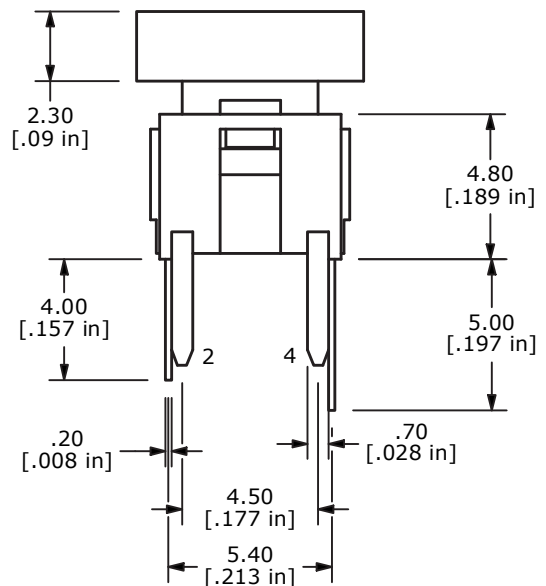


# TL1240 SERIES TACT SWITCH

## BODY DIMENSIONS / CAP OPTIONS



1J Cap Option





# TL1240 SERIES TACT SWITCH

## LED CHARACTERISTICS

PARAMETERS	SYMBOL	YELLOW LED		RED LED		GREEN LED		BLUE LED		UNITS
		MAX.	TYP.	MAX.	TYP.	MAX.	TYP.	MAX.	TYP.	
POWER DISSIPATION	$P_D$	100	--	100	--	100	--	102	--	mW
REVERSE VOLTAGE	$V_R$	4	10	4	--	4	--	5	--	V
PEAK FORWARD CURRENT	$I_{PF}$	20	--	30	--	25	--	30	--	mA
REVERSE CURRENT	$I_R$	10	--	10	--	10	--	10	--	mA
FORWARD VOLTAGE	$V_F$	2.8	1.8	2.3	--	2.8	--	4.2	--	V
LUMINOUS INTENSITY	$I_V$	--	9	--	25	--	3	--	250	mcd
EMISSION WAVELENGTH	$\lambda_P$	--	585	--	660	--	557	--	468	nm
OPERATING TEMPERATURE	$T_{OP}$	-25°C TO 85°C		-25°C TO 85°C		-20°C TO 85°C		-20°C TO 80°C		C
STORAGE TEMPERATURE	$T_{ST}$	-25°C TO 80°C		-25°C TO 85°C		-20°C TO 85°C		-30°C TO 85°C		C
LEAD SOLDERING TEMPERATURE, 12.0mm (0.063 INCH) FROM BODY) 260°C FOR 5 SECONDS										
ELECTRICAL CHARACTERISTICS (=25°C)										



