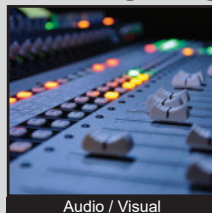


# PZ SERIES ANTI-VANDAL SWITCH

- ANTI-VANDAL SWITCHES
- DETECTOR SWITCHES
- DIP SWITCHES
- KEYLOCK SWITCHES
- NAVIGATION SWITCHES
- PUSHBUTTON SWITCHES
- ROCKER SWITCHES
- ROTARY SWITCHES
- SLIDE SWITCHES
- SNAP ACTION SWITCHES
- TACTILE SWITCHES
- TOGGLE SWITCHES
- CAP OPTIONS



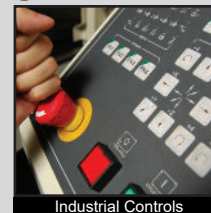
## APPLICATIONS / MARKETS



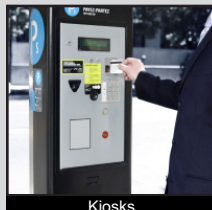
Audio / Visual



Security Devices



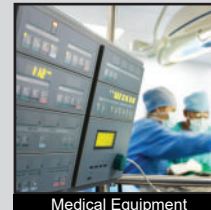
Industrial Controls



Kiosks



Electrical Housewares



Medical Equipment

## SPECIFICATIONS

**Contact Rating:** 1A @ 5-24VDC  
**Electrical Life:** 50,000,000 Cycles  
**Contact Resistance:** 1Ω Max.  
**Operating Temperature:** -20°C to 65°C  
**Storage Temperature:** -25°C to 65°C  
**Panel Thickness:** PZ3 - 8mm Max.  
                                   PZ4 & PZ7 - 10mm Max.  
**Moisture Protection:** IP68 (in house tested)

## FEATURES & BENEFITS

- 16mm, 19mm and 22mm panel cutouts
- Ring illumination options
- RGB color options
- Bezel options
- IP68 (in house tested)

## PART NUMBER CONFIGURATOR

Series	Size Options	Function	Housing	Bezel	Illumination Style	LED-Color Options	Wire Length
<input type="checkbox"/> <input type="checkbox"/> PZ	<input type="checkbox"/> 3 - 16mm* 4 - 19mm 7 - 22mm	<input type="checkbox"/> M - Momentary/ Pulse	<input type="checkbox"/> 1 - Black Anodized (Double Flat) 2 - Clear Anodized (Double Flat)	<input type="checkbox"/> C - Concave F - Flat	<input type="checkbox"/> N - Non-Illuminated R - Ring Illuminated	<input type="checkbox"/> N - Non-Illuminated R - RGB	<input type="checkbox"/> W150 - 150mm (with 1x6 Conn) W300 - 300mm (with 1x6 Conn)

\* PZ3 is only available with the PZ3M2FNNW300 configuration

Specifications subject to change without notice 5.22.2024



**E-SWITCH®**

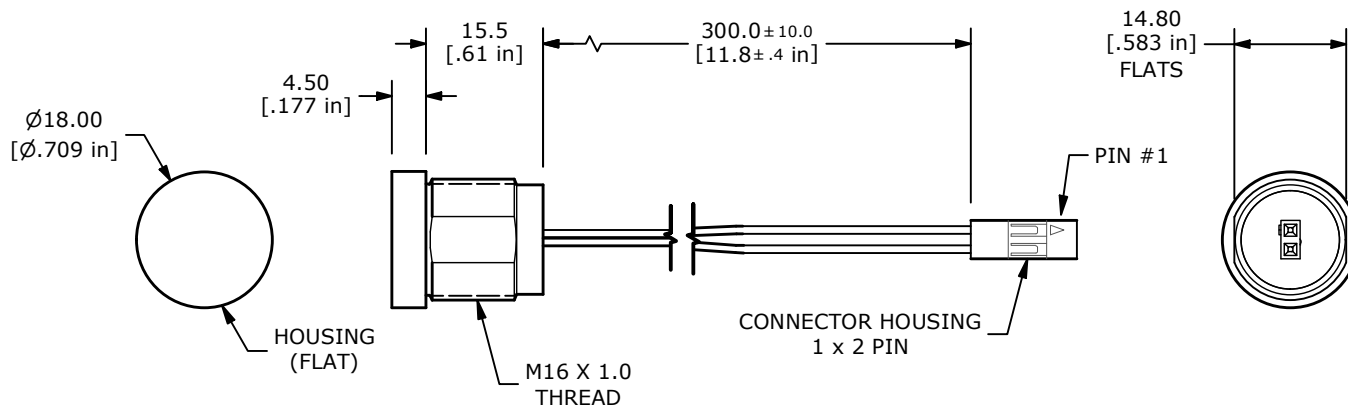
www.e-switch.com

800.867.2717

1

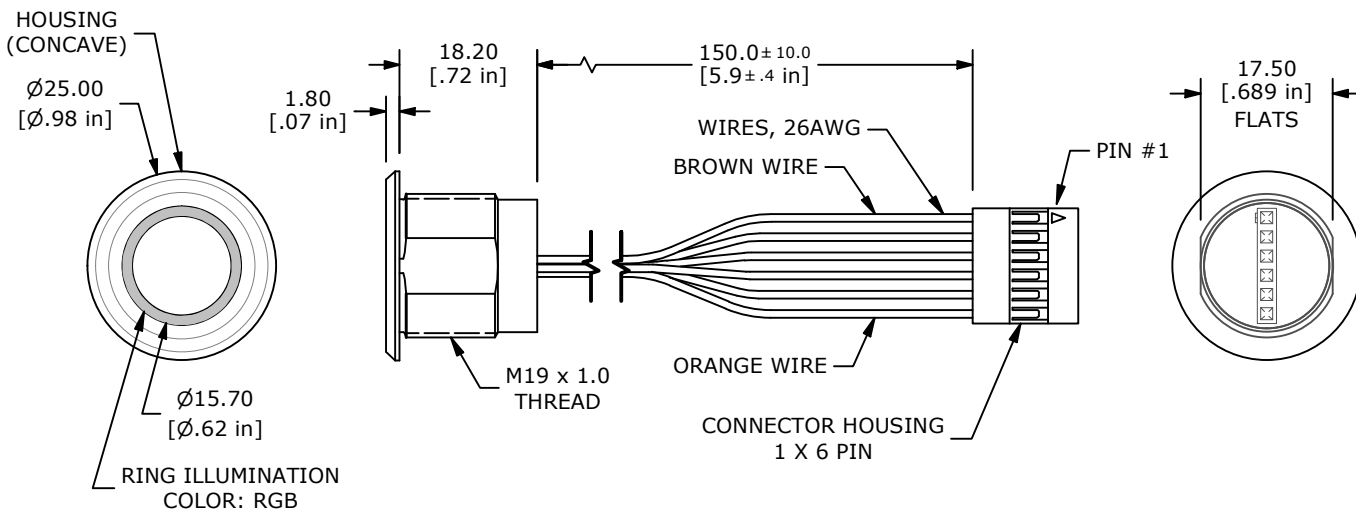
# PZ SERIES ANTI-VANDAL SWITCH

## BODY DIMENSIONS 16MM OPTION FLAT BEZEL



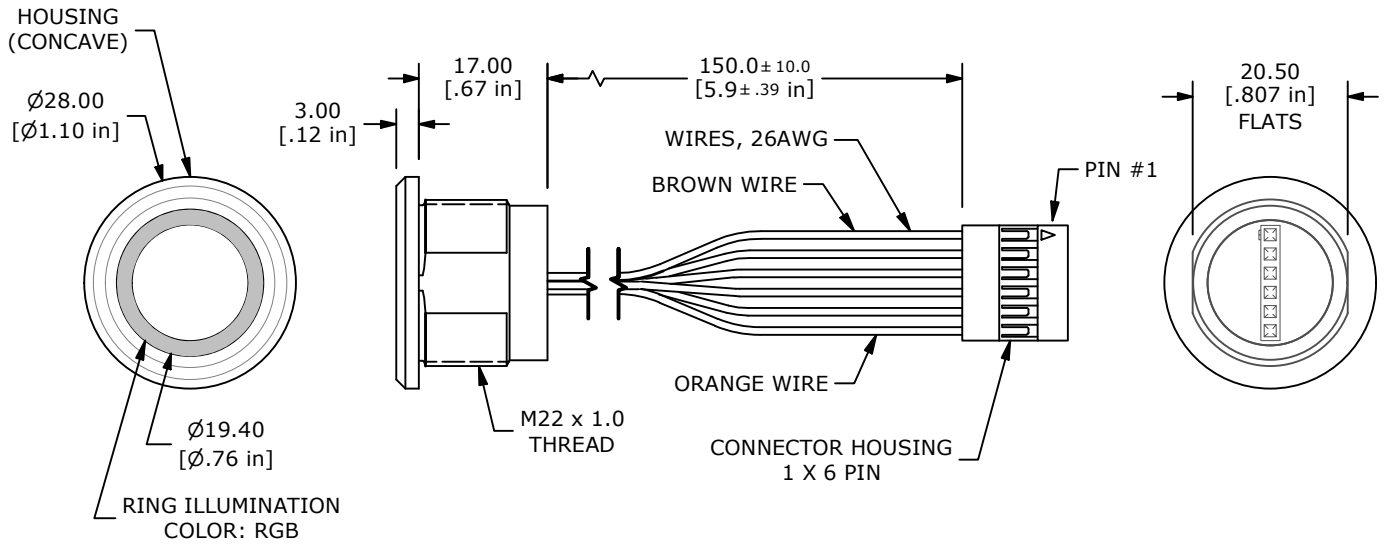
\* PZ3 is only available with the PZ3M2FNNW300 configuration

## BODY DIMENSIONS 19MM OPTION CONCAVE BEZEL

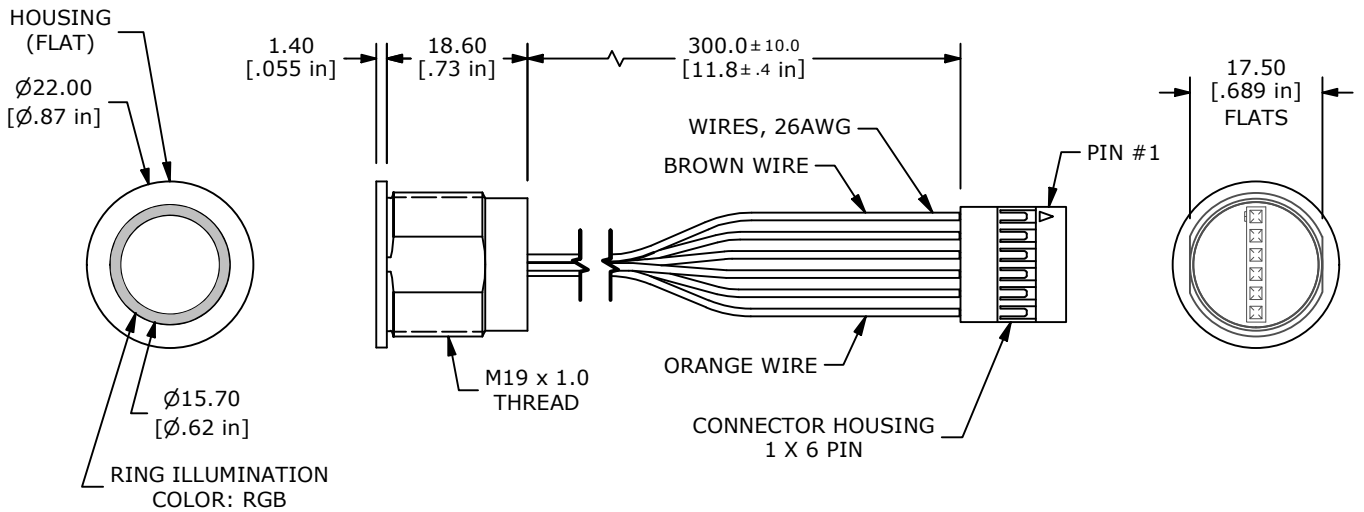


# PZ SERIES ANTI-VANDAL SWITCH

## BODY DIMENSIONS 22MM OPTION CONCAVE BEZEL

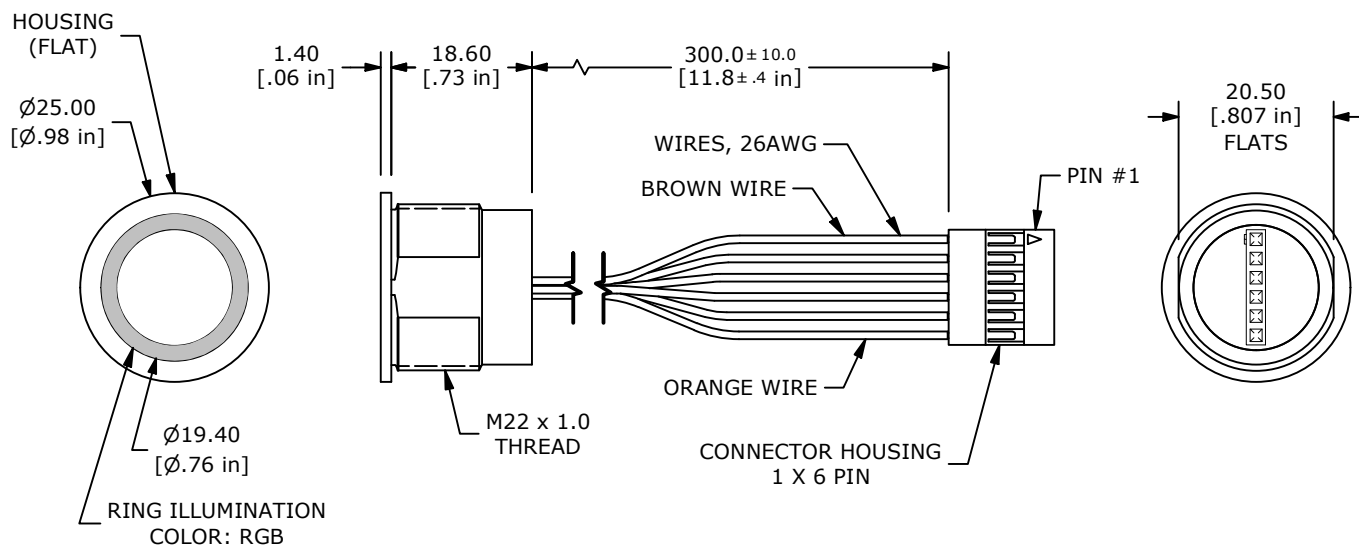


## BODY DIMENSIONS 19MM OPTION FLAT BEZEL



# PZ SERIES ANTI-VANDAL SWITCH

## BODY DIMENSIONS 22MM OPTION FLAT BEZEL



ANTI-VANDAL  
SWITCHES

DETECTOR  
SWITCHES

DIP  
SWITCHES

KEYLOCK  
SWITCHES

NAVIGATION  
SWITCHES

PUSHBUTTON  
SWITCHES

ROCKER  
SWITCHES

ROTARY  
SWITCHES

SLIDE  
SWITCHES

SNAP ACTION  
SWITCHES

TACTILE  
SWITCHES

TOGGLE  
SWITCHES

CAP  
OPTIONS



# PZ SERIES ANTI-VANDAL SWITCH

## PANEL CUTOUT & SCHEMATIC

ANTI-VANDAL SWITCHES

DETECTOR SWITCHES

DIP SWITCHES

KEYLOCK SWITCHES

NAVIGATION SWITCHES

PUSHBUTTON SWITCHES

ROCKER SWITCHES

ROTARY SWITCHES

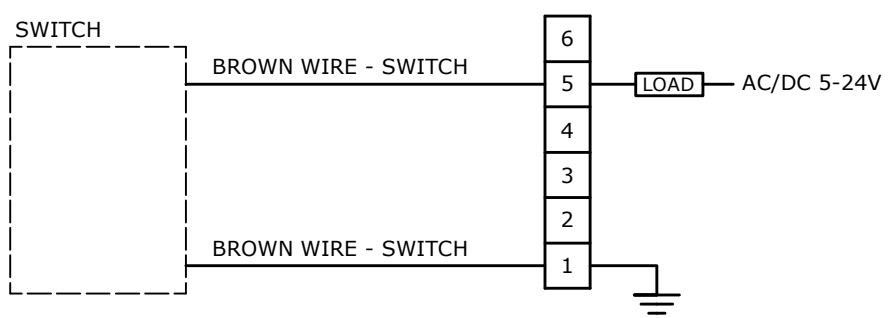
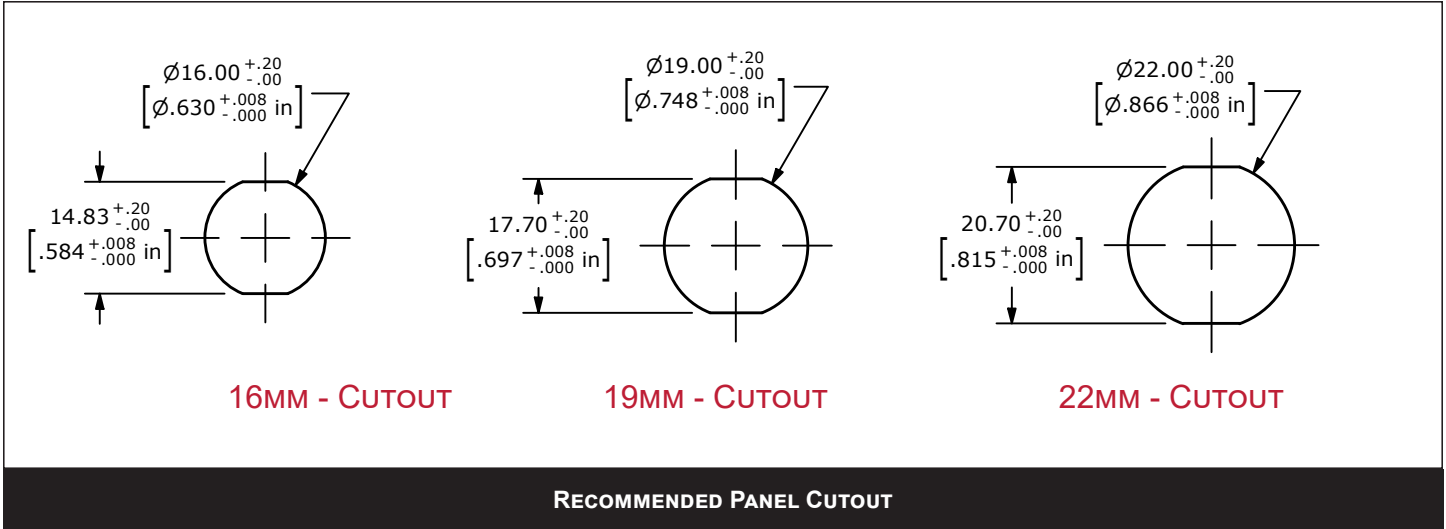
SLIDE SWITCHES

SNAP ACTION SWITCHES

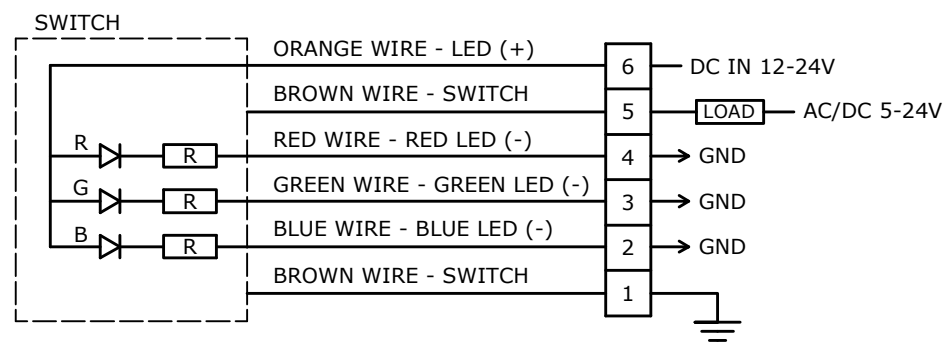
TACTILE SWITCHES

TOGGLE SWITCHES

CAP OPTIONS



SCHEMATIC  
MOMENTARY/PULSE NON-ILLUMINATED



SCHEMATIC  
MOMENTARY/PULSE ILLUMINATED - RGB

### SCHEMATICS

