

# RVW SERIES ROCKER SWITCH

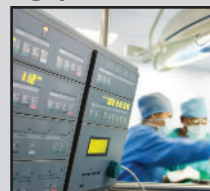
ANTI-VANDAL SWITCHES  
 DETECTOR SWITCHES  
 DIP SWITCHES  
 KEYLOCK SWITCHES  
 NAVIGATION SWITCHES  
 PUSHBUTTON SWITCHES  
**ROCKER SWITCHES**  
 ROTARY SWITCHES  
 SLIDE SWITCHES  
 SNAP ACTION SWITCHES  
 TACTILE SWITCHES  
 TOGGLE SWITCHES  
 CAP OPTIONS



## APPLICATIONS / MARKETS



Floor Care Appliances



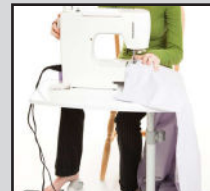
Medical Equipment



Electrical Houseware



Commercial Appliances



Home Appliances



Industrial Controls

# RoHS

## SPECIFICATIONS

### Rating:

Maintained Switches:

- 20A 125VAC [cURus UL508]
- 15A 277VAC [cURus UL508]
- 2HP 110/250VAC [cURus UL508]

Momentary Switches:

- 20A 125VAC [cURus UL508]
- 15A 277VAC [cURus UL508]
- 1.5HP 110/250VAC [cURus UL508]

**Operating Temperature:** 0°C to 55°C

**Electrical Life:** 6,000 cycles

**Contact Resistance:** 50 mΩ Max.

**Insulation Resistance:** 800 MΩ Min. at 500VDC

**Dielectric Strength:** 1,500VAC for 1 minute

**Ingress Protection:** IP54 Standard

## FEATURES & BENEFITS

- Up to 20A, 125VAC 2HP rating
- 37.5mm x 21mm panel cutout
- IP54 rated
- Agency Approvals: cURus
- SP or DP Options
- 2 or 3 position Circuit Functions

## PART NUMBER CONFIGURATOR

Series	Terminal	Function	Rating	Body Color	Actuator Color	Marking Color	Marking Type
<input type="checkbox"/> <input type="checkbox"/> <input type="checkbox"/> <input type="checkbox"/> RVW - Matte Finish RVWG - Glossy Finish	<input type="checkbox"/> 1 - 4.8mm Tabs 4 - 6.3mm Tabs 5 - Solder 6 - Screw	<input type="checkbox"/> 1 - 1 Pole Off-On 2 - 2 Pole Off-On 3 - 1 Pole On-On 4 - 1 Pole Off-(On) 5 - 1 Pole On-Off-On 6 - 2 Pole On-Off-On A - 1 Pole On-(Off) B - 1 Pole On-(On) C - 1 Pole On-Off-(On) D - 1 Pole (On)- Off- (On) E - 2 Pole Off-(On) F - 2 Pole On-(Off) G - 2 Pole On-On H - 2 Pole On-(On) J - 2 Pole On-Off-(On) K - 2 Pole (On)-Off-(On)	<input type="checkbox"/> D - 20A 125VAC	<input type="checkbox"/> 1 - Black 2 - White 3 - Almond 4 - Grey 9 - Red	<input type="checkbox"/> 1 - Black 2 - White 3 - Almond 4 - Grey 5 - Orange 7 - Blue 8 - Green 9 - Red	<input type="checkbox"/> 0 - None 1 - Black 2 - White 8 - Red	<input type="checkbox"/> 0 - None 1 - I/O Vertical 2 - On-Off-On Vertical 3 - ON-OFF Vertical 4 - On-Off Horizontal 9 - I/O/II Horizontal R - I/O Horizontal S - I/O/II Vertical

**NOTE:**

Custom Colors and Markings Available Upon Request.

Specifications subject to change without notice 4/1/2024



**E-SWITCH®**

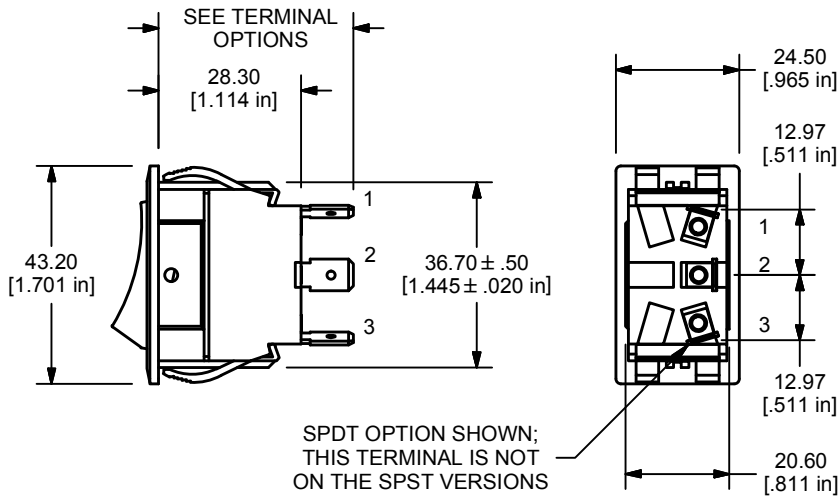
www.e-switch.com

800.867.2717

1

# RVW SERIES ROCKER SWITCH

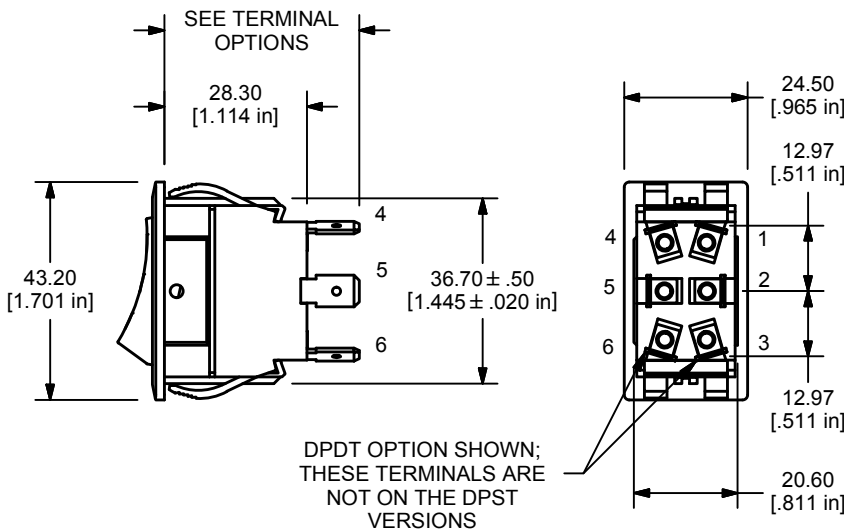
## SWITCH FUNCTIONS



FUNCTION	POS. 1	POS. 2	POS. 3
1 - SPST	OFF	NONE	ON
3 - SPDT	ON	NONE	ON
4 - SPST	OFF	NONE	(ON)
5 - SPDT	ON	OFF	ON
A - SPST	ON	NONE	(OFF)
B - SPDT	ON	NONE	(ON)
C - SPDT	ON	OFF	(ON)
D - SPDT	(ON)	OFF	(ON)
TERMINAL CLOSURE	2-3 [SPDT ONLY]	OPEN	2-1

( ) DENOTES = MOMENTARY

### SINGLE POLE - SP



FUNCTION	POS. 1	POS. 2	POS. 3
2 - DPST	OFF	NONE	ON
6 - DPDT	ON	OFF	ON
E - DPST	OFF	NONE	(ON)
F - DPST	ON	NONE	(OFF)
G - DPDT	ON	NONE	ON
H - DPDT	ON	NONE	(ON)
J - DPDT	ON	OFF	(ON)
K - DPDT	(ON)	OFF	(ON)
TERMINAL CLOSURE	2-3, 5-6 [DPDT ONLY]	OPEN	2-1, 5-4

( ) DENOTES = MOMENTARY

### DOUBLE POLE - DP

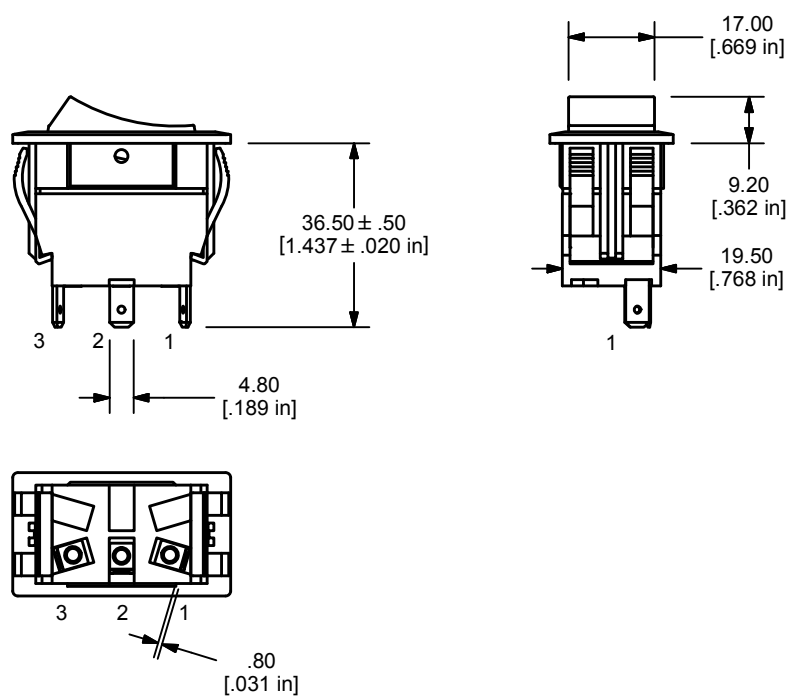


ANTI-VANDAL SWITCHES  
DETECTOR SWITCHES  
DIP SWITCHES  
KEYLOCK SWITCHES  
NAVIGATION SWITCHES  
PUSHBUTTON SWITCHES  
ROCKER SWITCHES  
ROTARY SWITCHES  
SLIDE SWITCHES  
SNAP ACTION SWITCHES  
TACTILE SWITCHES  
TOGGLE SWITCHES  
CAP OPTIONS

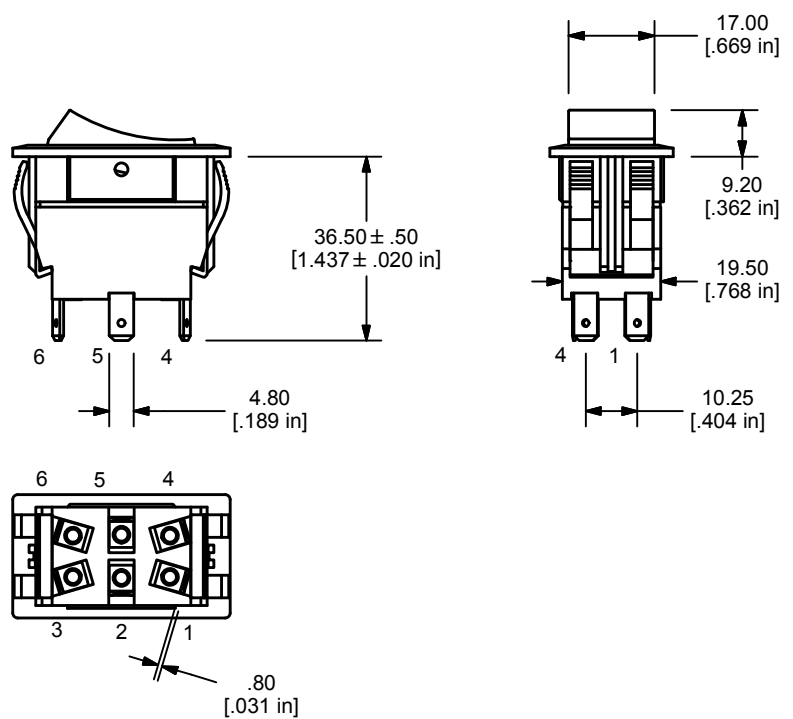
# RVW SERIES ROCKER SWITCH

## TERMINAL OPTIONS

- ANTI-VANDAL SWITCHES
- DETECTOR SWITCHES
- DIP SWITCHES
- KEYLOCK SWITCHES
- NAVIGATION SWITCHES
- PUSHBUTTON SWITCHES
- ROCKER SWITCHES**
- ROTARY SWITCHES
- SLIDE SWITCHES
- SNAP ACTION SWITCHES
- TACTILE SWITCHES
- TOGGLE SWITCHES
- CAP OPTIONS



SINGLE POLE SHOWN WITH  
4.8MM TABS

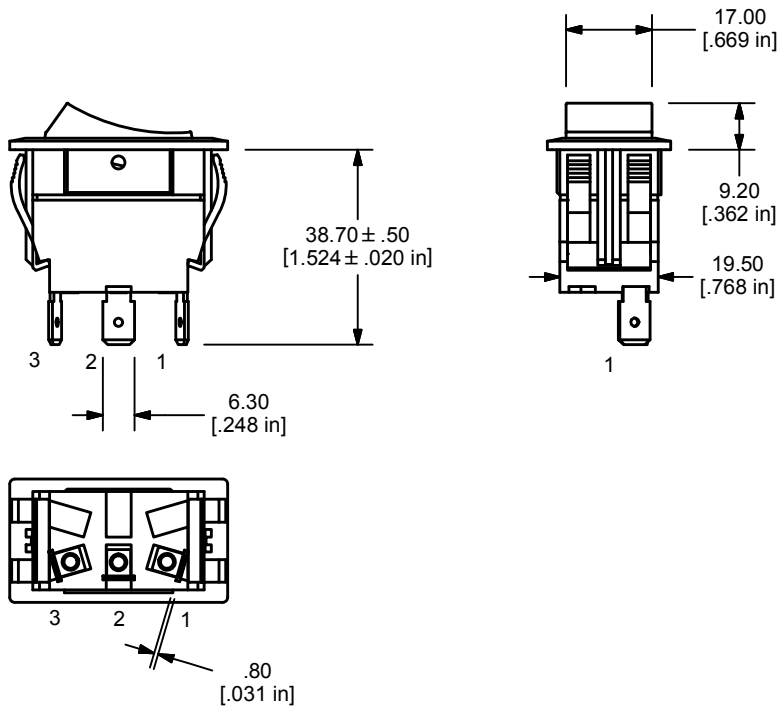


DOUBLE POLE SHOWN WITH  
4.8MM TABS

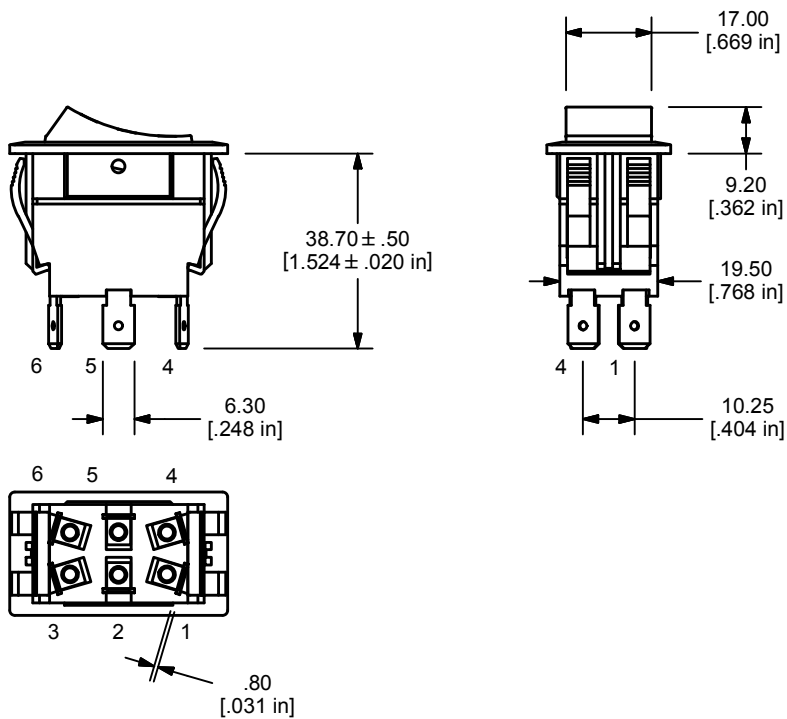


# RVW SERIES ROCKER SWITCH

## TERMINAL OPTIONS



**SINGLE POLE SHOWN WITH  
6.3 TAB TABS**



**DOUBLE POLE SHOWN WITH  
6.3MM TABS**

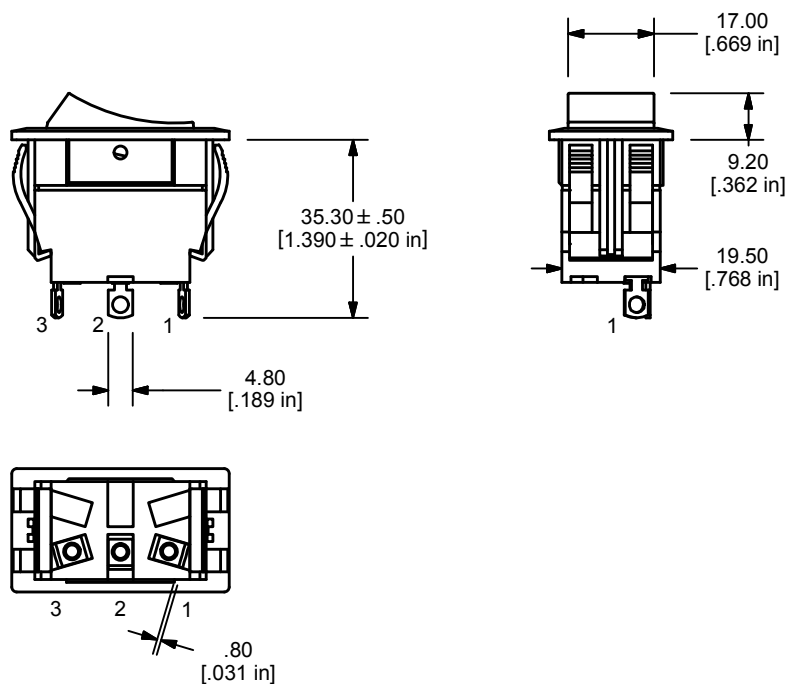
ANTI-VANDAL SWITCHES  
DETECTOR SWITCHES  
DIP SWITCHES  
KEYLOCK SWITCHES  
NAVIGATION SWITCHES  
PUSHBUTTON SWITCHES  
**ROCKER SWITCHES**  
ROTARY SWITCHES  
SLIDE SWITCHES  
SNAP ACTION SWITCHES  
TACTILE SWITCHES  
TOGGLE SWITCHES  
CAP OPTIONS



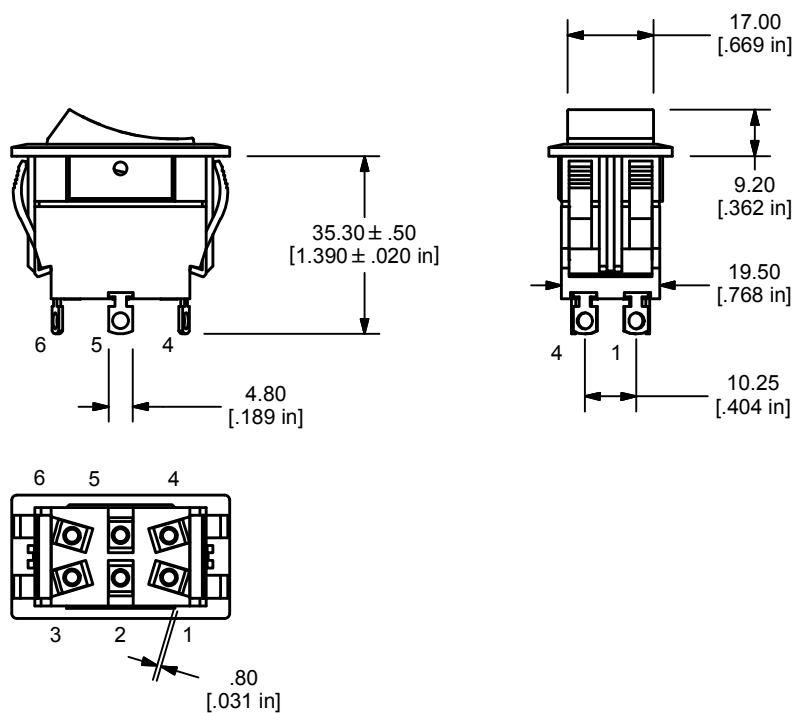
# RVW SERIES ROCKER SWITCH

## TERMINAL OPTIONS

- ANTI-VANDAL SWITCHES
- DETECTOR SWITCHES
- DIP SWITCHES
- KEYLOCK SWITCHES
- NAVIGATION SWITCHES
- PUSHBUTTON SWITCHES
- ROCKER SWITCHES**
- ROTARY SWITCHES
- SLIDE SWITCHES
- SNAP ACTION SWITCHES
- TACTILE SWITCHES
- TOGGLE SWITCHES
- CAP OPTIONS



SINGLE POLE SHOWN WITH  
SOLDER TERMINALS

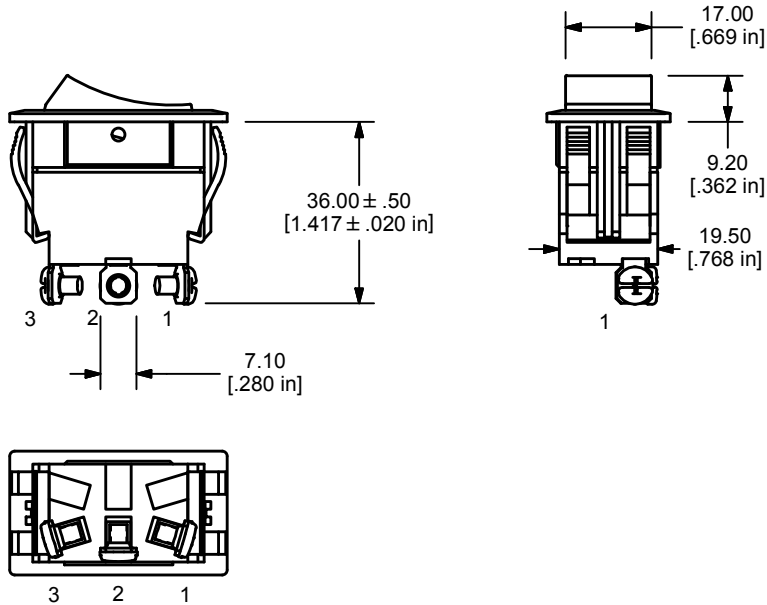


DOUBLE POLE SHOWN WITH  
SOLDER TERMINALS

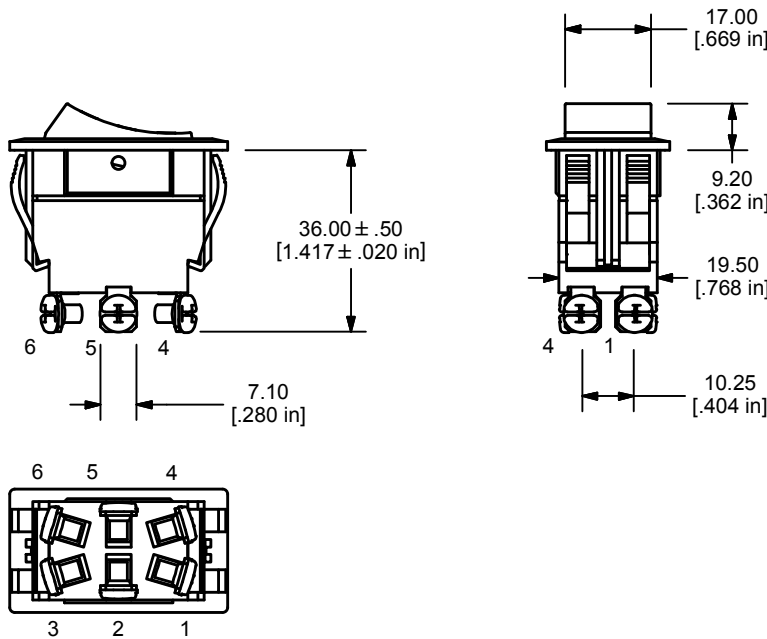


# RVW SERIES ROCKER SWITCH

## TERMINAL OPTIONS



SINGLE POLE SHOWN WITH  
SCREW TERMINALS



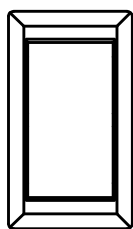
DOUBLE POLE SHOWN WITH  
SCREW TERMINALS

- ANTI-VANDAL SWITCHES
- DETECTOR SWITCHES
- DIP SWITCHES
- KEYLOCK SWITCHES
- NAVIGATION SWITCHES
- PUSHBUTTON SWITCHES
- ROCKER SWITCHES**
- ROTARY SWITCHES
- SLIDE SWITCHES
- SNAP ACTION SWITCHES
- TACTILE SWITCHES
- TOGGLE SWITCHES
- CAP OPTIONS

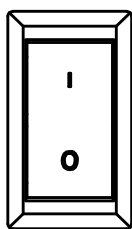


# RVW SERIES ROCKER SWITCH

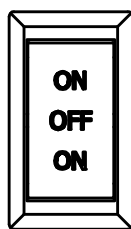
## MARKING OPTIONS



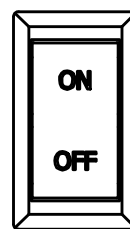
"0"  
NONE



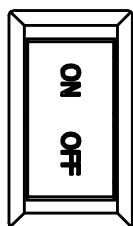
"1"  
I/O  
Vertical



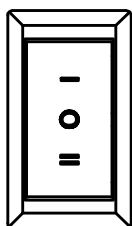
"2"  
On-Off-On  
Vertical



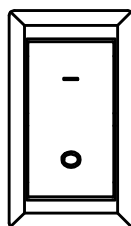
"3"  
ON-OFF  
Vertical



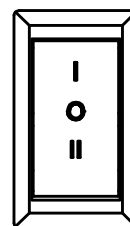
"4"  
On-Off  
Horizontal



"9"  
I/O/II  
Horizontal

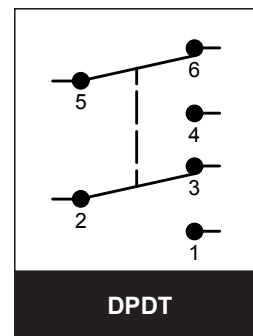
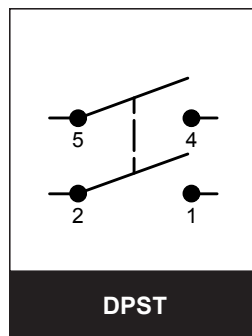
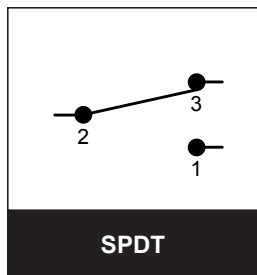
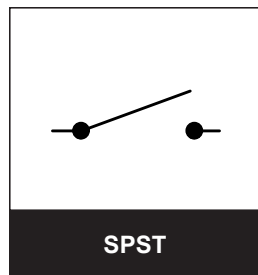


"R"  
I/O  
Horizontal

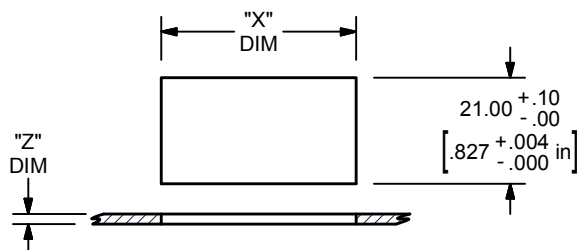


"S"  
I/O/II  
Vertical

## SCHEMATICS



## PANEL CUTOUT



PANEL THICKNESS "Z"	"X" DIM
2.50 - 3.50 [0.98 - 0.138]	37.00 <sup>+10</sup> <sub>-.00</sub> [1.457 <sup>+004</sup> <sub>-.000</sub> in]
3.50 - 4.50 [0.138 - 0.177]	37.50 <sup>+10</sup> <sub>-.00</sub> [1.476 <sup>+004</sup> <sub>-.000</sub> in]

