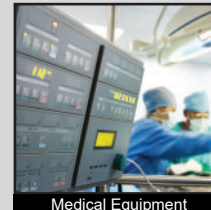
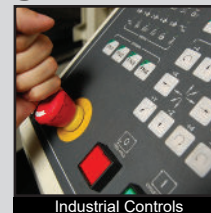
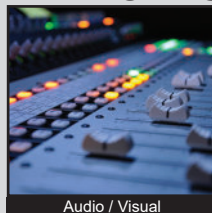


PVK4 SERIES ANTI-VANDAL SWITCH

ANTI-VANDAL SWITCHES
DETECTOR SWITCHES
DIP SWITCHES
KEYLOCK SWITCHES
NAVIGATION SWITCHES
PUSHBUTTON SWITCHES
ROCKER SWITCHES
ROTARY SWITCHES
SLIDE SWITCHES
SNAP ACTION SWITCHES
TACTILE SWITCHES
TOGGLE SWITCHES
CAP OPTIONS



APPLICATIONS / MARKETS



RoHS

SPECIFICATIONS

Electrical Rating: 2A, 24VDC
Electrical Life: 50,000 Cycles
Contact Resistance: 50mΩ Max.
Insulation Resistance: 1000 MΩ Min. @500VDC
Dielectric Strength: 1,500VAC
Operating/Storage Temperature: -20°C to 55°C
Moisture Protection: IP40 (return)
 IP65 (maintain)
Contact Arrangement: SPDT, DPDT
Max. Panel Thickness: 10mm
Mounting Nut Torque: 0.8Nm

FEATURES & BENEFITS

- 19mm diameter panel cutout
- Keylock actuator option
- Selector actuator option, with illuminated arrow
- Multiple operating positions
- IP40 and IP65 rated
- SPDT & DPDT

PART NUMBER CONFIGURATOR

Series	Actuator	Terminal	Function	Operating Position	Rating	Body Finish	Actuator Finish	Contact Material	Lens Style	LED Color	Illumination Voltage
<input type="text" value="PVK4"/>	<input type="text" value="K - Keylock*
S - Selector"/>	<input type="text" value="2 - Solder"/>	<input type="text" value="1 - SPDT
2 - DPDT"/>	<input type="text" value="A - 2 Position maintain On-On
B - 2 Position return On-(On)
C - 3 Position maintain On-On-On (DPDT) Function only
D - 3 Position return (On)-On-(On) (DPDT) Function only"/>	<input type="text" value="0 - 2A, 24VDC"/>	<input type="text" value="S - Stainless Steel"/>	<input type="text" value="S - Stainless Steel"/>	<input type="text" value="None - Silver
G - Gold"/>	<input type="text" value="NONE - Non-Illuminated
A - Selector Arrow Illumination (Selector Actuator Only)"/>	<input type="text" value="NONE - Non-Illuminated
0 - White
1 - Red
2 - Orange
3 - Green
4 - Blue
5 - Yellow"/>	<input type="text" value="NONE - Non-Illuminated
1 - Base Voltage
3 - 6V
4 - 12V
5 - 24V
6 - 125V
7 - 220V"/>

NOTES:

- * Keylock actuators are IP40.
- * Two keys shipped with keylock versions

Specifications subject to change without notice 4.2.2024



E-SWITCH®

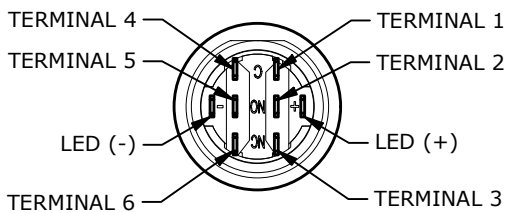
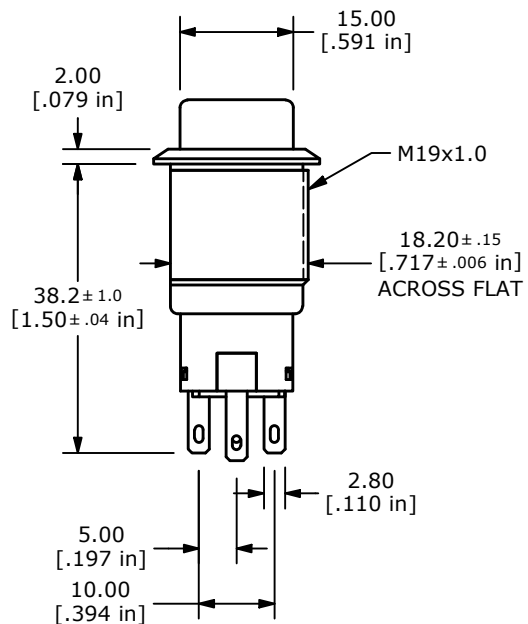
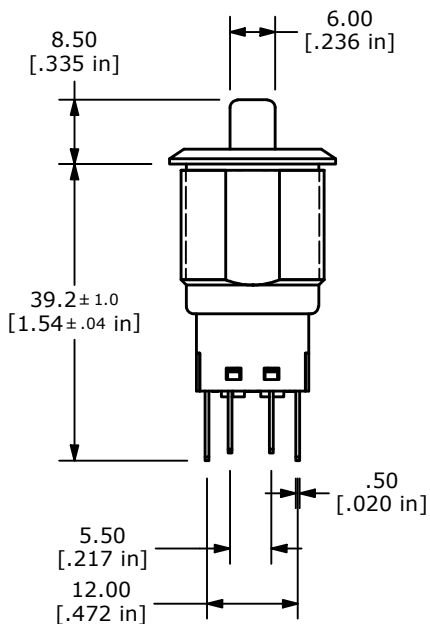
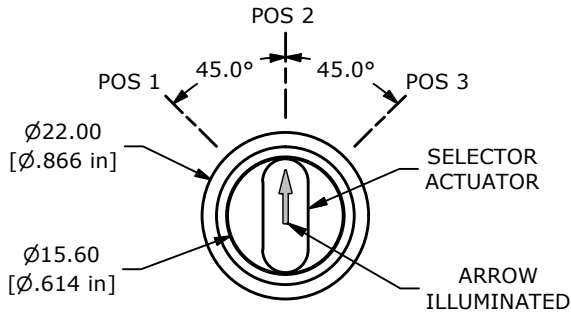
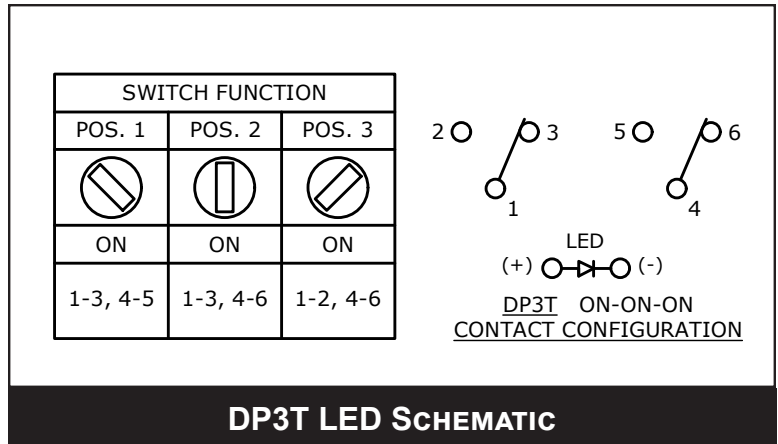
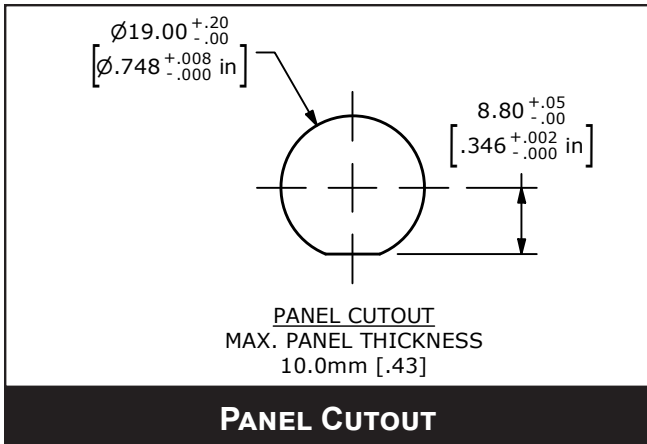
www.e-switch.com

800.867.2717

1

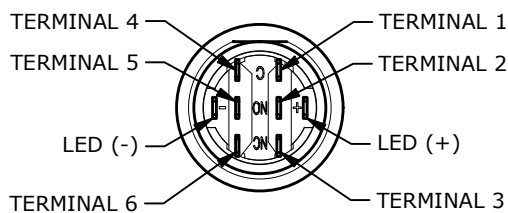
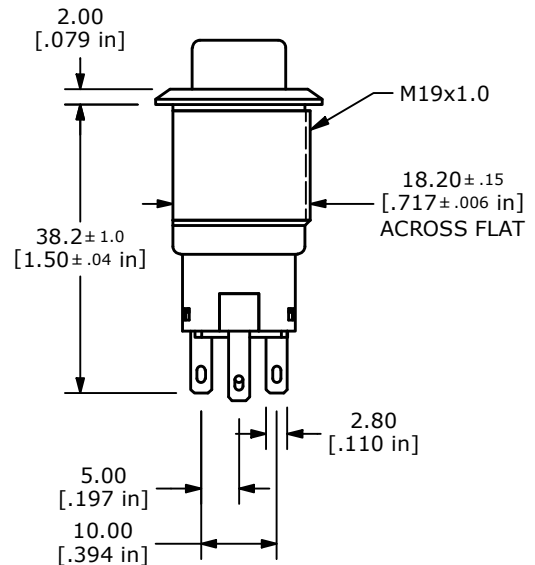
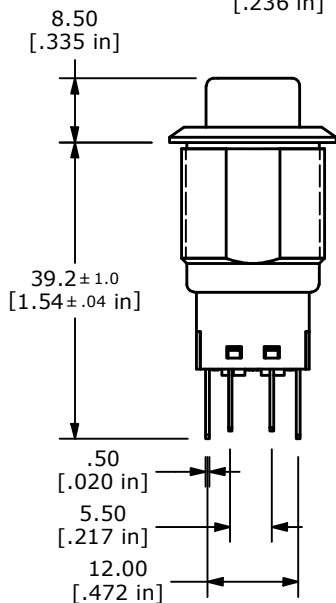
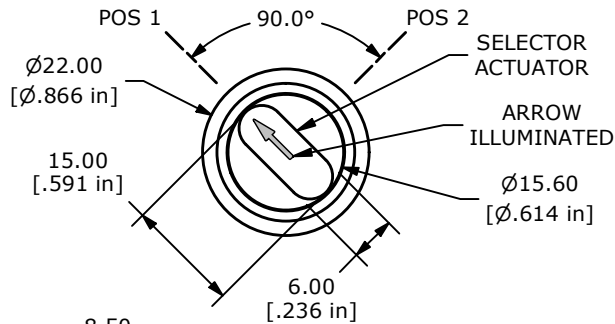
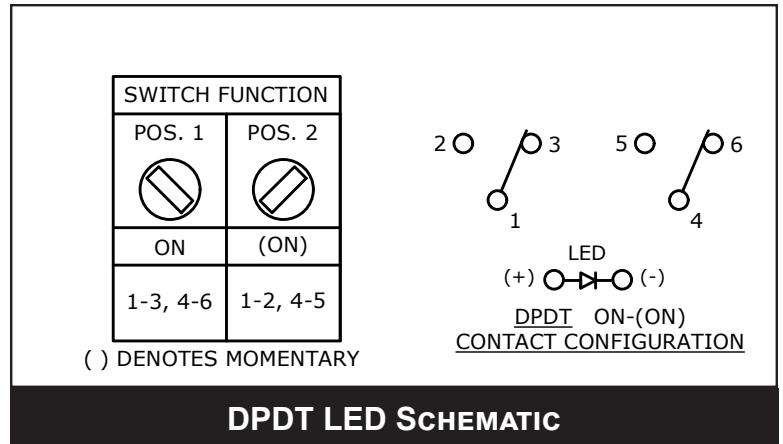
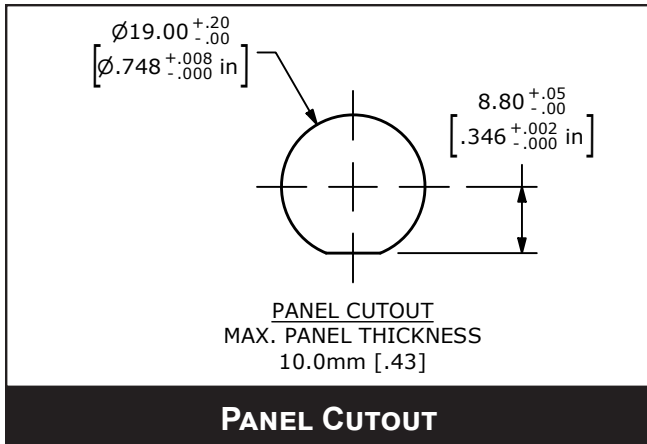
PVK4 SERIES ANTI-VANDAL SWITCH

BODY DIMENSIONS ILLUMINATED ARROW



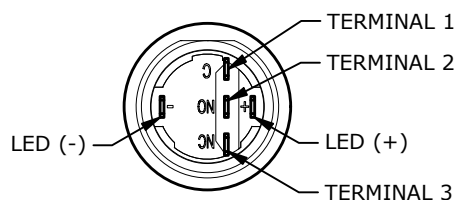
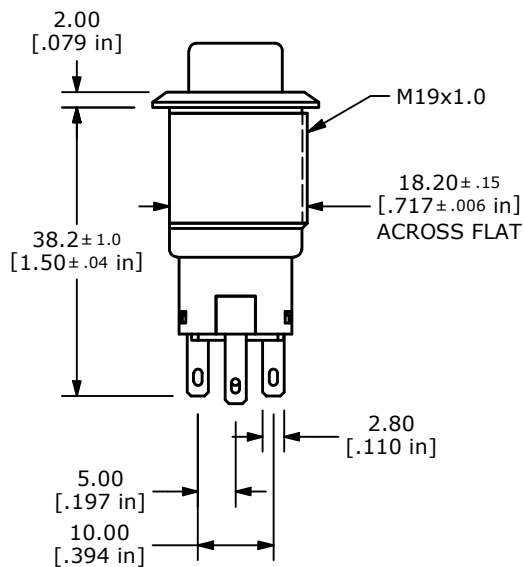
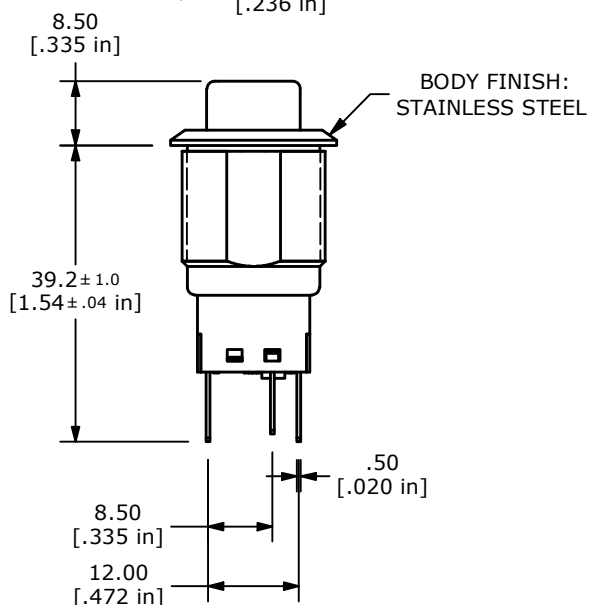
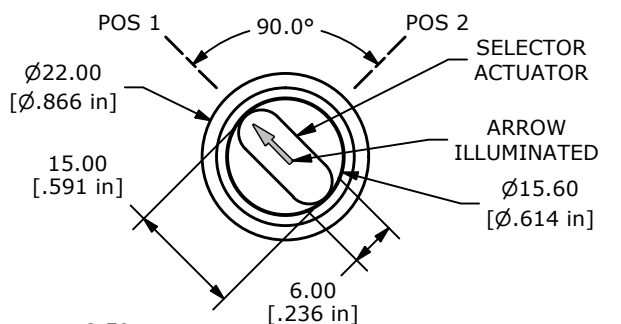
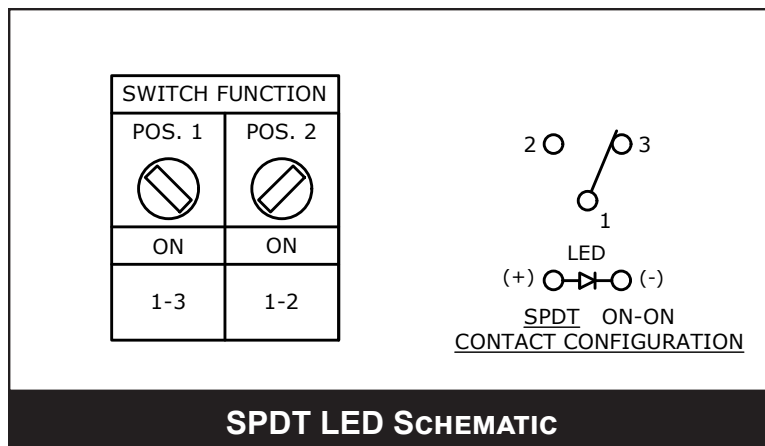
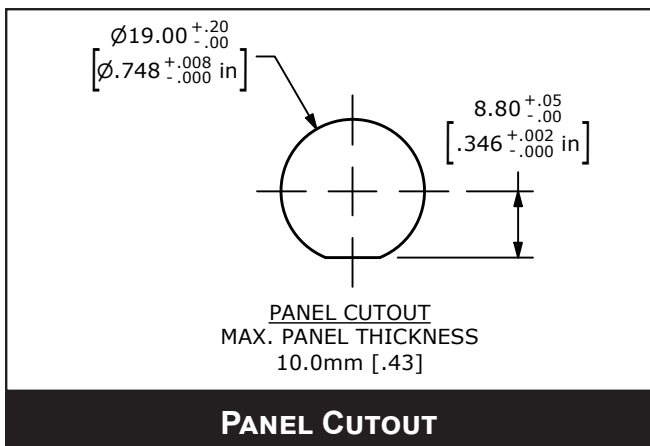
PVK4 SERIES ANTI-VANDAL SWITCH

BODY DIMENSIONS ILLUMINATED ARROW



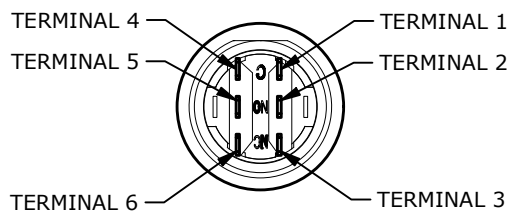
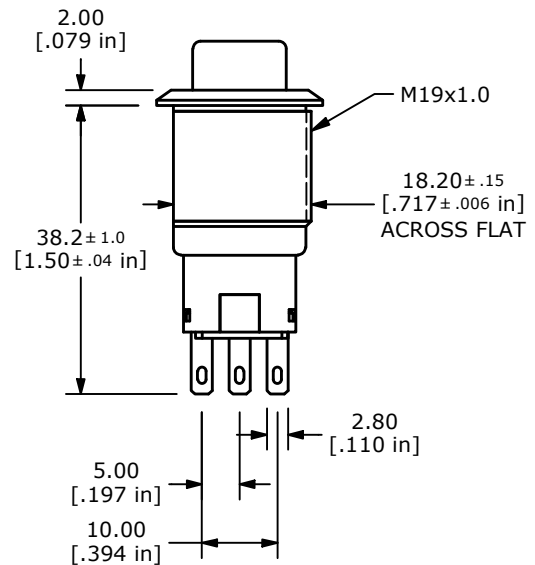
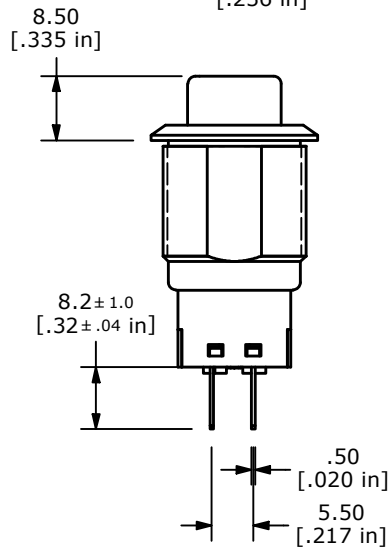
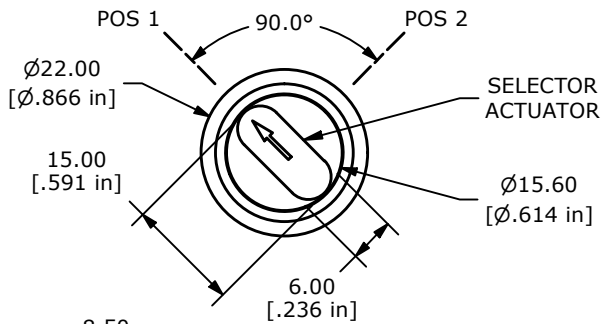
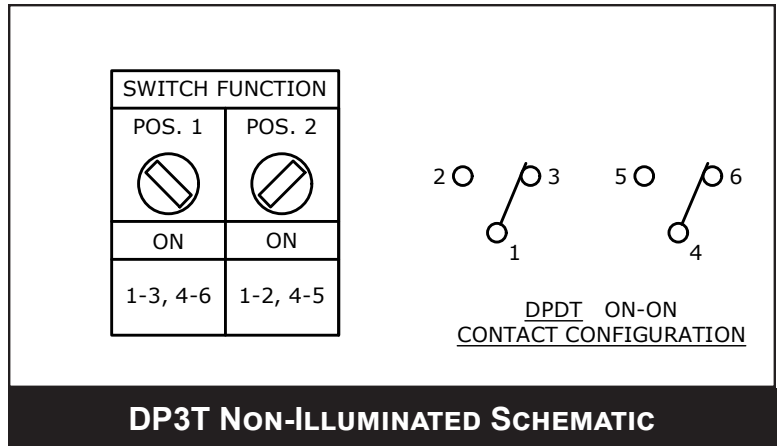
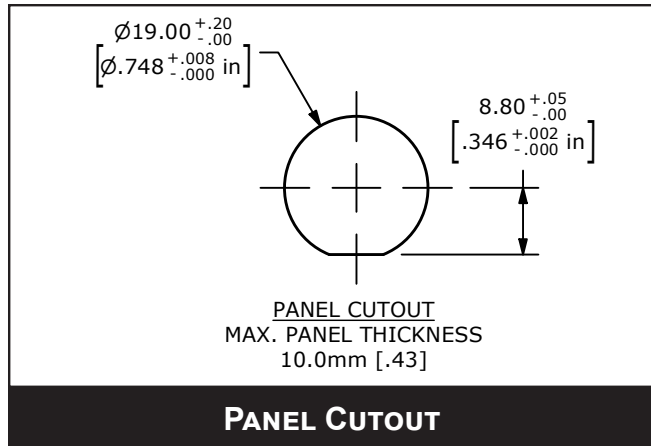
PVK4 SERIES ANTI-VANDAL SWITCH

BODY DIMENSIONS ILLUMINATED ARROW



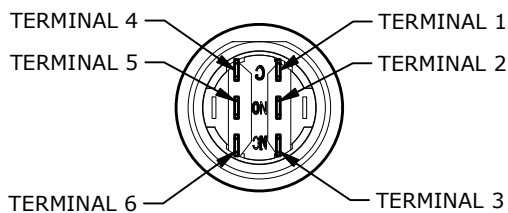
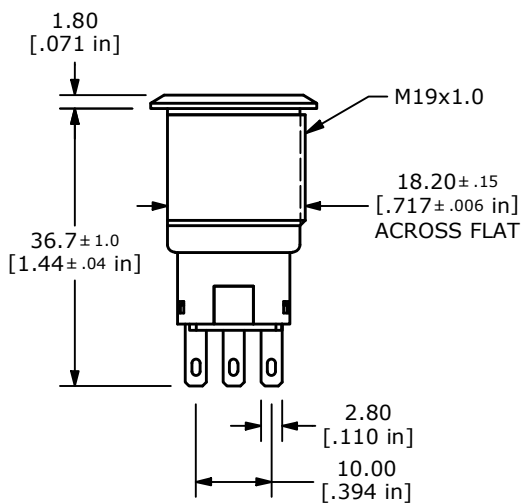
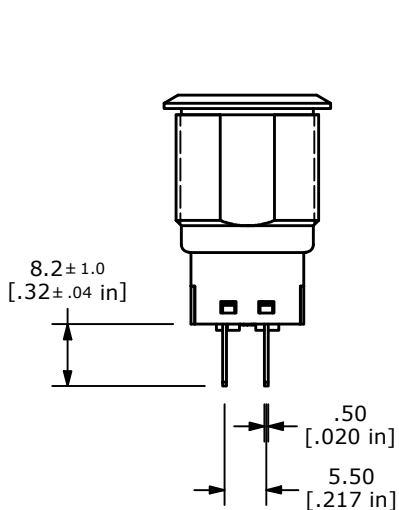
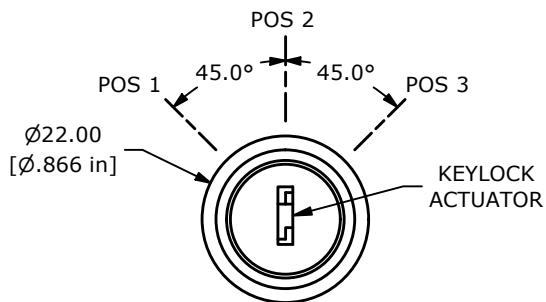
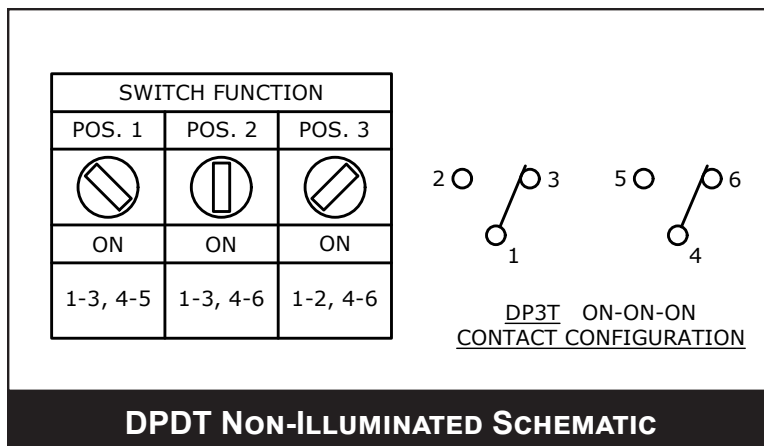
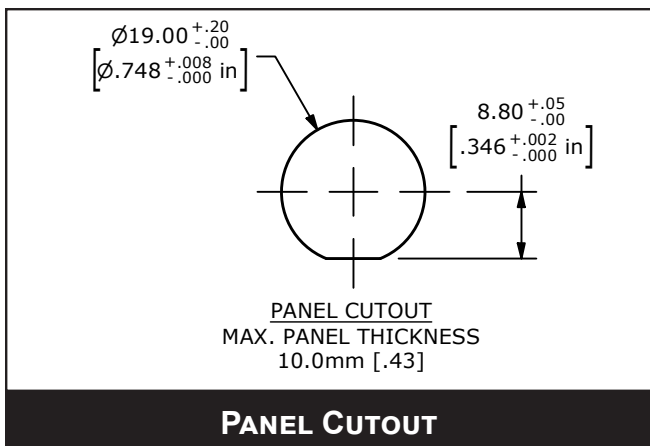
PVK4 SERIES ANTI-VANDAL SWITCH

BODY DIMENSIONS ARROW SELECTOR



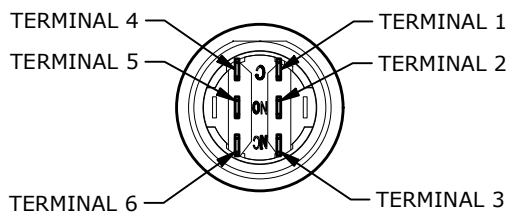
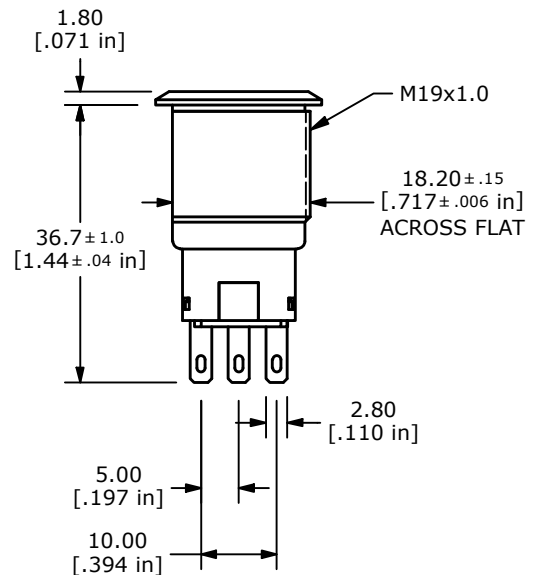
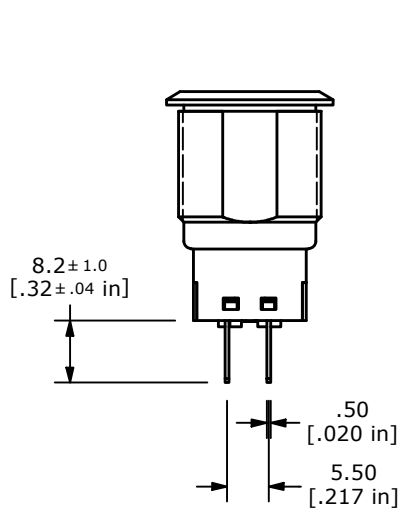
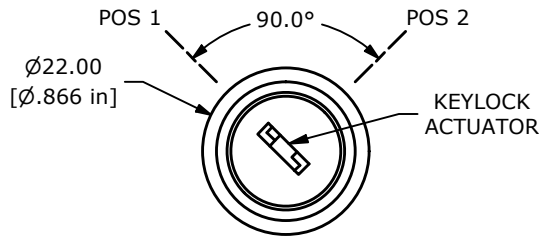
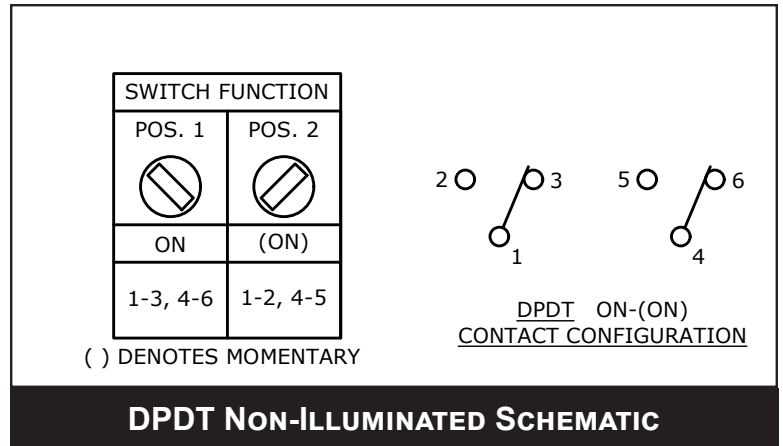
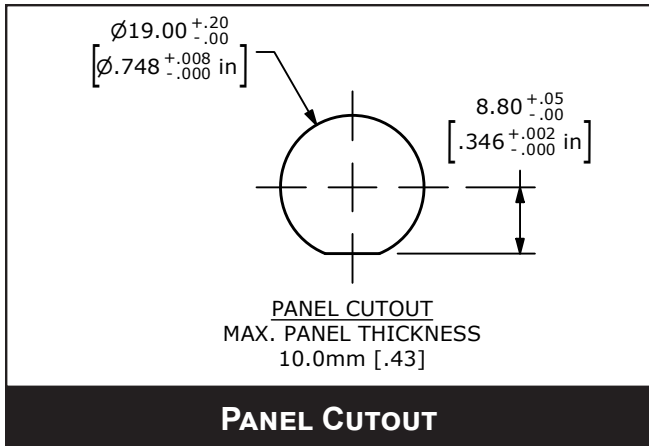
PVK4 SERIES ANTI-VANDAL SWITCH

BODY DIMENSIONS KEYLOCK SELECTOR



PVK4 SERIES ANTI-VANDAL SWITCH

BODY DIMENSIONS KEYLOCK SELECTOR



PVK4 SERIES ANTI-VANDAL SWITCH

BODY DIMENSIONS KEYLOCK SELECTOR

