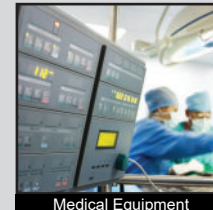
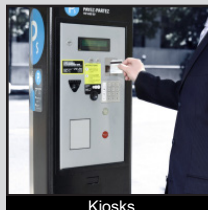


PVB3 SERIES ANTI-VANDAL SWITCH

ANTI-VANDAL SWITCHES
DETECTOR SWITCHES
DIP SWITCHES
KEYLOCK SWITCHES
NAVIGATION SWITCHES
PUSHBUTTON SWITCHES
ROCKER SWITCHES
ROTARY SWITCHES
SLIDE SWITCHES
SNAP ACTION SWITCHES
TACTILE SWITCHES
TOGGLE SWITCHES
CAP OPTIONS



APPLICATIONS / MARKETS



RoHS

SPECIFICATIONS

Electrical Rating: 2A, 24VDC. 0.5A, 220VAC
Mechanical Life: 1,000,000 Cycles (Momentary)
 500,000 Cycles (Latching)
Electrical Life: 50,000 Cycles
Contact Resistance: 50mΩ Max.
Insulation Resistance: 1000 MΩ Min. @ 500VDC
Dielectric Strength: 1,500VAC
Operating/Storage Temperature: -25°C to 55°C
Travel: 3.0mm
Moisture Protection: IP65
Contact Arrangement: SPDT
Actuation Force: 2.5N
Panel Thickness: 1-7mm

FEATURES & BENEFITS

- 16mm panel cutout
- Ring illumination option
- Multiple LED color options
- IP65 rated
- Momentary or Latching functions

PART NUMBER CONFIGURATOR

Series	Actuator Options	Terminal Options	Function Options	Rating Options	Body Finish Options	Actuator Finish Options	Contact Material Options	Lens Style Option	LED-Color Options	Illumination Voltage Options
PVB3	F - Flat H - High	2 - Solder	B - 1P On - (On)* 3 - 1P On - On	0 - 2A, 24VDC. 0.5A, 220VAC	S - Stainless Steel 1 - Black Anodized	S - Stainless Steel 1 - Black Anodized	NONE - Silver G - Gold	NONE - Non-Illuminated 3 - Ring Illumination 6 - Ring / Power symbol	NONE - Non-Illuminated 0 - White 1 - Red 2 - Orange 3 - Green 4 - Blue 5 - Yellow R - RGB Common Cathode RA - RGB Common Anode	NONE - Non-Illuminated 1 - Base Voltage† 3 - 6V 4 - 12V 5 - 24V 6 - 125V 7 - 250V

NOTES:

* (ON) Denotes function is momentary

† Base voltage on LEDs:

1.8V @ 20mA for Red, Yellow and Orange LED colors

2.8V @ 20mA for Blue, Green and White LED colors

Specifications subject to change without notice 4.1.2024



E-SWITCH®

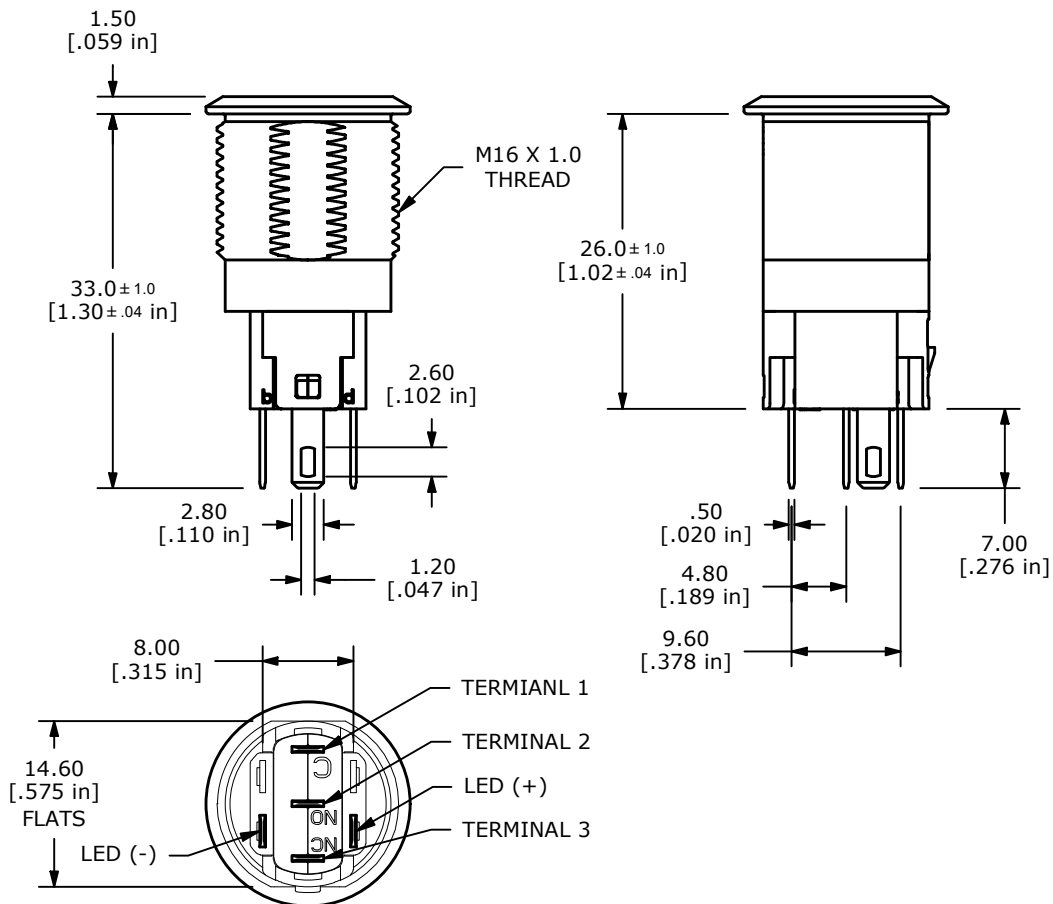
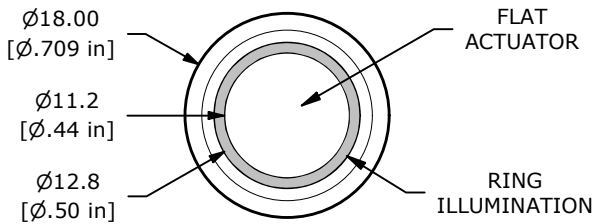
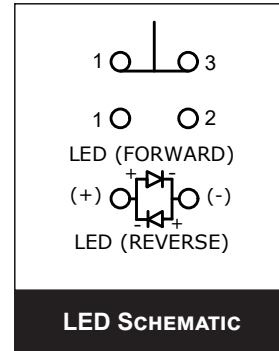
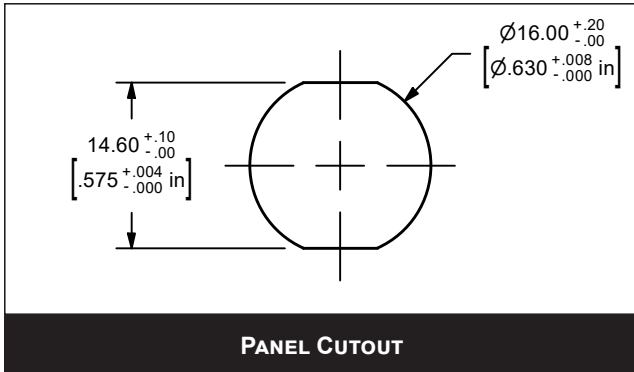
www.e-switch.com

800.867.2717

1

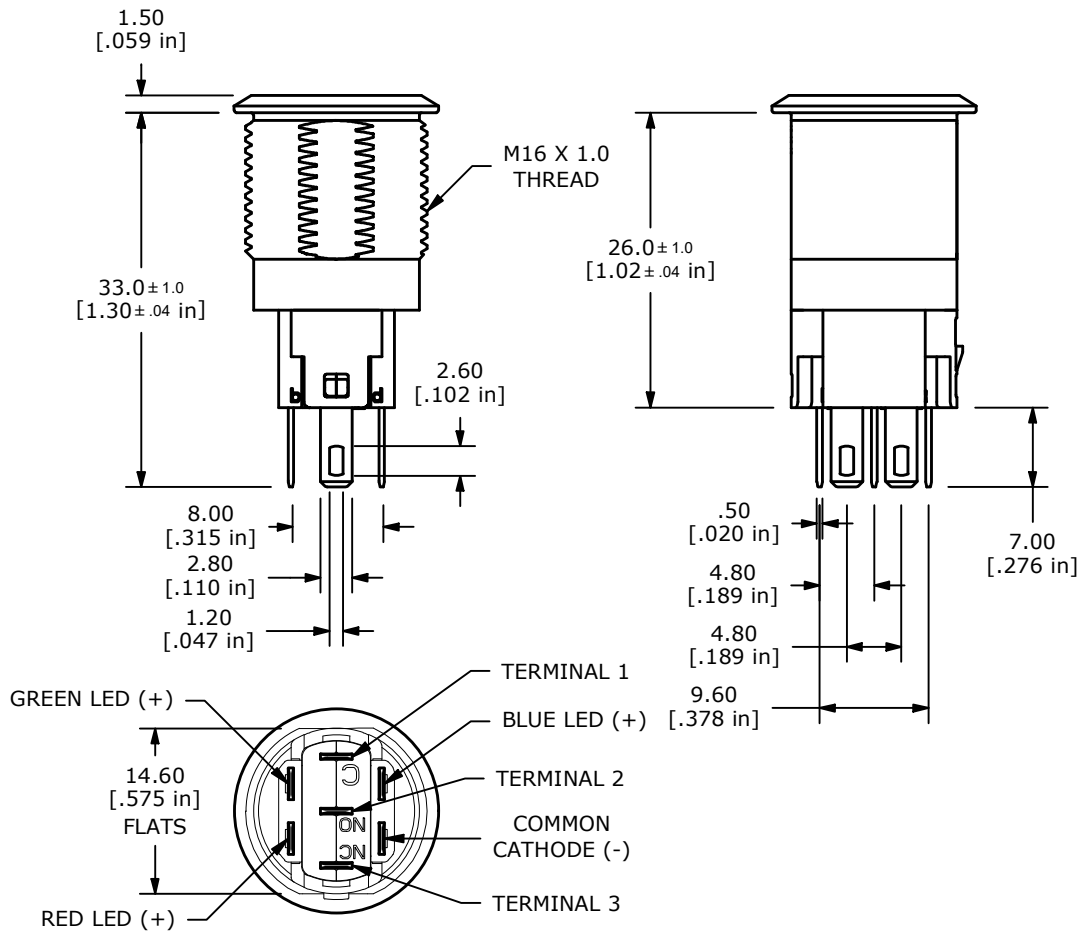
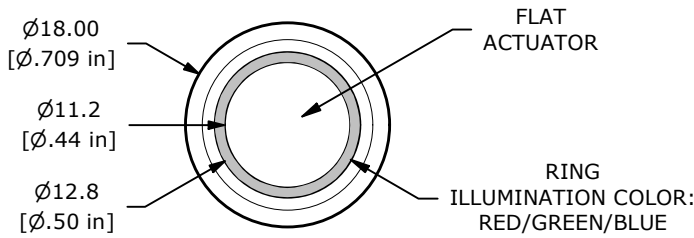
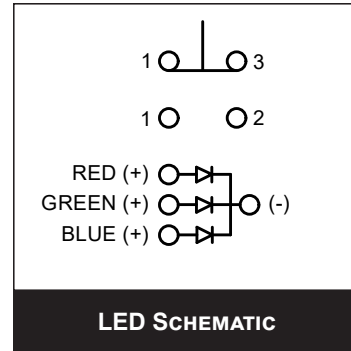
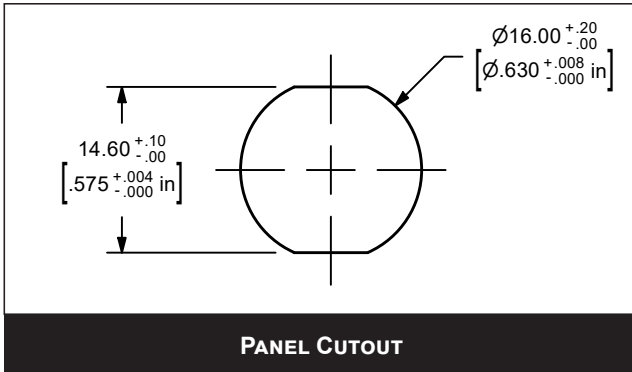
PVB3 SERIES ANTI-VANDAL SWITCH

FLAT ACTUATOR LED ILLUMINATED RING BODY DIMENSIONS



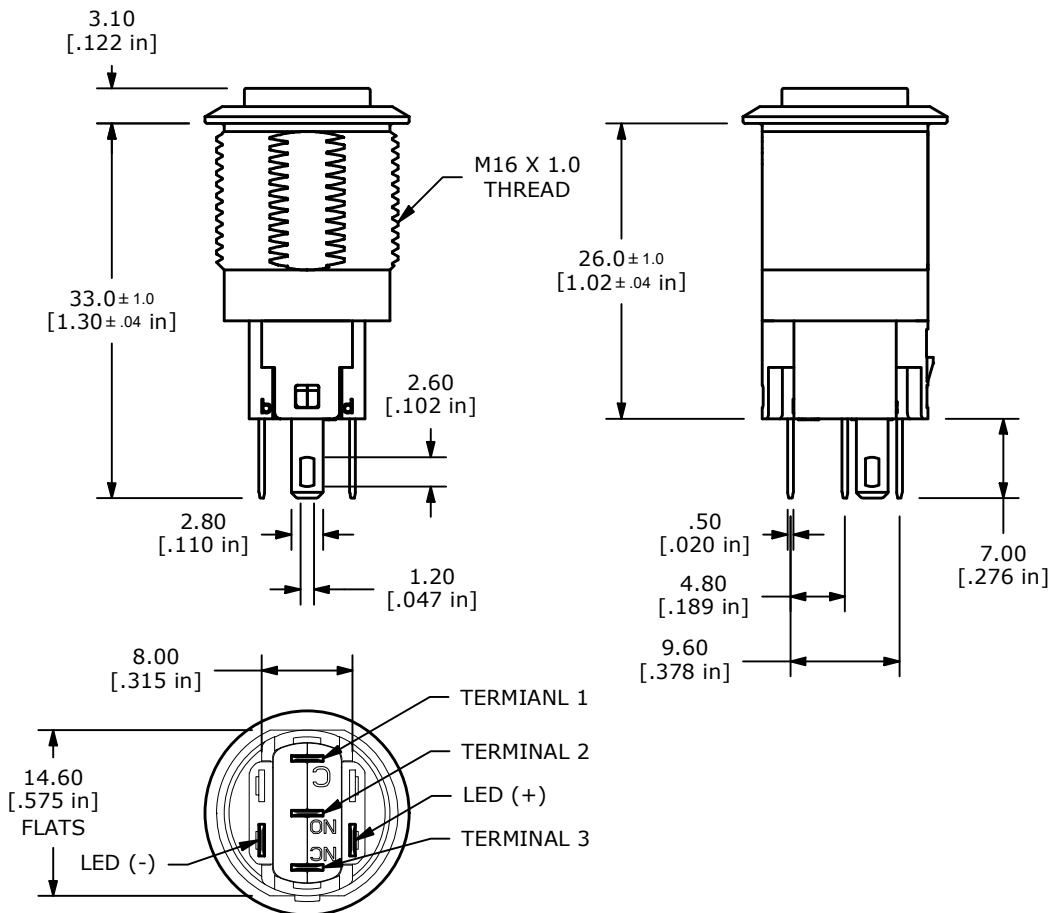
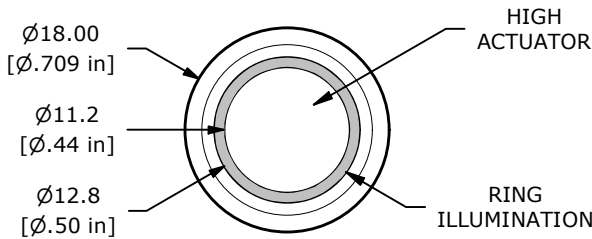
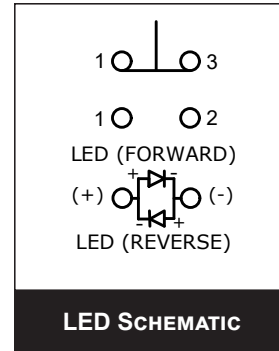
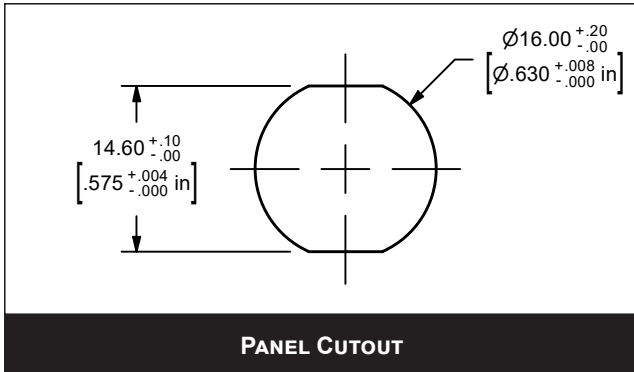
PVB3 SERIES ANTI-VANDAL SWITCH

FLAT ACTUATOR RGB ILLUMINATED RING BODY DIMENSIONS



PVB3 SERIES ANTI-VANDAL SWITCH

HIGH ACTUATOR LED ILLUMINATED RING BODY DIMENSIONS



PVB3 SERIES ANTI-VANDAL SWITCH

FLAT ACTUATOR LED ILLUM RING/POWER BODY DIMENSIONS

