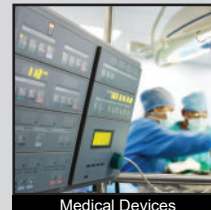
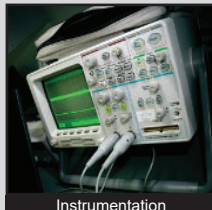
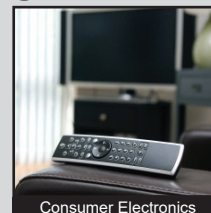
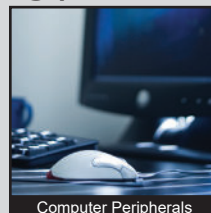
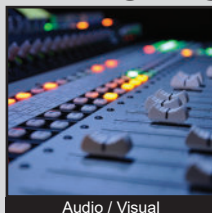


# TL3301 SERIES TACT SWITCH

ANTI-VANDAL SWITCHES  
 DETECTOR SWITCHES  
 DIP SWITCHES  
 KEYLOCK SWITCHES  
 NAVIGATION SWITCHES  
 PUSHBUTTON SWITCHES  
 ROCKER SWITCHES  
 ROTARY SWITCHES  
 SLIDE SWITCHES  
 SNAP ACTION SWITCHES  
**TACTILE SWITCHES**  
 TOGGLE SWITCHES  
 CAP OPTIONS



## APPLICATIONS / MARKETS



**RoHS**

## SPECIFICATIONS

**Contact Rating:** 50mA @ 12VDC  
**Electrical Life:** 100,000  
**Contact Resistance:** 100mΩ Max  
**Insulation Resistance:** 100MΩ Min @ 500VDC  
**Dielectric Strength:** 250VAC for 1 Minute  
**Operating Temperature:** -40°C to 85°C  
**Storage Temperature:** -40°C to 85°C  
**Travel:** 0.25mm  
**Contact Arrangement:** SPST  
**Actuation Force:** 100gf; 160gf; 260gf

## FEATURES & BENEFITS

- Single pole single throw
- Surface mount
- 6mm x 6mm
- Cap options
- Multiple actuator options

## PART NUMBER CONFIGURATOR

Series

TL3301

Actuator Options

A - 5.0mm (no cap)  
 B - 9.5mm (no cap)  
 C - 8.0mm (no cap)  
 D - 13.0mm (no cap)  
 E - 7.3mm (no cap)  
 F - 7.0mm (no cap)  
 N - 4.3mm (no cap)  
 P - 8.5mm (no cap)  
 SP - 2.8mm square cap  
 T - 2.4mm square cap

Actuation Force

F100 - 100 gf  
 F160 - 160 gf  
 F260 - 260 gf

Contact Material

Q - Silver  
 R - Gold

Termination

G - Gullwing  
 J - J-lead

Cap Options

Order Caps Separately

Specifications subject to change without notice 1.19.2021



**E-SWITCH®**

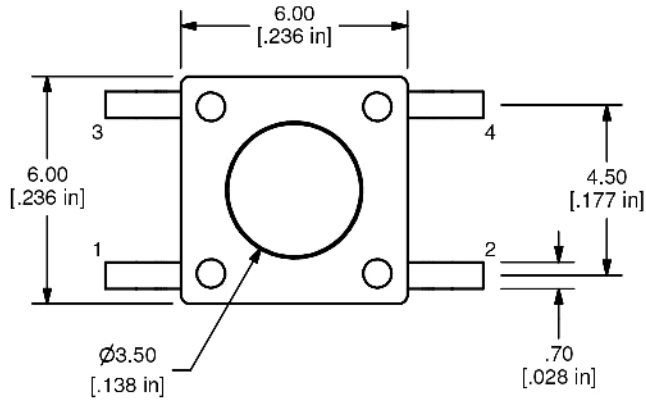
www.e-switch.com

800.867.2717

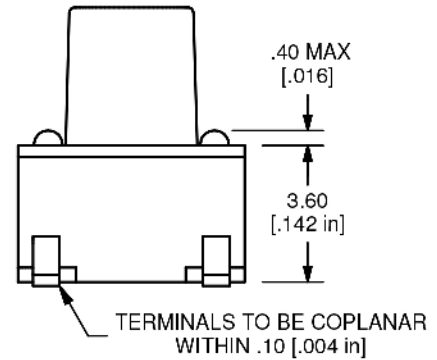
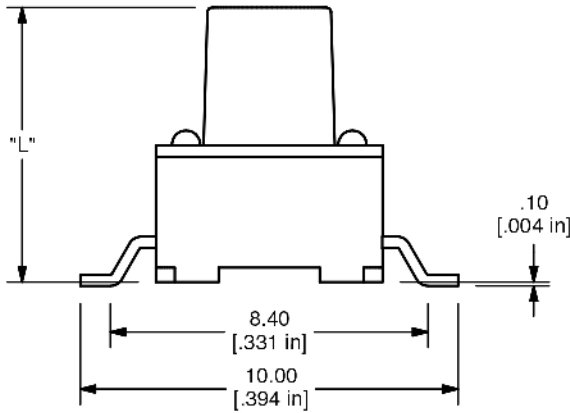
1

# TL3301 SERIES TACT SWITCH

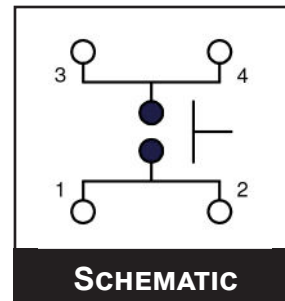
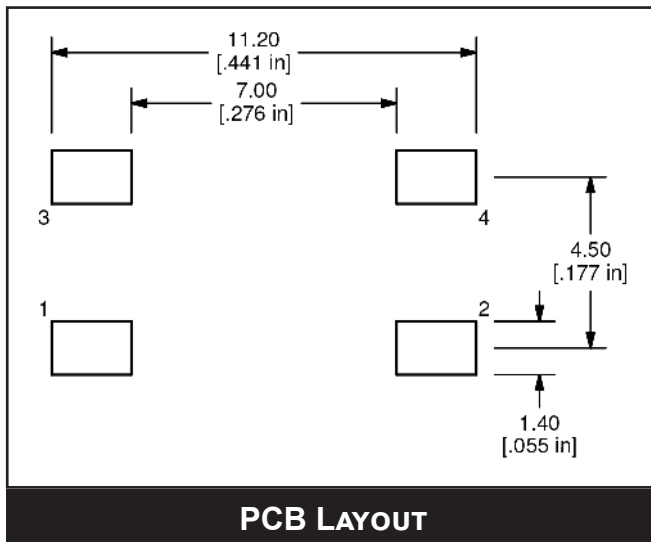
## TERMINATION OPTIONS



ACTUATOR OPTION	"L" DIMENSION
N	4.3mm
A	5.0mm
E	7.3mm
F	7.0mm
C	8.0mm
P	8.5mm
B	9.5mm
D	13.0mm



### GULLWING TERMINATION

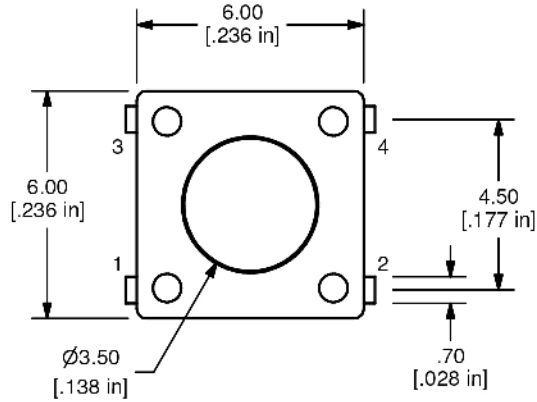


ANTI-VANDAL SWITCHES  
 DETECTOR SWITCHES  
 DIP SWITCHES  
 KEYLOCK SWITCHES  
 NAVIGATION SWITCHES  
 PUSHBUTTON SWITCHES  
 ROCKER SWITCHES  
 ROTARY SWITCHES  
 SLIDE SWITCHES  
 SNAP ACTION SWITCHES  
 TACTILE SWITCHES  
 TOGGLE SWITCHES  
 CAP OPTIONS

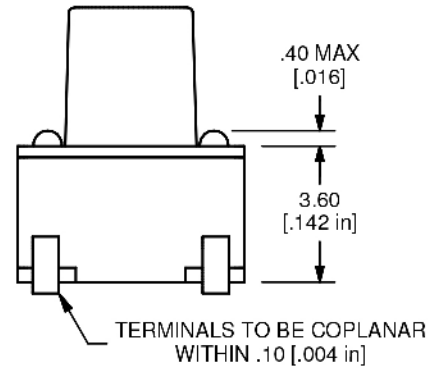
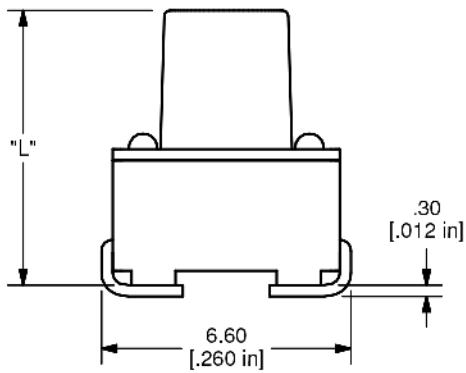


# TL3301 SERIES TACT SWITCH

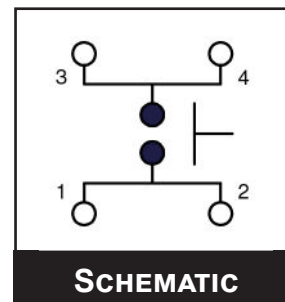
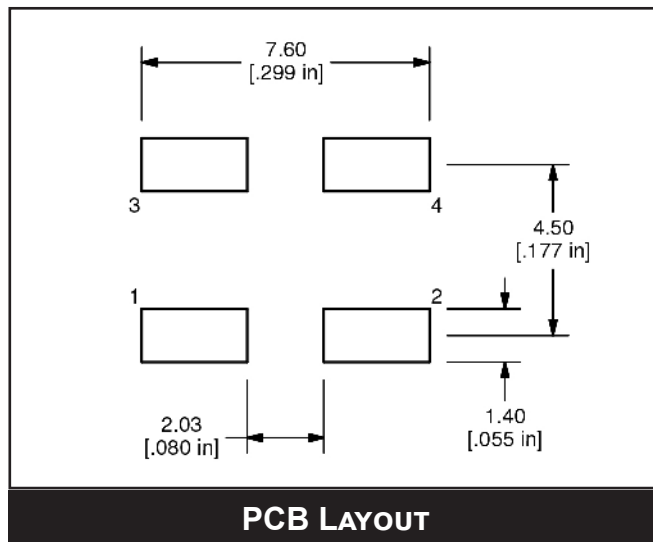
## TERMINATION OPTIONS



ACTUATOR OPTION	"L" DIMENSION
N	4.3mm
A	5.0mm
E	7.3mm
F	7.0mm
C	8.0mm
P	8.5mm
B	9.5mm
D	13.0mm

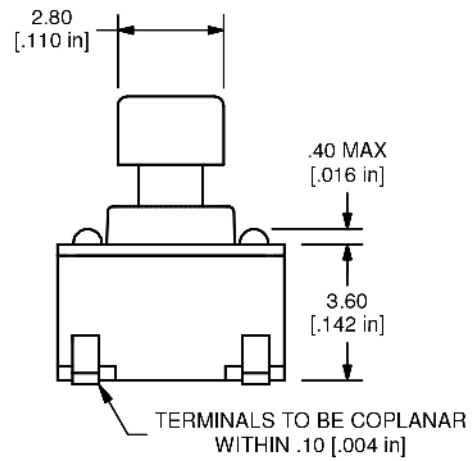
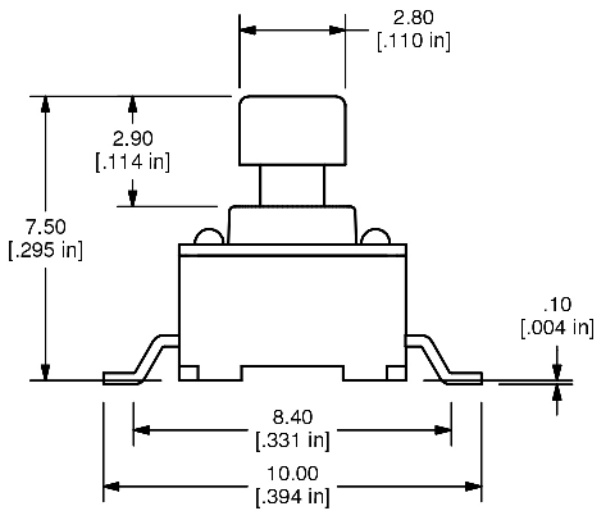
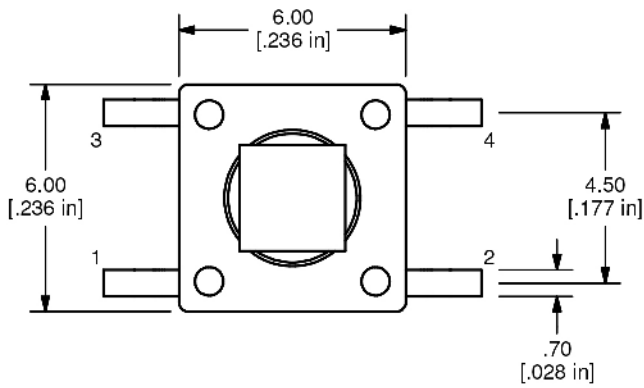


### J-LEAD TERMINATION

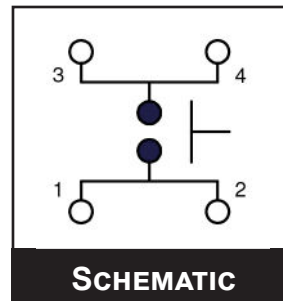
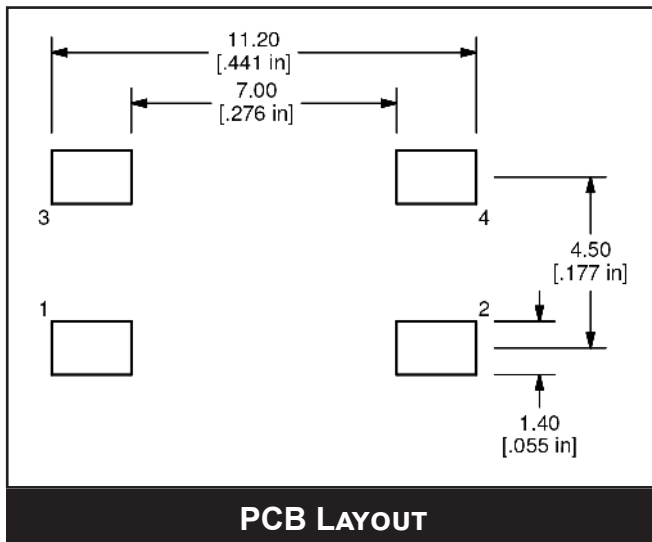


# TL3301 SERIES TACT SWITCH

## ACTUATOR OPTIONS



SP ACTUATOR  
(GULLWING TERMINATION SHOWN)

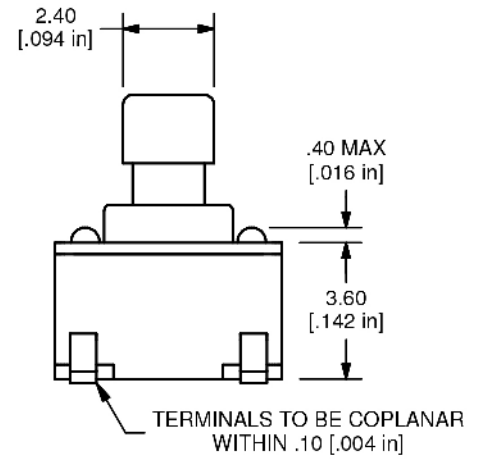
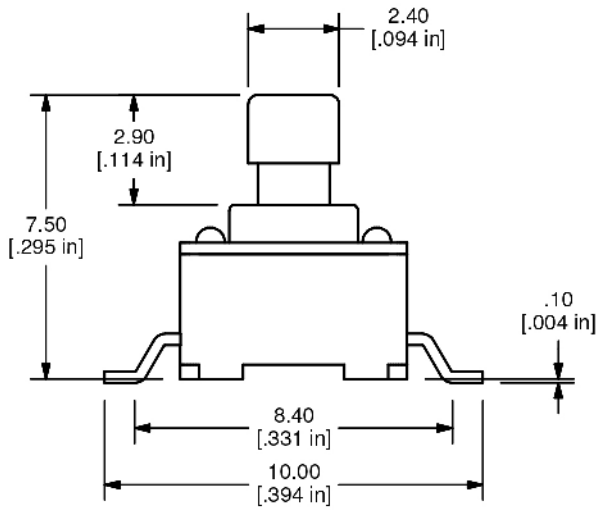
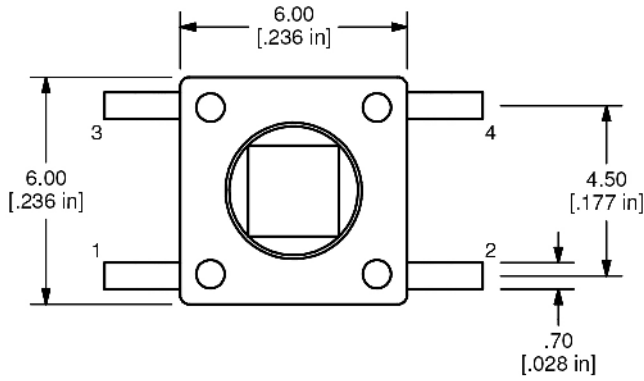


- ANTI-VANDAL SWITCHES
- DETECTOR SWITCHES
- DIP SWITCHES
- KEYLOCK SWITCHES
- NAVIGATION SWITCHES
- PUSHBUTTON SWITCHES
- ROCKER SWITCHES
- ROTARY SWITCHES
- SLIDE SWITCHES
- SNAP ACTION SWITCHES
- TACTILE SWITCHES**
- TOGGLE SWITCHES
- CAP OPTIONS



# TL3301 SERIES TACT SWITCH

## TERMINATION OPTIONS



T ACTUATOR  
(GULLWING TERMINATION SHOWN)

