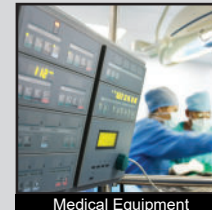
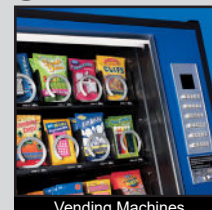
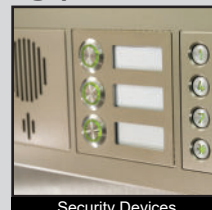


TD1250 SERIES DETECTOR SWITCH

ANTI-VANDAL SWITCHES
 DETECTOR SWITCHES
 DIP SWITCHES
 KEYLOCK SWITCHES
 NAVIGATION SWITCHES
 PUSHBUTTON SWITCHES
 ROCKER SWITCHES
 ROTARY SWITCHES
 SLIDE SWITCHES
 SNAP ACTION SWITCHES
 TACTILE SWITCHES
 TOGGLE SWITCHES
 CAP OPTIONS



APPLICATIONS / MARKETS



RoHS

SPECIFICATIONS

Contact Rating: 1mA 5VDC ~ 50mA 16VDC
Contact Resistance: Solder: 1Ω MAX. (Initial)
 PCB: 500 mΩ MAX. (Initial)
Contact Arrangement: SPST N.O.
Insulation Resistance: 100 MΩ Min. @ 500VDC
Dielectric Strength: 500VAC per minute
Electrical Life: 300,000 Cycles MIN. (5VDC 1mA)
 200,000 Cycles MIN. (12VDC 50mA)
 150,000 Cycles MIN. (16VDC 50mA)
Mechanical Life: 500,000 Cycles MIN.
Operating/Storage Temperature: -40°C to 85°C
Moisture Protection: IP67
Actuator Force: 160gf MAX.

FEATURES & BENEFITS

- Compact size
- IP67 ingress protection
- PCB terminal type
- Multiple actuator options

PART NUMBER CONFIGURATOR

Series	Acuator	Actuator Force	Contact Material	Termination
<input type="text" value="TD1250"/>	<input type="text" value="A"/> A - Pin Plunger B - Lever 1 (straight) C - Lever 2 (S shape)	<input type="text" value="F160"/> F160 - 160gf	<input type="text" value="Q"/> Q - Silver	<input type="text" value="S1"/> S1 - Solder P1 - PCB

Specifications subject to change without notice 2.7.2023



E-SWITCH®

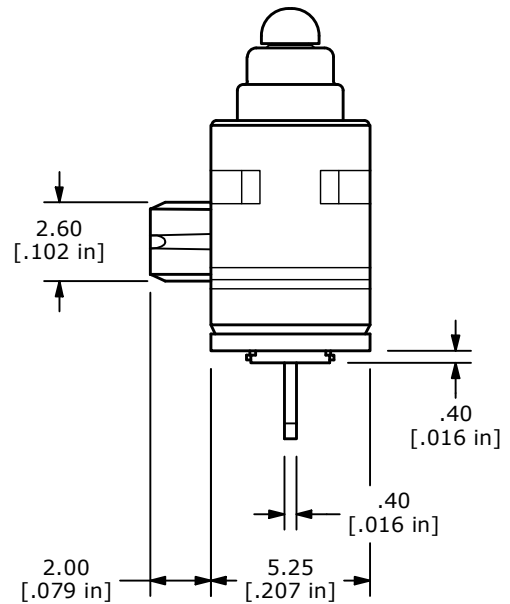
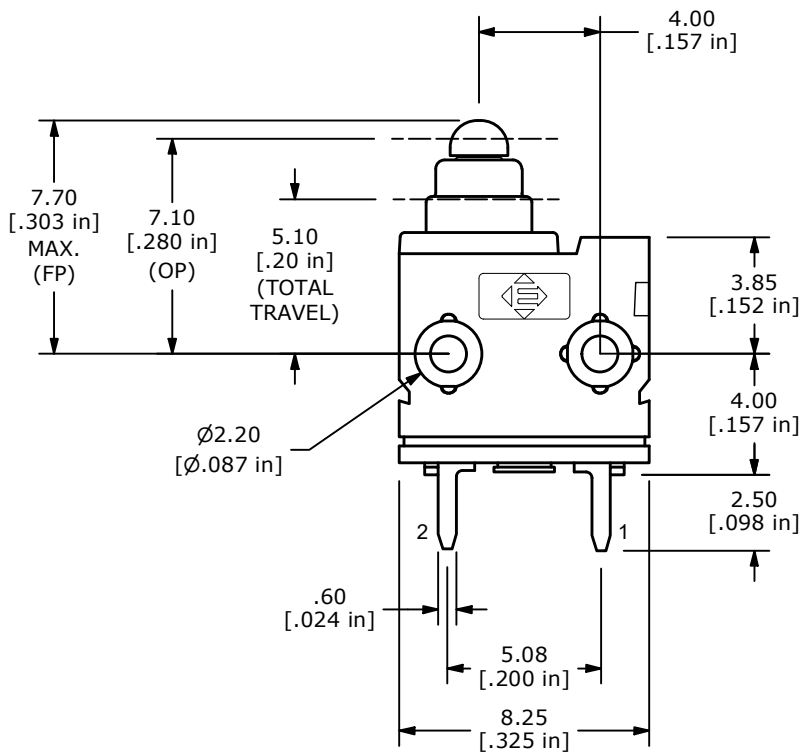
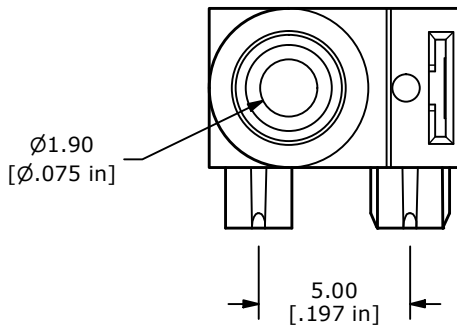
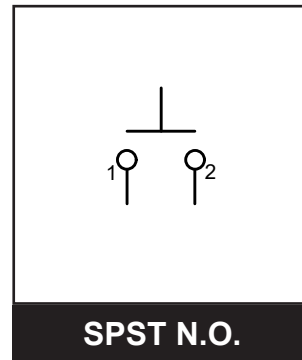
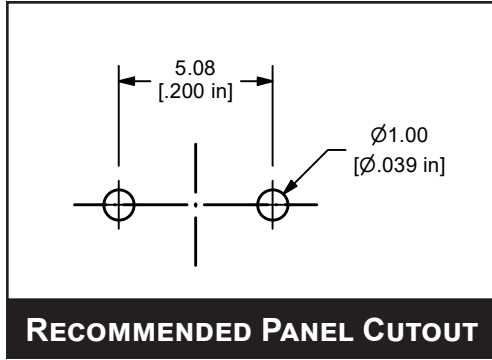
www.e-switch.com

800.867.2717

1

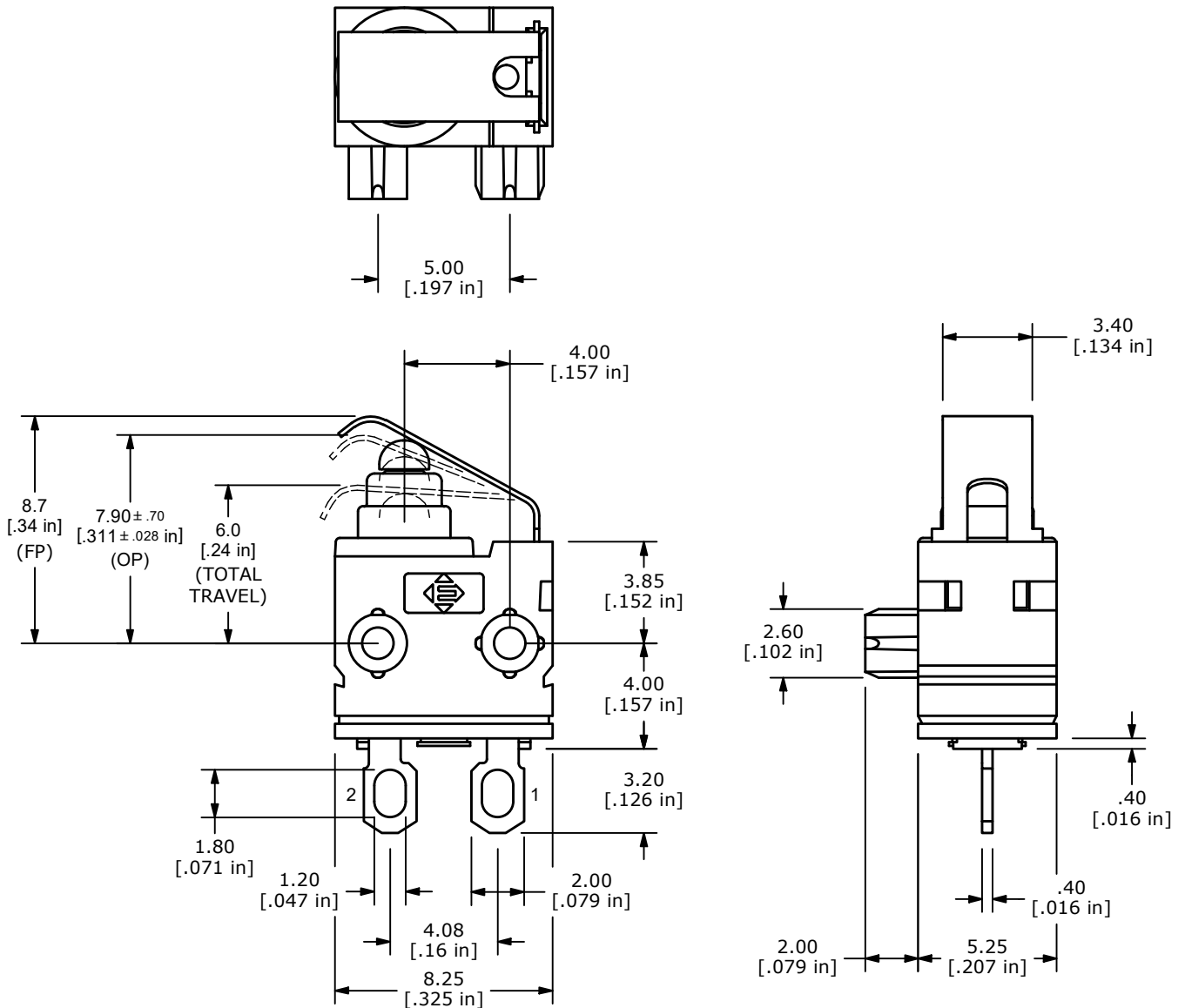
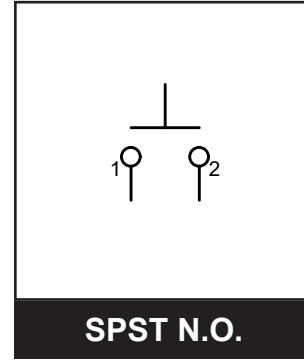
TD1250 SERIES DETECTOR SWITCH

BODY DIMENSIONS PIN WITH PCB TERMINALS



TD1250 SERIES DETECTOR SWITCH

BODY DIMENSIONS LEVER 1 WITH SOLDER TERMINALS



TD1250 SERIES DETECTOR SWITCH

BODY DIMENSIONS LEVER 2 WITH PCB TERMINALS

