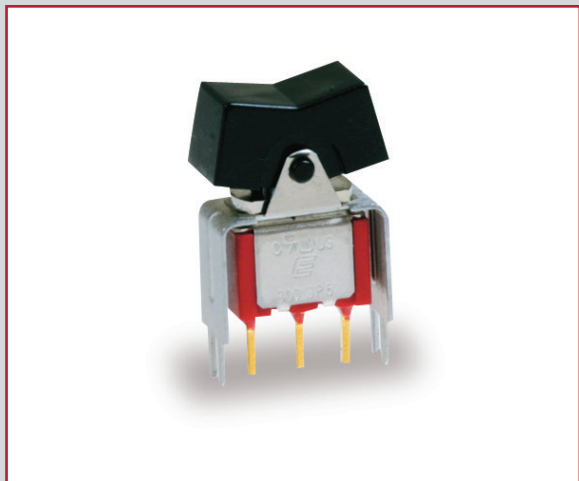


# 300 SERIES ROCKER SWITCH

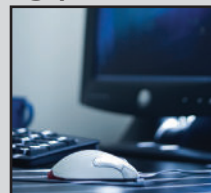
ANTI-VANDAL SWITCHES  
DETECTOR SWITCHES  
DIP SWITCHES  
KEYLOCK SWITCHES  
NAVIGATION SWITCHES  
PUSHBUTTON SWITCHES  
ROCKER SWITCHES  
ROTARY SWITCHES  
SLIDE SWITCHES  
SNAP ACTION SWITCHES  
TACTILE SWITCHES  
TOGGLE SWITCHES  
CAP OPTIONS



## APPLICATIONS / MARKETS



Testing Equipment



Computer Peripherals



Consumer Electronics



Telecommunication



Instrumentation



Medical Equipment

# RoHS

## SPECIFICATIONS

### Contact Rating:

Silver: 5A @ 120VAC or 28 VDC  
2A @ 250VAC

Gold: 0.4VA @ 20V Max (AC or DC)

**Electrical Life:** 6,000 make or break cycles at full load

**Mechanical Life:** 40,000 make or break cycles

**Contact Resistance:** 10mΩ max. initial @ 2-4VDC,  
100mA for both silver and gold plated contacts

**Insulation Resistance:** 1,000MΩ min.

**Dielectric Strength:** 1,000 V RMS @ sea level

**Operating Temperature:** -40°C to 85°C

## FEATURES & BENEFITS

- Multiple rocker & paddle options
- Up to 4 poles
- Multiple termination options
- Snap-in panel mount option available

## PART NUMBER CONFIGURATOR

Series	Model No.	Acuator	Actuator Color**	Termination	Contact Material	Seal	Frame Color
300	SP1 SP2 SP3 SP4 SP5 DP1 DP2 DP3 DP4 DP5 DP6 DP7 DP8 3P1 3P2 3P3 3P4 3P5 4P1 4P2 4P3 4P4 4P5 4P6	<u>Panel Mount</u> R1 R2 R3 R4 R6* R7* R8* R9* R11 R16  *Snap-in Panel Mount  <u>PC Mount</u> J1 J2 J3 J4 J5 J6	<u>Panel Mount</u> BLK - Black WHT - White RED - Red YEL - Yellow GRY - Gray  <u>PC Mount</u> BLK - Black WHT - White RED - Red YEL - Yellow GRY - Gray	<u>Panel Mount</u> M1 M3 M51 M52 M53 M54  <u>PC Mount</u> M2 M6 M7 VS2 VS3 VS4 VS5 M61 VS21	Q - Silver R - Gold	E - Epoxy sealed at base of terminal	(R6, R7 Only) BLK - Black WHT - White RED - Red YEL - Yellow GRY - Gray

Specifications subject to change without notice 5.16.2023



E-SWITCH®

www.e-switch.com

800.867.2717

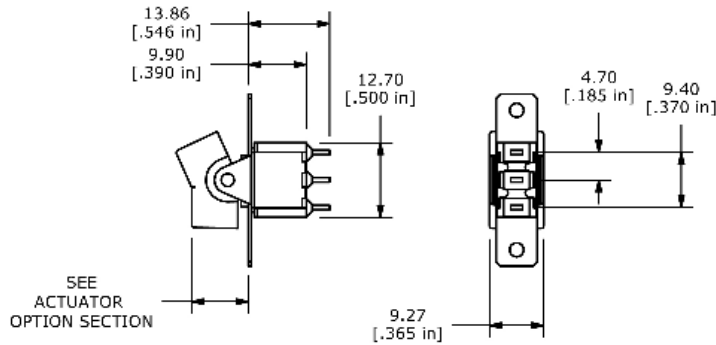
1

# 300 SERIES ROCKER SWITCH

## Switch Functions

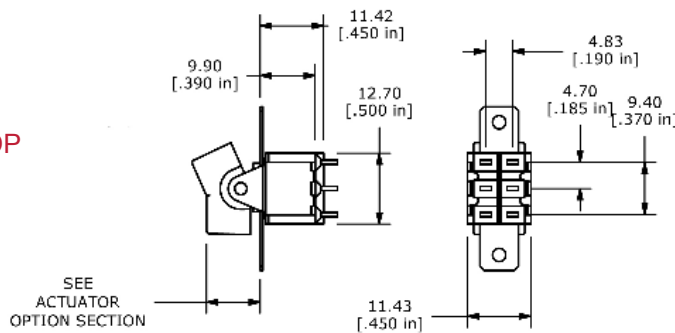
( ) = momentary

### Single Pole - SP



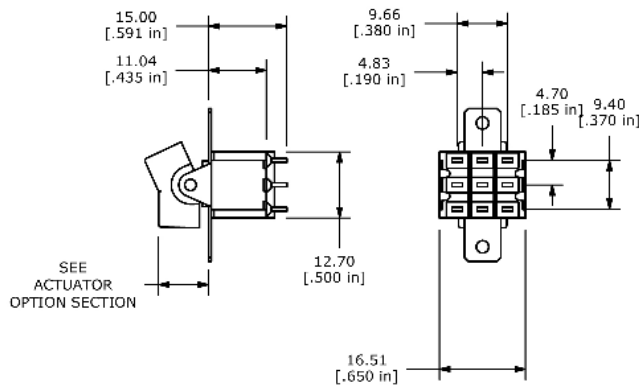
MODEL NO.	POS. 1	POS. 2	POS. 3
SP1	ON	NONE	ON
SP2	ON	NONE	(ON)
SP3	ON	OFF	ON
SP4	(ON)	OFF	(ON)
SP5	ON	OFF	(ON)
Term. Comm.	2-3	OPEN	2-1

### Double Pole - DP



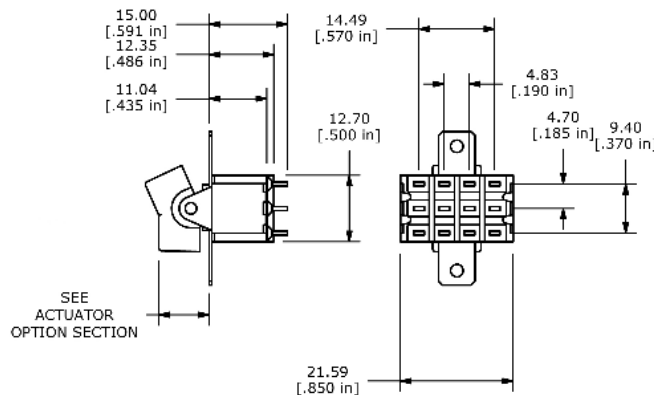
MODEL NO.	POS. 1	POS. 2	POS. 3
DP1	ON	NONE	ON
DP2	ON	NONE	(ON)
DP3	ON	OFF	ON
DP4	(ON)	OFF	(ON)
DP5	ON	OFF	(ON)
DP7	ON	ON	(ON)
DP8	(ON)	ON	(ON)
Term. Comm.	2-3, 5-6	OPEN	2-1, 5-4
Term. Comm.	2-3, 5-6	2-3, 5-4	2-1, 5-4

### Triple Pole - 3P



MODEL NO.	POS. 1	POS. 2	POS. 3
3P1	ON	NONE	ON
3P2	ON	NONE	(ON)
3P3	ON	OFF	ON
3P4	(ON)	OFF	(ON)
3P5	ON	OFF	(ON)
Term. Comm.	2-3, 5-6, 8-9	OPEN	2-1, 5-4, 8-7

### Four Pole - 4P



MODEL NO.	POS. 1	POS. 2	POS. 3
4P1	ON	NONE	ON
4P2	ON	NONE	(ON)
4P3	ON	OFF	ON
4P4	(ON)	OFF	(ON)
4P5	ON	OFF	(ON)
Term. Comm.	2-3, 5-6, 8-9, 11-12	OPEN	2-1, 5-4, 8-7, 11-10
4P6	ON	ON	ON
Term. Comm.	2-3, 5-6, 8-9, 11-12	2-3, 5-4, 8-9, 11-10	2-1, 5-4, 8-7, 11-10

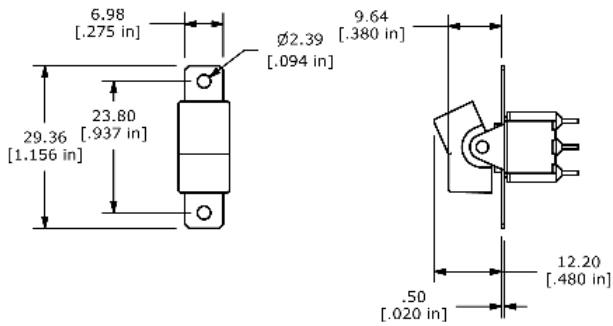


ANTI-VANDAL SWITCHES  
DETECTOR SWITCHES  
DIP SWITCHES  
KEYLOCK SWITCHES  
NAVIGATION SWITCHES  
PUSHBUTTON SWITCHES  
ROCKER SWITCHES  
ROTARY SWITCHES  
SLIDE SWITCHES  
SNAP ACTION SWITCHES  
TACTILE SWITCHES  
TOGGLE SWITCHES  
CAP OPTIONS

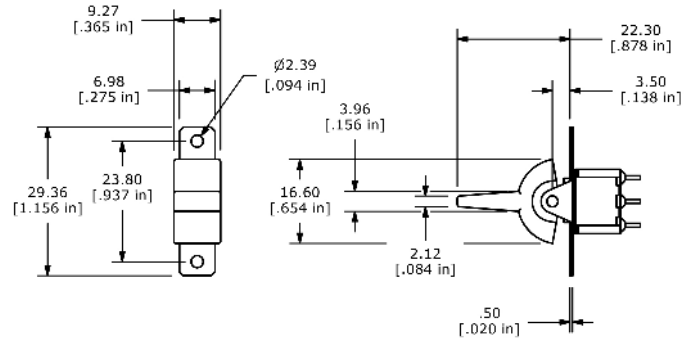
# 300 SERIES ROCKER SWITCH

## Panel Mount Actuator

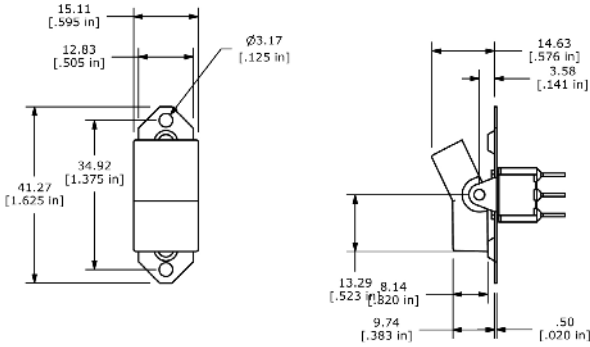
R1 Actuator



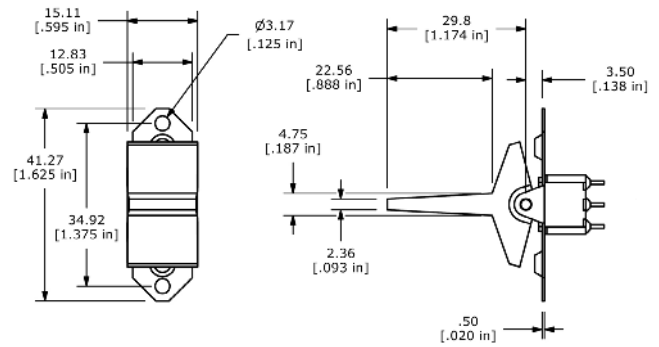
R2 Actuator



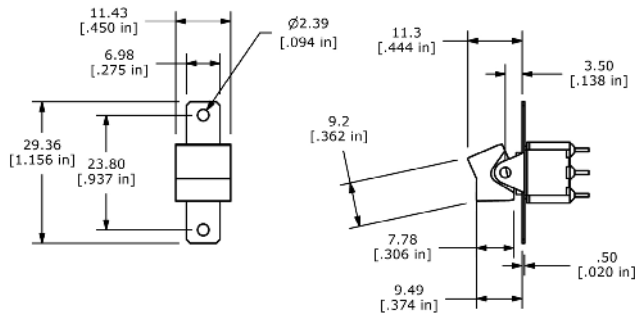
R3 Actuator



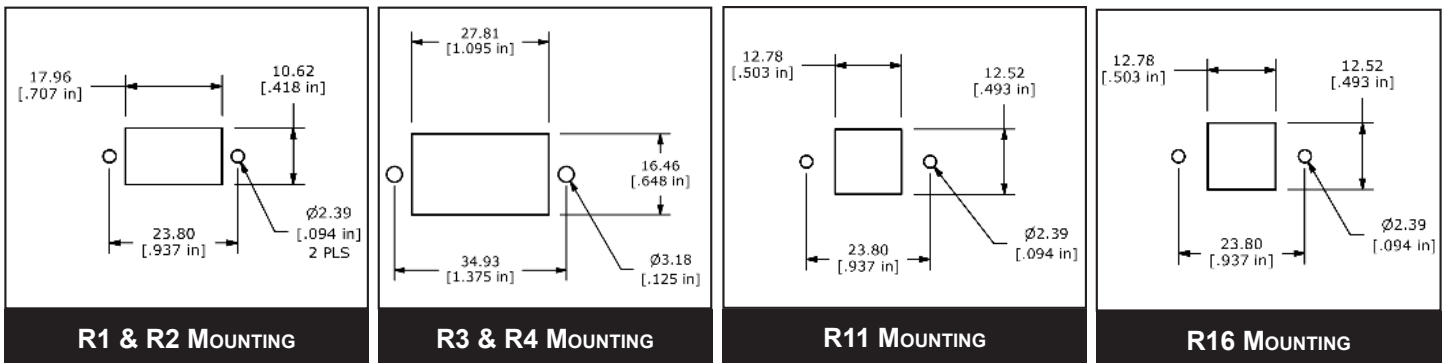
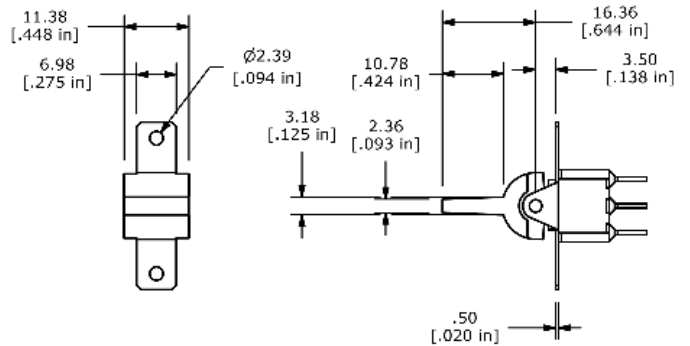
R4 Actuator



R11 Actuator



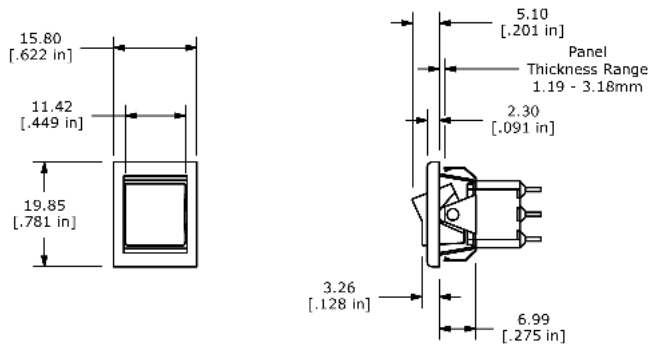
R16 Actuator



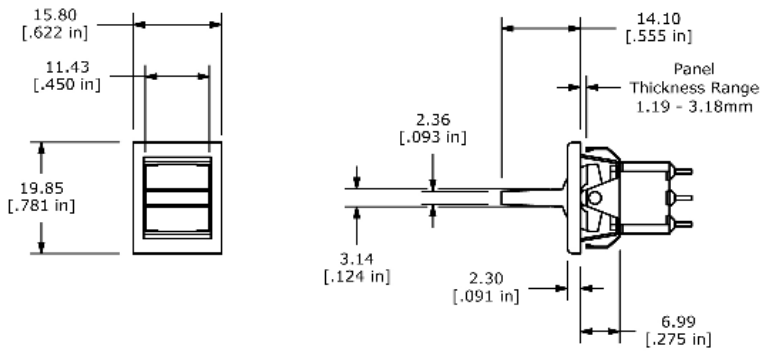
# 300 SERIES ROCKER SWITCH

## Snap-in Panel Mount Actuator

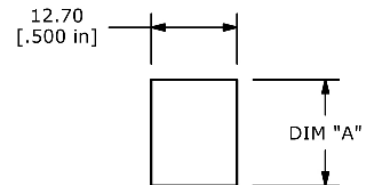
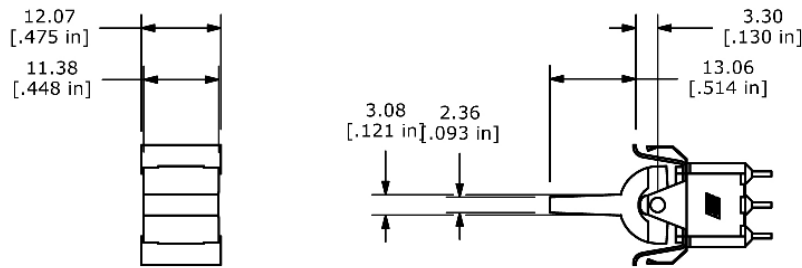
### R6 Actuator



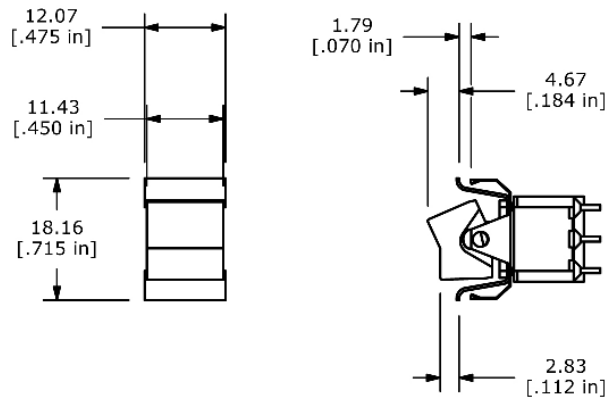
### R7 Actuator



### R8 Actuator



### R9 Actuator



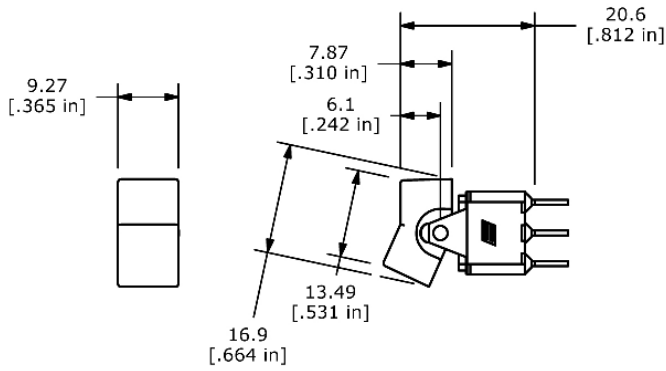
ACTUATOR OPTION	PANEL THICKNESS	DIM "A"
R6 or R7	1.19-1.51 [.047-.060]	15.70 [.619]
R6 or R7	1.52-3.18 [.061-.125]	15.85 [.624]
R8 or R9	1.19-2.29 [.047-.090]	15.70 [.619]
R8 or R9	2.30-3.18 [.091-.125]	15.85 [.624]



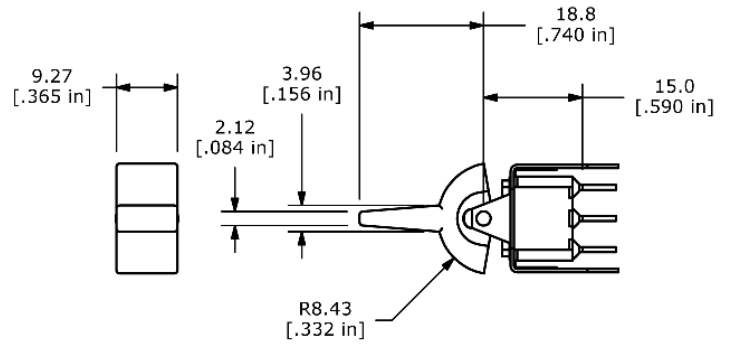
ANTI-VANDAL SWITCHES  
DETECTOR SWITCHES  
DIP SWITCHES  
KEYLOCK SWITCHES  
NAVIGATION SWITCHES  
PUSHBUTTON SWITCHES  
ROCKER SWITCHES  
ROTARY SWITCHES  
SLIDE SWITCHES  
SNAP ACTION SWITCHES  
TACTILE SWITCHES  
TOGGLE SWITCHES  
CAP OPTIONS

## PC Mount Actuator

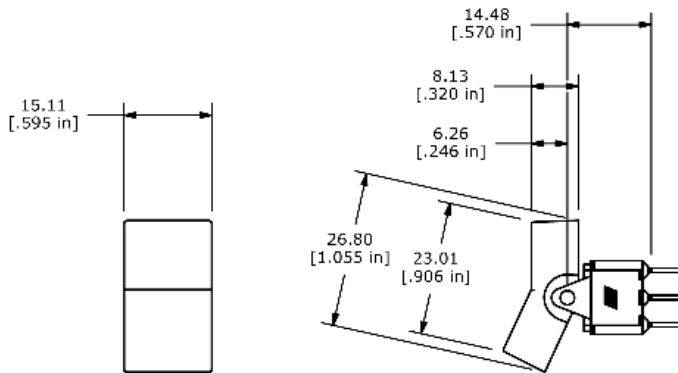
### J1 Actuator



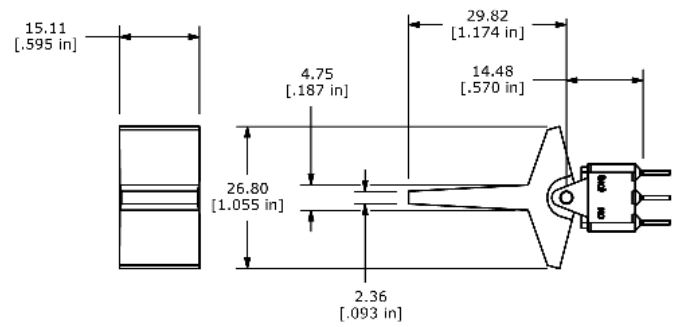
### J2 Actuator



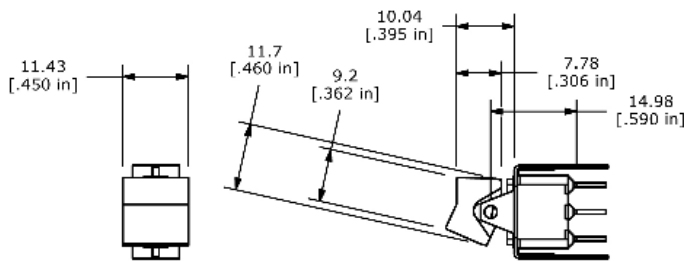
### J3 Actuator



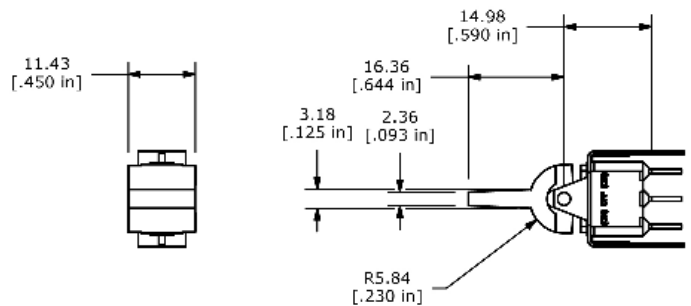
### J4 Actuator



### J5 Actuator



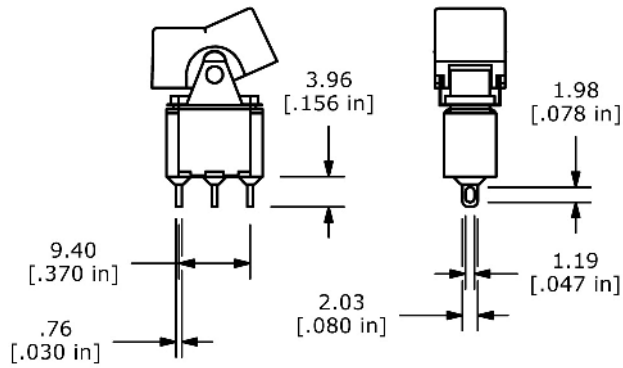
### J6 Actuator



# 300 SERIES ROCKER SWITCH

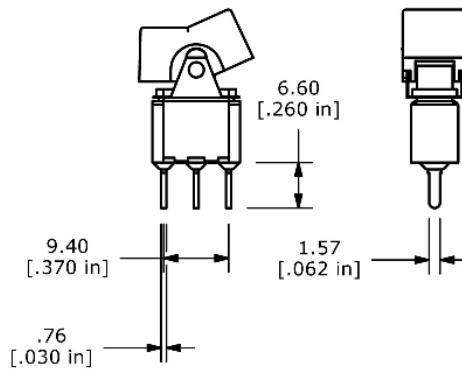
## Panel Mount Termination

### M1 Termination

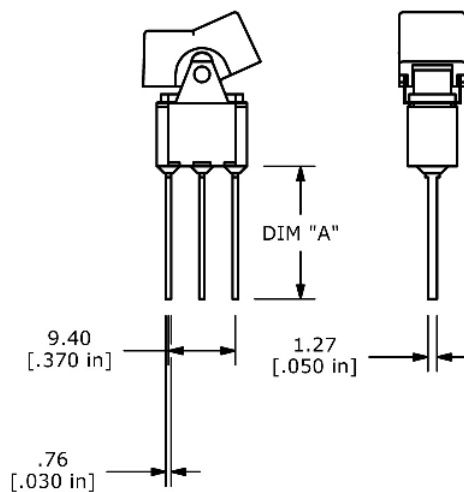


See Switch Function details (page 3) for complete terminal spacing dimensions for DP, 3P, and 4P switch models.

### M3 Termination



### M5 Termination



OPTION	DIM "A"
M51	18.70 [.736]
M52	24.20 [.953]
M53	10.55 [.415]
M54	26.97 [1.062]

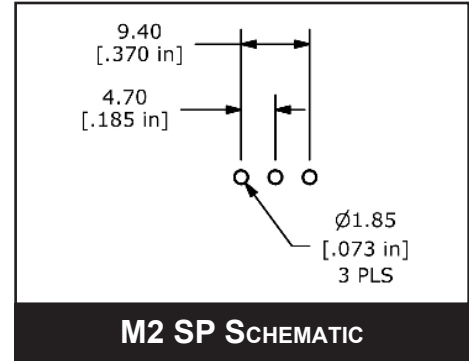
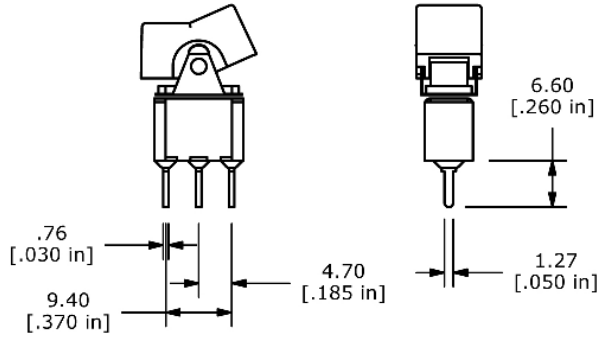


# 300 SERIES ROCKER SWITCH

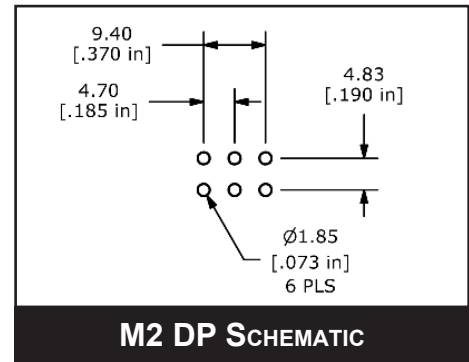
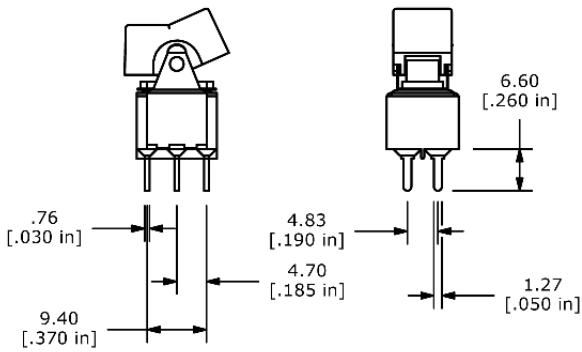
## PC Mount M2 Termination

- ANTI-VANDAL SWITCHES
- DETECTOR SWITCHES
- DIP SWITCHES
- KEYLOCK SWITCHES
- NAVIGATION SWITCHES
- PUSHBUTTON SWITCHES
- ROCKER SWITCHES**
- ROTARY SWITCHES
- SLIDE SWITCHES
- SNAP ACTION SWITCHES
- TACTILE SWITCHES
- TOGGLE SWITCHES
- CAP OPTIONS

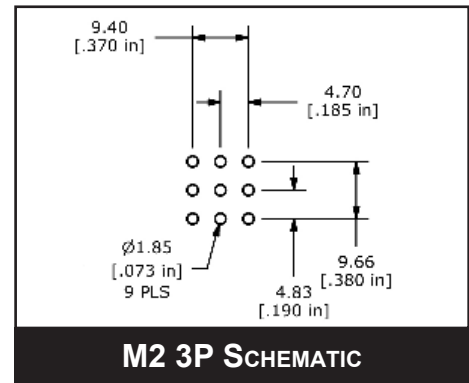
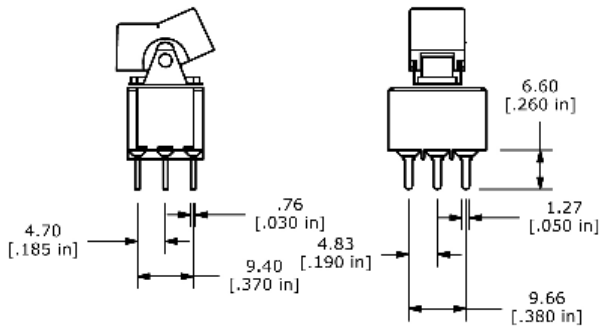
M2 Termination - SP



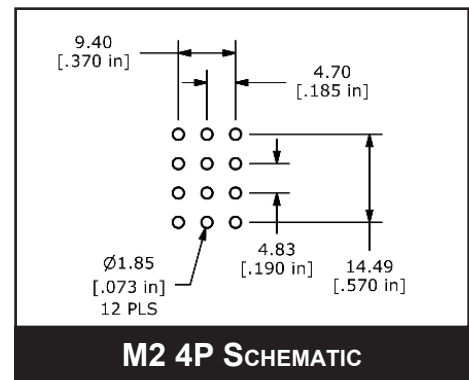
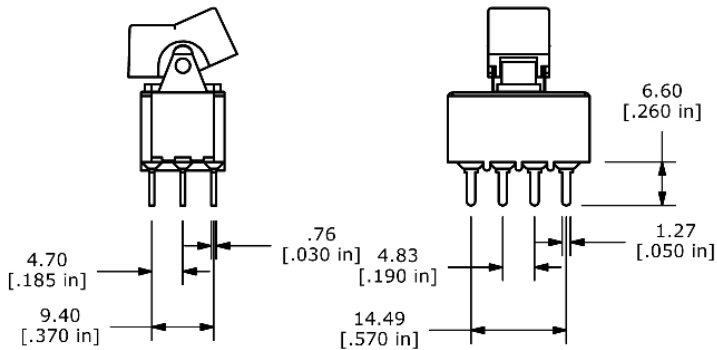
M2 Termination - DP



M2 Termination - 3P



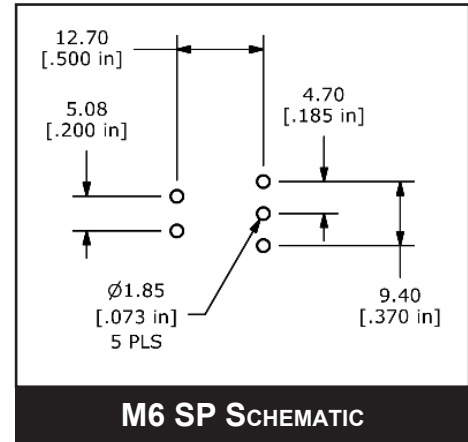
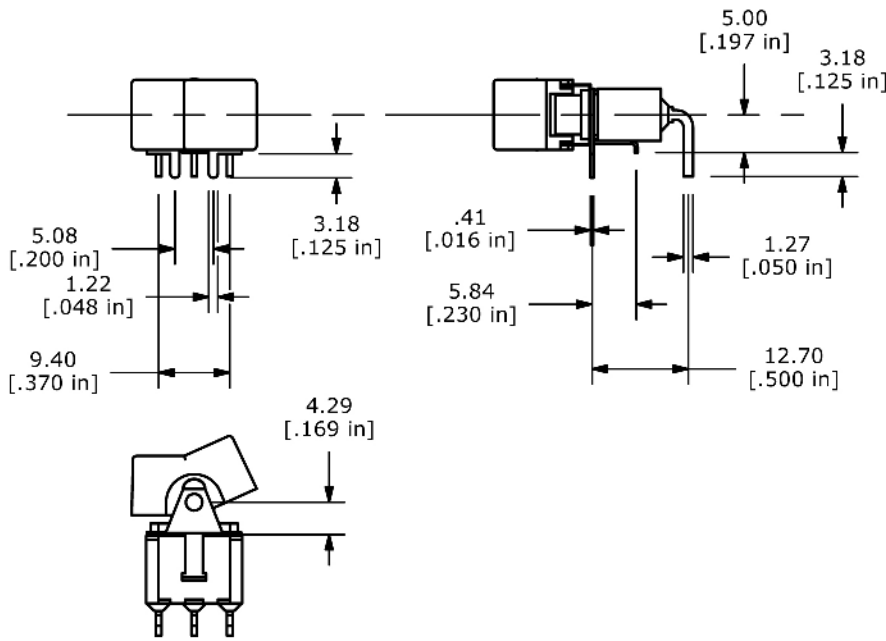
M2 Termination - 4P



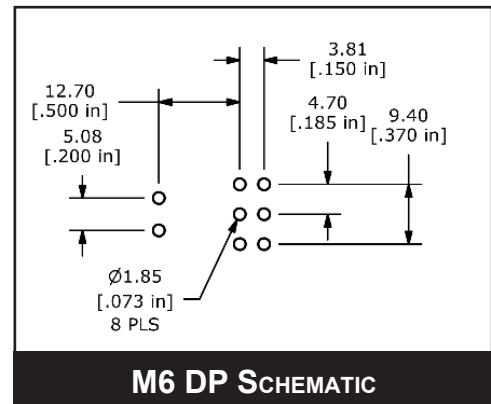
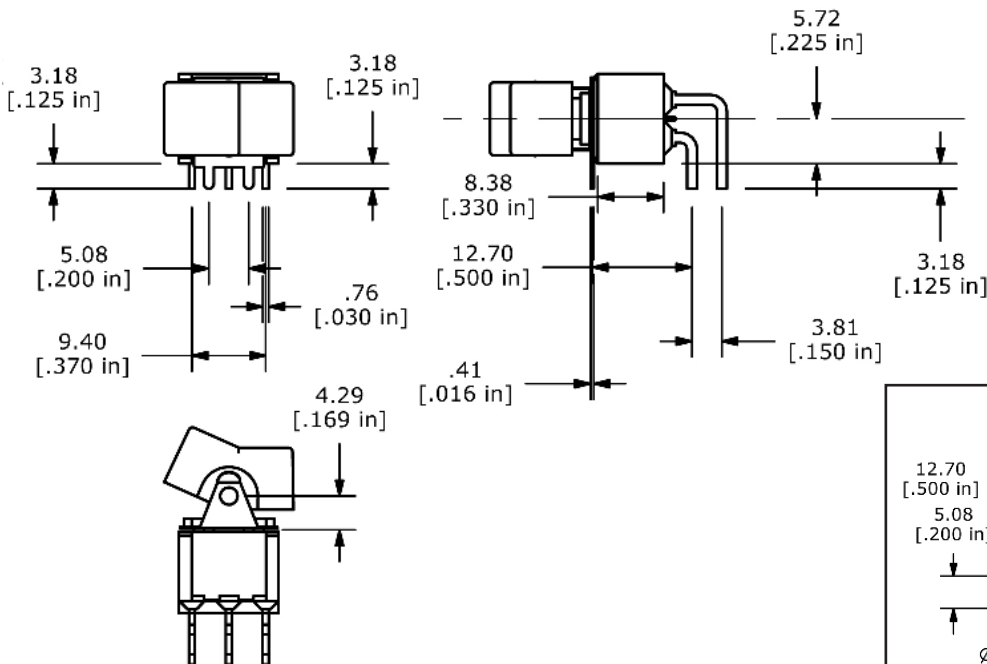
# 300 SERIES ROCKER SWITCH

## PC Mount M6 Termination

### M6 Termination - SP



### M6 Termination - DP

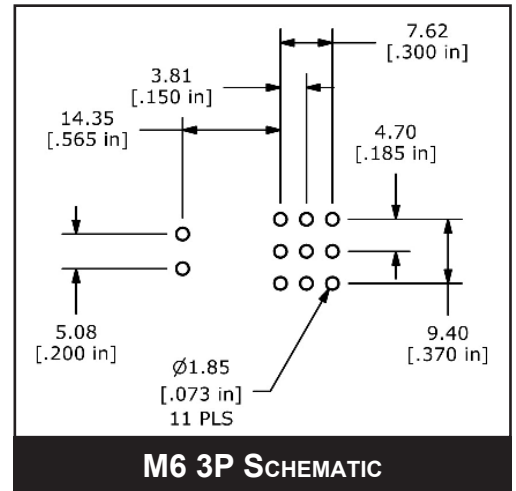
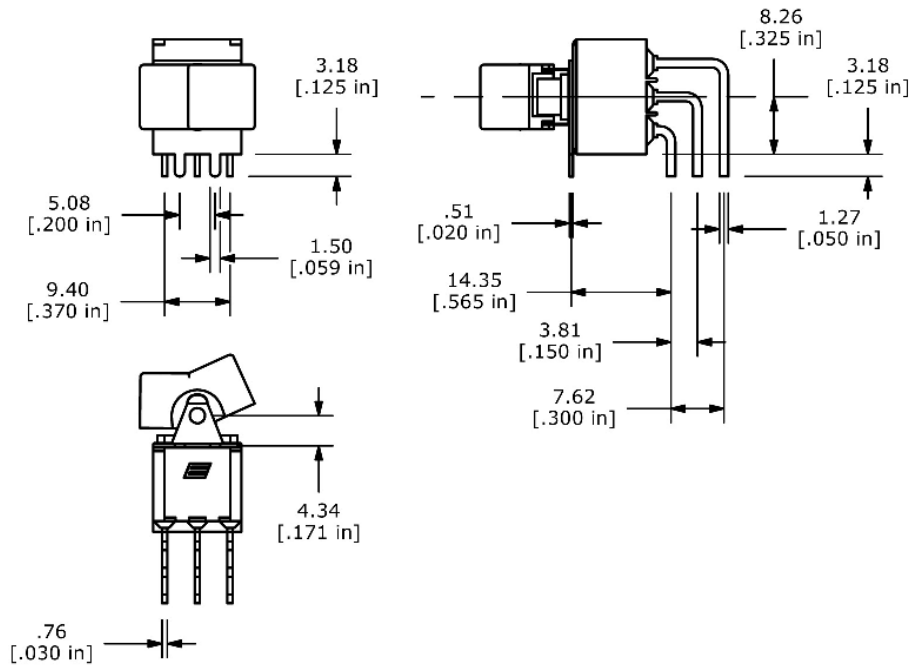




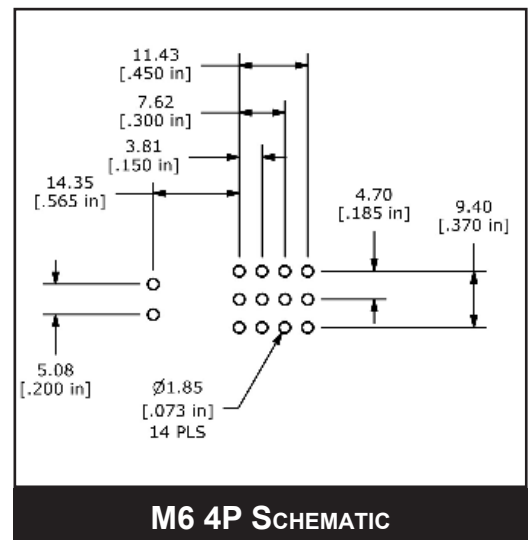
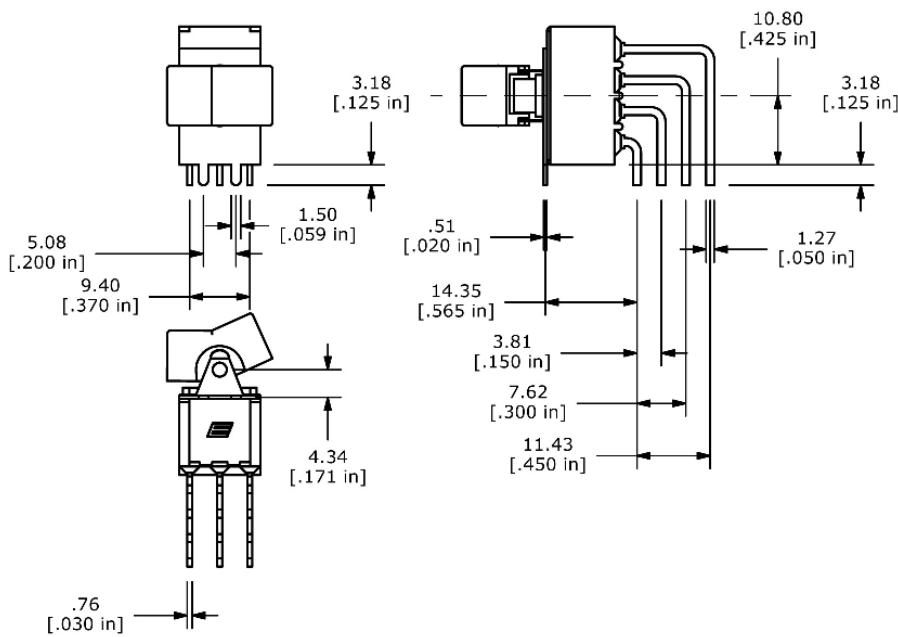
# 300 SERIES ROCKER SWITCH

## PC Mount M6 Termination

### M6 Termination - 3P



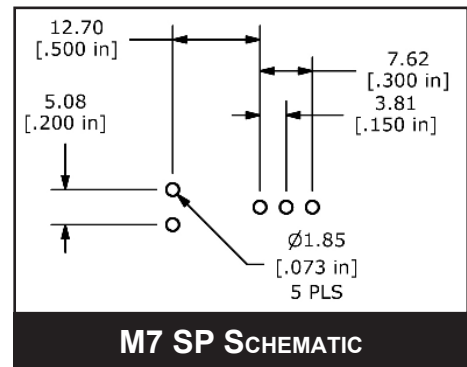
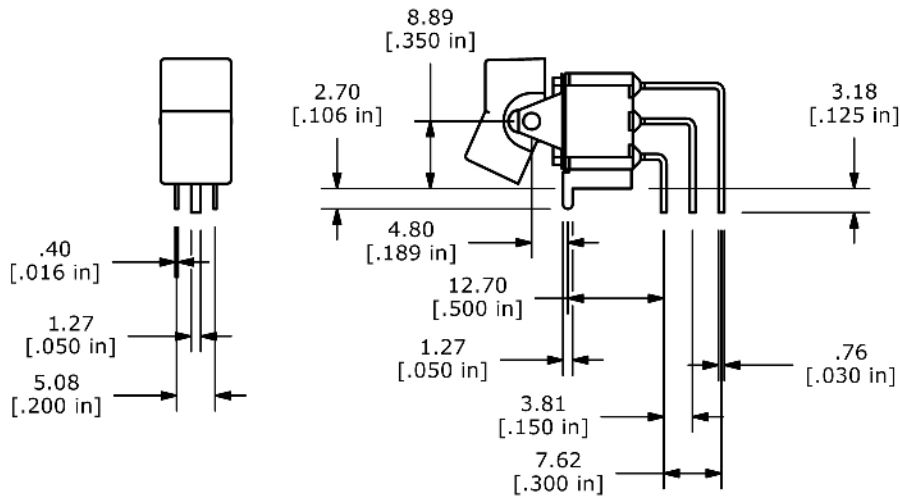
### M6 Termination - 4P



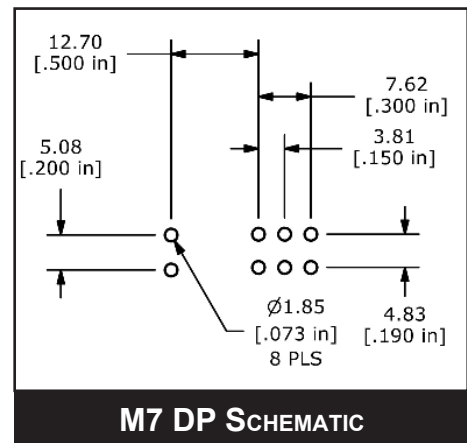
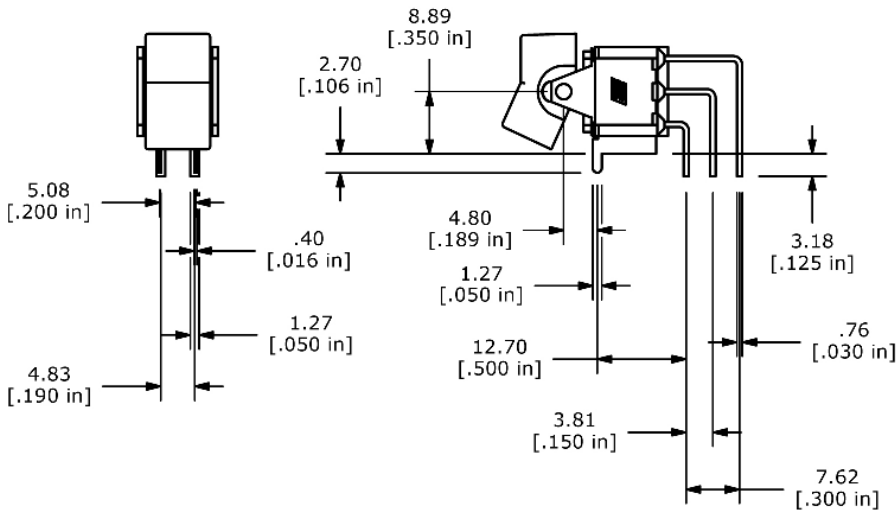
# 300 SERIES ROCKER SWITCH

## PC Mount M7 Termination

### M7 Termination - SP

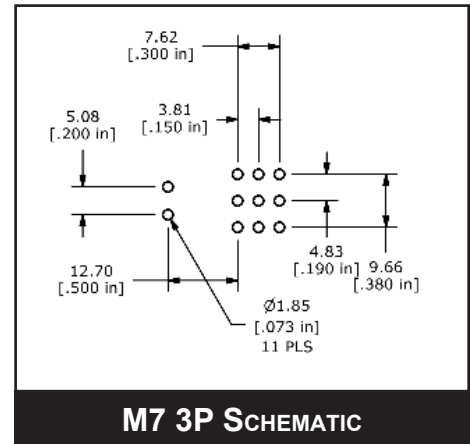
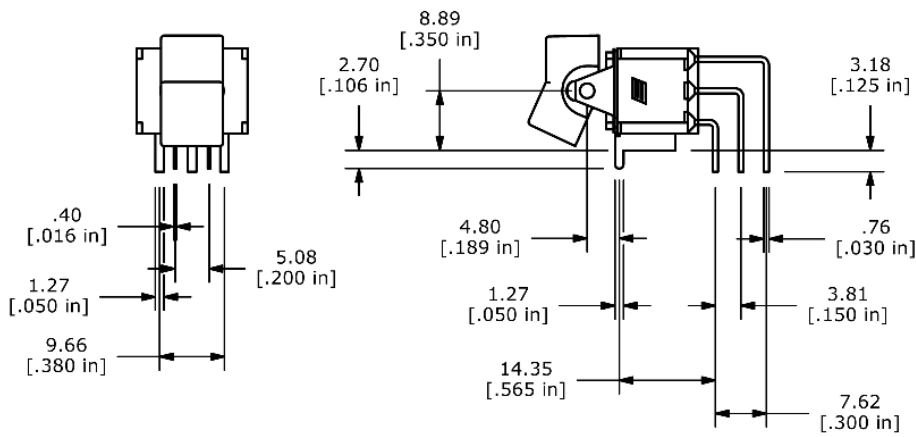


### M7 Termination - DP

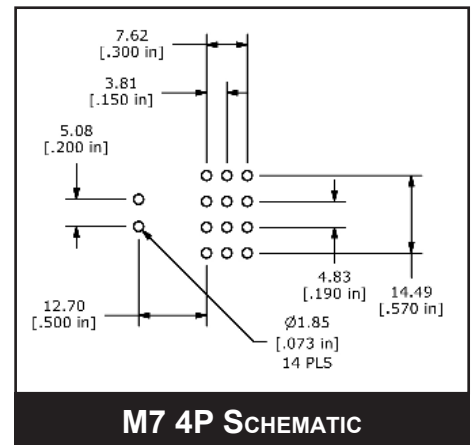
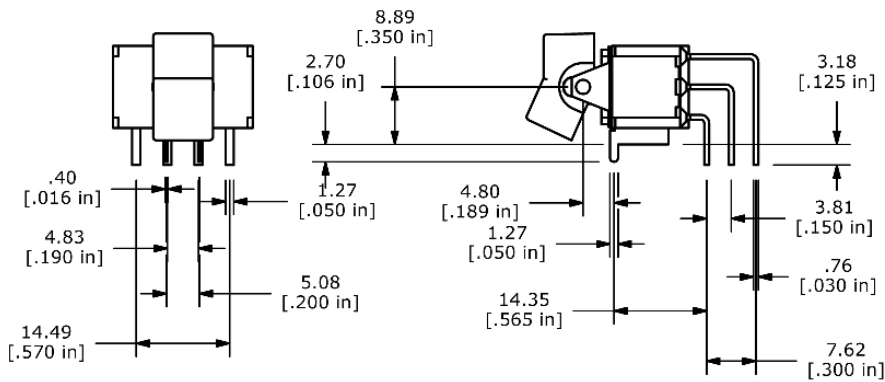


## PC Mount M7 Termination Options

### M7 Termination - 3P



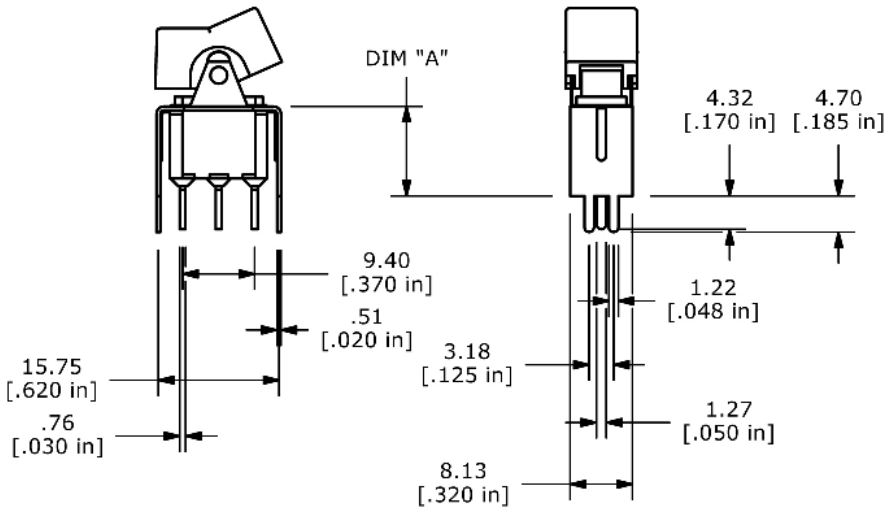
### M7 Termination - 4P



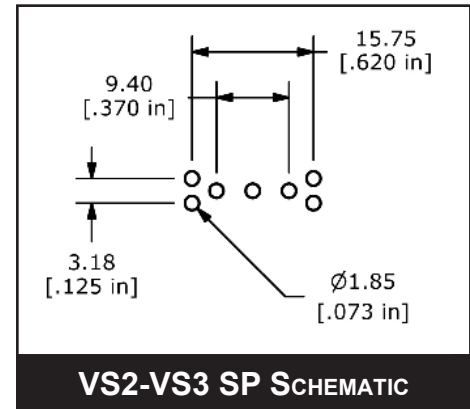
# 300 SERIES ROCKER SWITCH

## PC Mount VS2-VS3 Termination

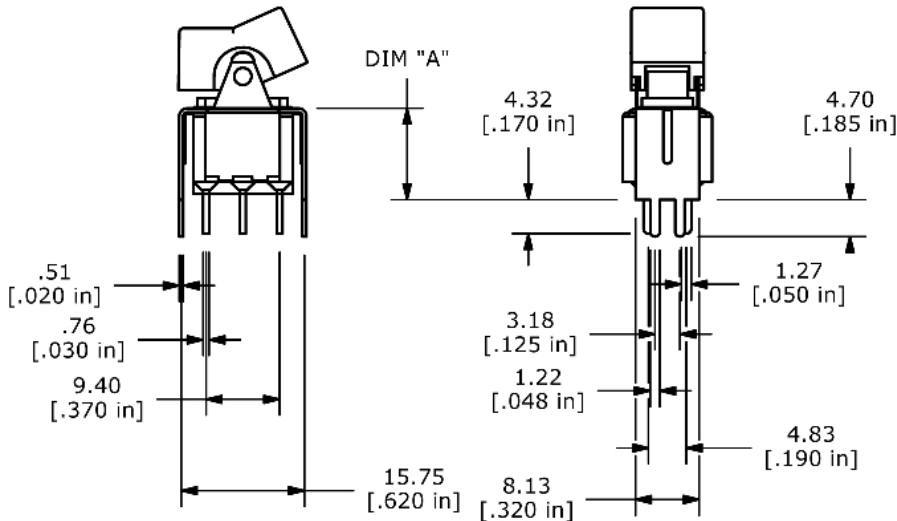
### VS2-VS3 Termination - SP



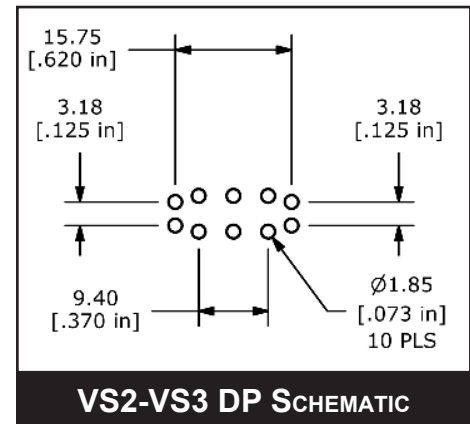
OPTION	DIM "A"
VS2	11.68 [.460]
VS3	16.00 [.630]



### VS2-VS3 Termination - DP



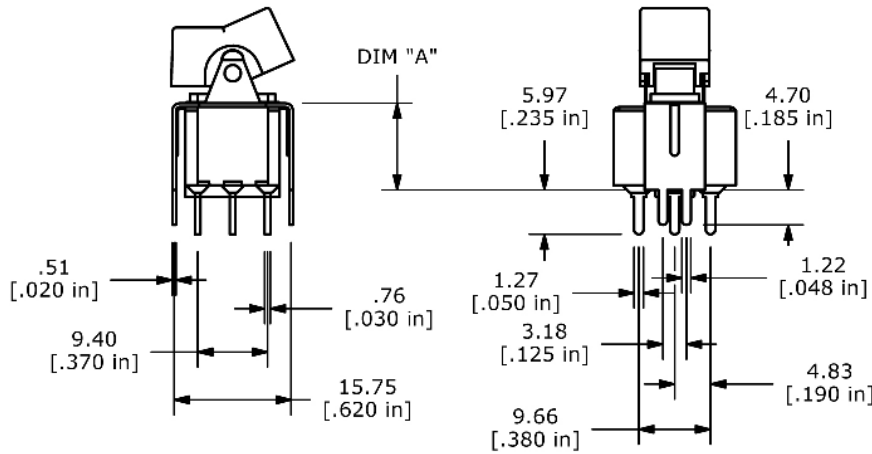
OPTION	DIM "A"
VS2	11.68 [.460]
VS3	16.00 [.630]



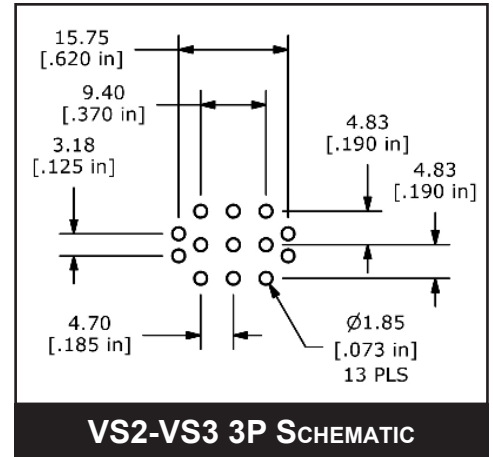
# 300 SERIES ROCKER SWITCH

## PC Mount VS2-VS3 Termination

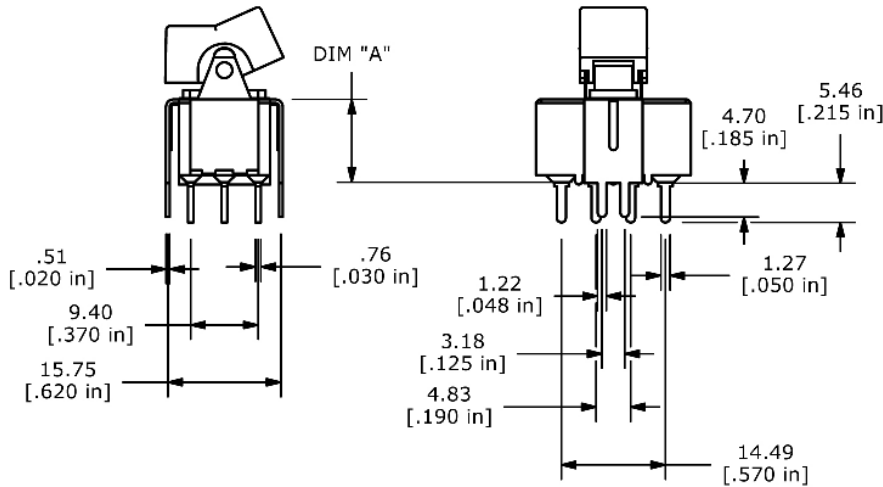
### VS2-VS3 Termination - 3P



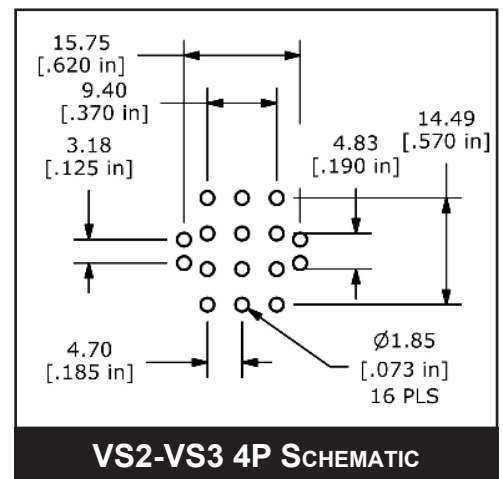
OPTION	DIM "A"
VS2	11.68 [.460]
VS3	16.00 [.630]



### VS2-VS3 Termination - 4P



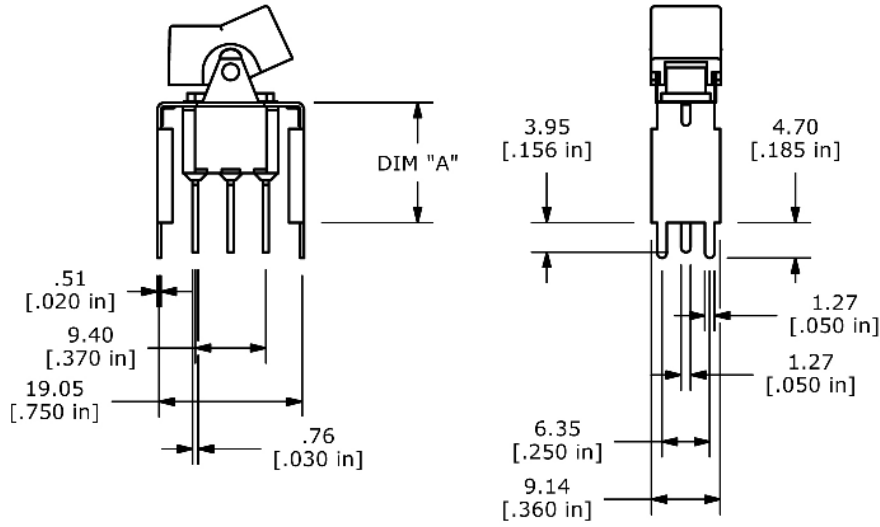
OPTION	DIM "A"
VS2	11.68 [.460]
VS3	16.00 [.630]



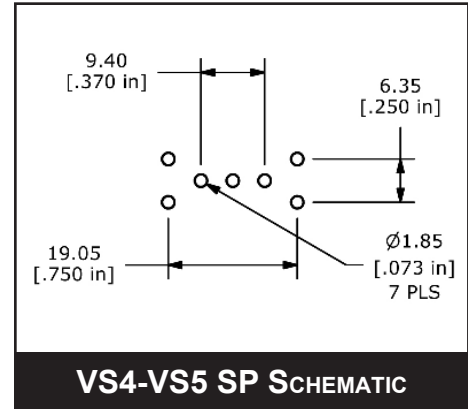
# 300 SERIES ROCKER SWITCH

## PC Mount VS4-VS5 Termination

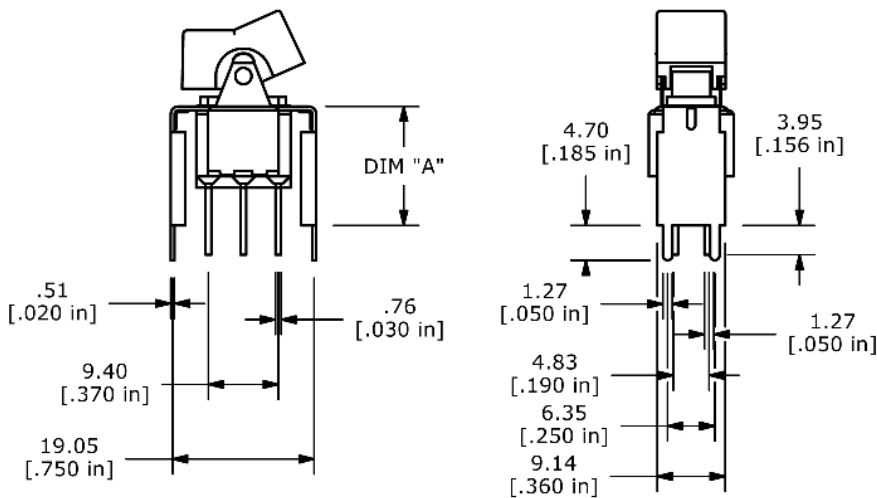
### VS4-VS5 Termination - SP



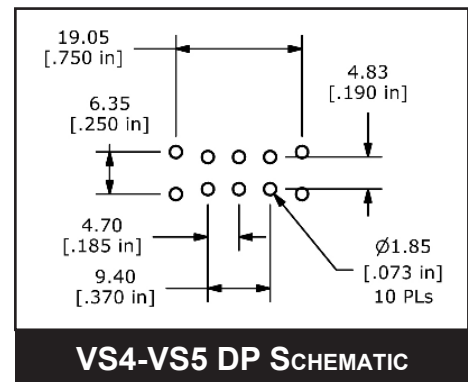
OPTION	DIM "A"
VS4	11.68 [.460]
VS5	16.00 [.630]



### VS4-VS5 Termination - DP



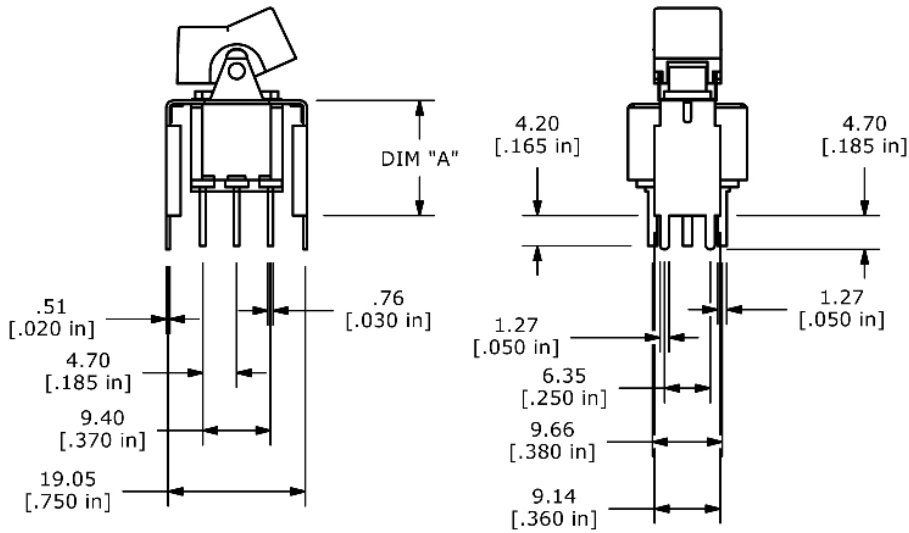
OPTION	DIM "A"
VS4	11.68 [.460]
VS5	16.00 [.630]



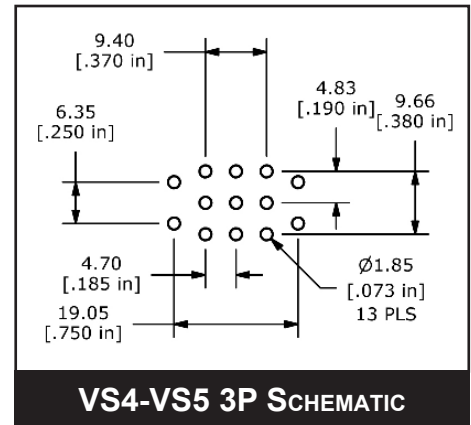
# 300 SERIES ROCKER SWITCH

## PC Mount VS4-VS5 Termination

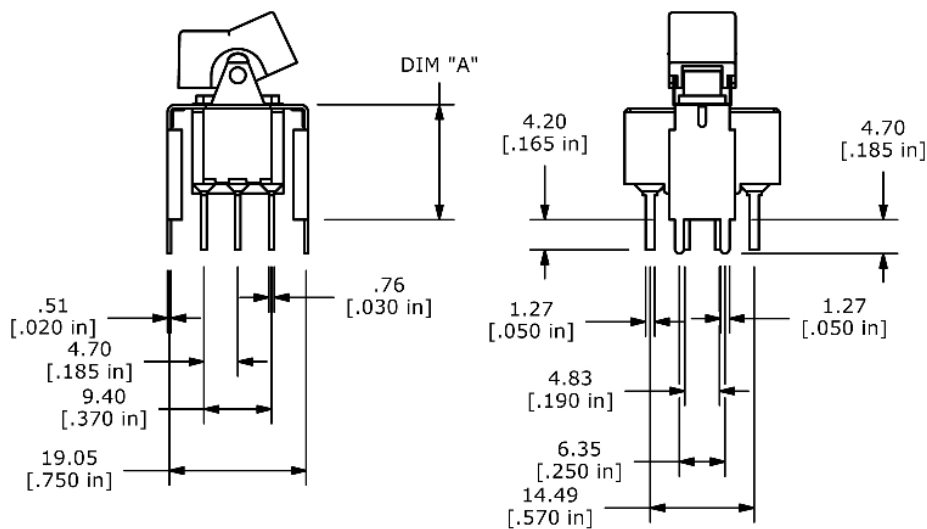
### VS4-VS5 Termination - 3P



OPTION	DIM "A"
VS4	11.68 [.460]
VS5	16.00 [.630]



### VS4-VS5 Termination - 4P



OPTION	DIM "A"
VS4	11.68 [.460]
VS5	16.00 [.630]

