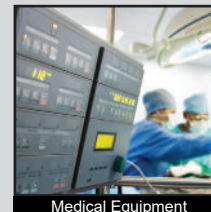
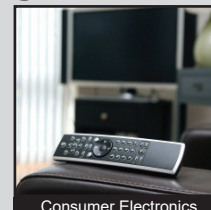
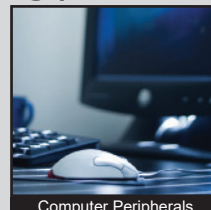
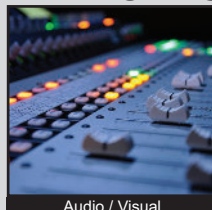


# TL3360 SERIES TACT SWITCH

ANTI-VANDAL SWITCHES  
 DETECTOR SWITCHES  
 DIP SWITCHES  
 KEYLOCK SWITCHES  
 NAVIGATION SWITCHES  
 PUSHBUTTON SWITCHES  
 ROCKER SWITCHES  
 ROTARY SWITCHES  
 SLIDE SWITCHES  
 SNAP ACTION SWITCHES  
**TACTILE SWITCHES**  
 TOGGLE SWITCHES  
 CAP OPTIONS



## APPLICATIONS / MARKETS



**RoHS**

## SPECIFICATIONS

**Electrical Rating:** 50mA @ 12VDC  
**Electrical Life:** 200,000 Cycles  
**Contact Resistance:** 100mΩ Max.  
**Insulation Resistance:** 100M Ω Min. at 500VDC  
**Dielectric Strength:** 250VAC for 1 min.  
**Operating Temperature:** -25°C to 70°C  
**Storage Temperature:** -30°C to 80°C  
**Operating Force:** 185 gf, 260 gf  
**Travel:** 0.15mm  
**Contact Arrangement:** SPST  
**Contact Material:** Silver or Gold

## FEATURES & BENEFITS

- Multiple actuator height options
- Right angle Surface mount
- Multiple operating force options
- Solder pad option
- Auto placement tab option

## PART NUMBER CONFIGURATOR

Series	Actuator Option	Actuation Force	Solder Pad	Auto Placement Tab	Contact Material
<input type="text" value="TL"/> <input type="text" value="3"/> <input type="text" value="3"/> <input type="text" value="6"/> <input type="text" value="0"/>	<input type="text" value="A"/>	<input type="text" value="F"/> <input type="text" value="1"/> <input type="text" value="8"/> <input type="text" value="5"/>	<input type="text" value="N"/>	<input type="text" value="N"/>	<input type="text" value="Q"/>
TL3360	A - 2.30mm B - 2.80mm C - 4.0mm D - 4.35mm	F185 - 185 gf F260 - 260 gf	NONE - With Solder Pad A - Without Solder Pad	NONE - Without Tab K - With Tab	Q - Silver R - Gold

Specifications subject to change without notice 12.5.2022



**E-SWITCH®**

www.e-switch.com

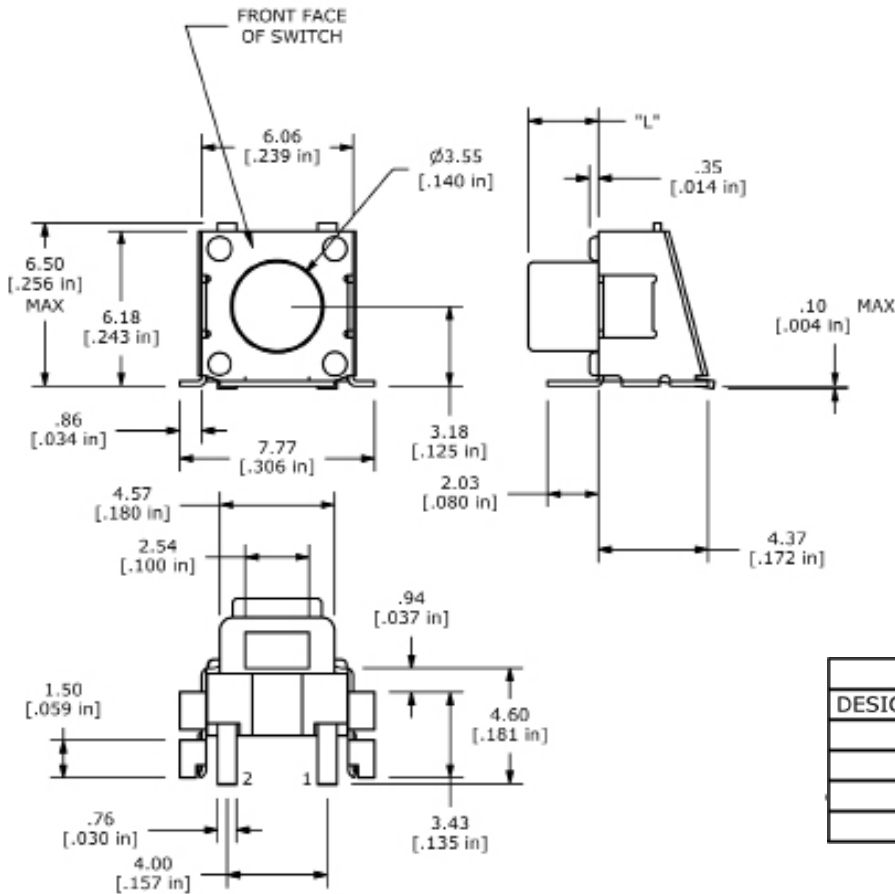
800.867.2717

1

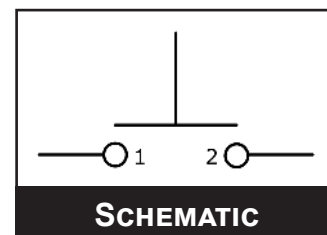
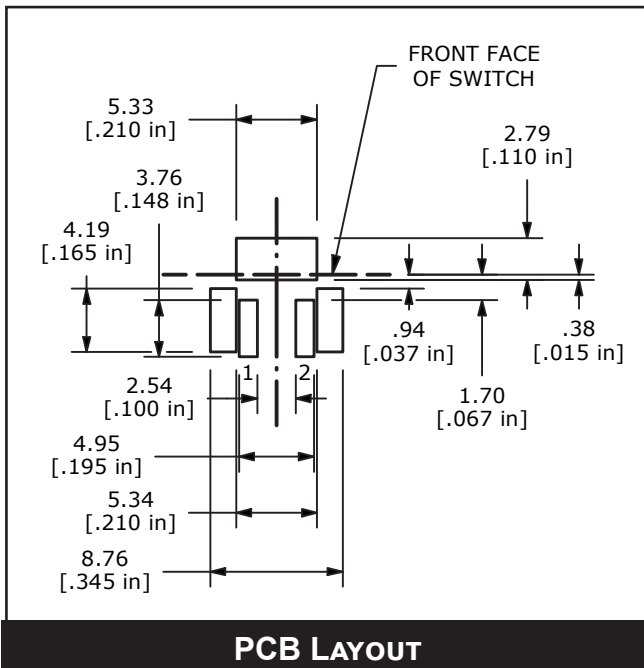
# TL3360 SERIES TACT SWITCH

## BODY DIMENSIONS

### WITH SOLDER PAD, WITHOUT AUTO PLACEMENT TAB



ACTUATOR CHART	
DESIGNATION	"L" DIM
A	2.30
B	2.80
C	4.00
D	4.35

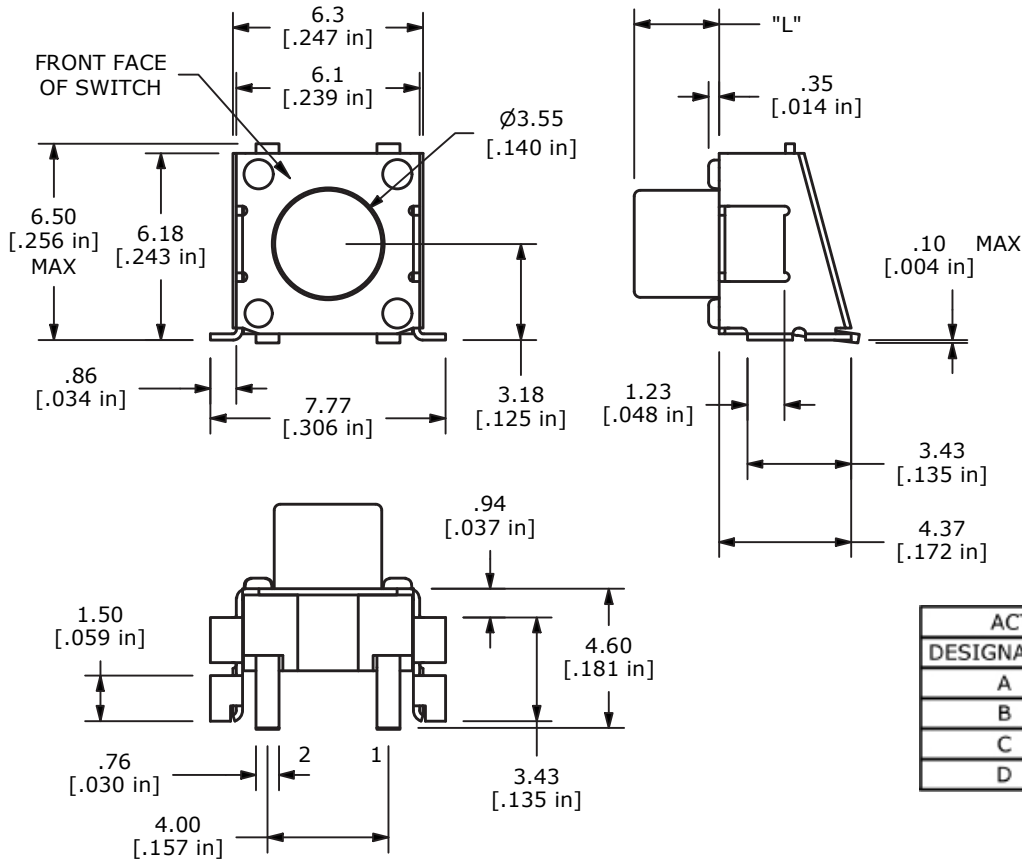


ANTI-VANDAL SWITCHES  
 DETECTOR SWITCHES  
 DIP SWITCHES  
 KEYLOCK SWITCHES  
 NAVIGATION SWITCHES  
 PUSHBUTTON SWITCHES  
 ROCKER SWITCHES  
 ROTARY SWITCHES  
 SLIDE SWITCHES  
 SNAP ACTION SWITCHES  
**TACTILE SWITCHES**  
 TOGGLE SWITCHES  
 CAP OPTIONS

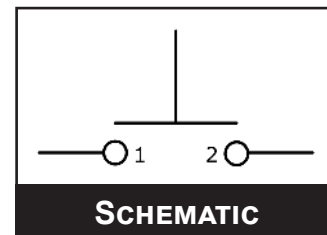
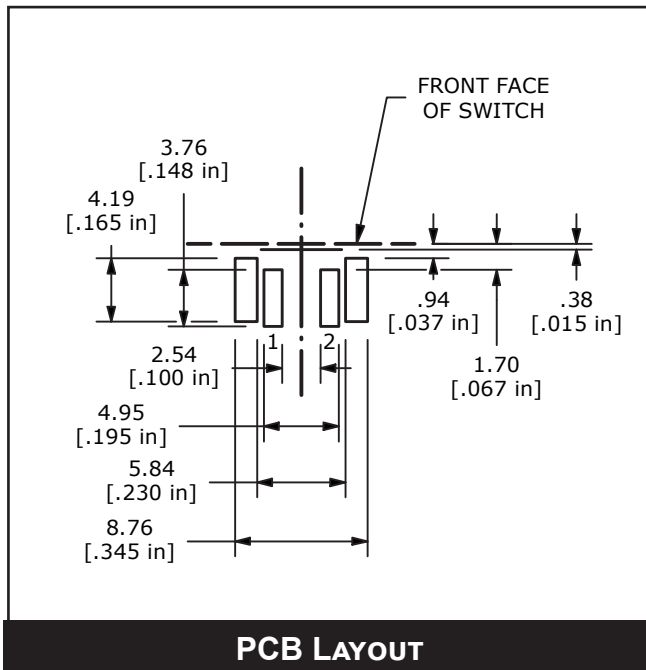
# TL3360 SERIES TACT SWITCH

## BODY DIMENSIONS

### WITHOUT SOLDER PAD, WITHOUT AUTO PLACEMENT TAB



ACTUATOR CHART	
DESIGNATION	"L" DIM
A	2.30
B	2.80
C	4.00
D	4.35

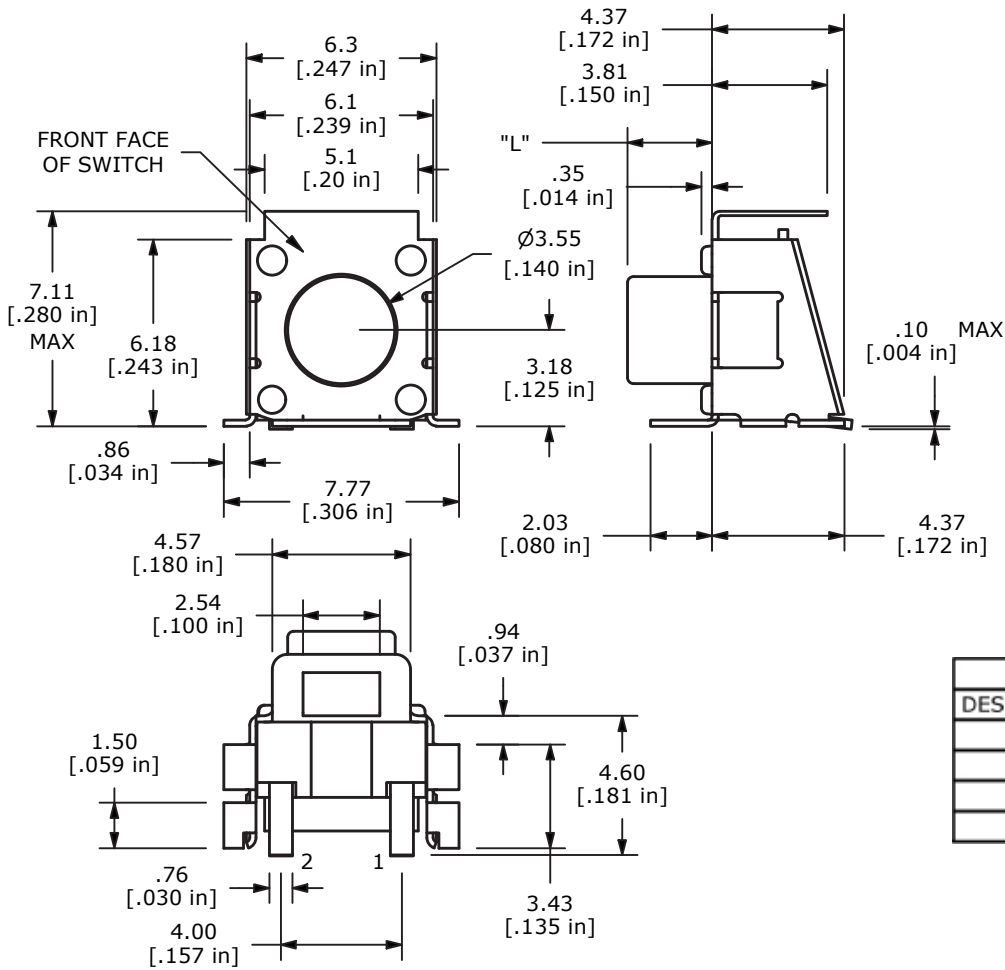


ANTI-VANDAL SWITCHES  
 DETECTOR SWITCHES  
 DIP SWITCHES  
 KEYLOCK SWITCHES  
 NAVIGATION SWITCHES  
 PUSHBUTTON SWITCHES  
 ROCKER SWITCHES  
 ROTARY SWITCHES  
 SLIDE SWITCHES  
 SNAP ACTION SWITCHES  
 TACTILE SWITCHES  
 TOGGLE SWITCHES  
 CAP OPTIONS

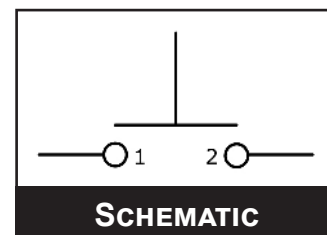
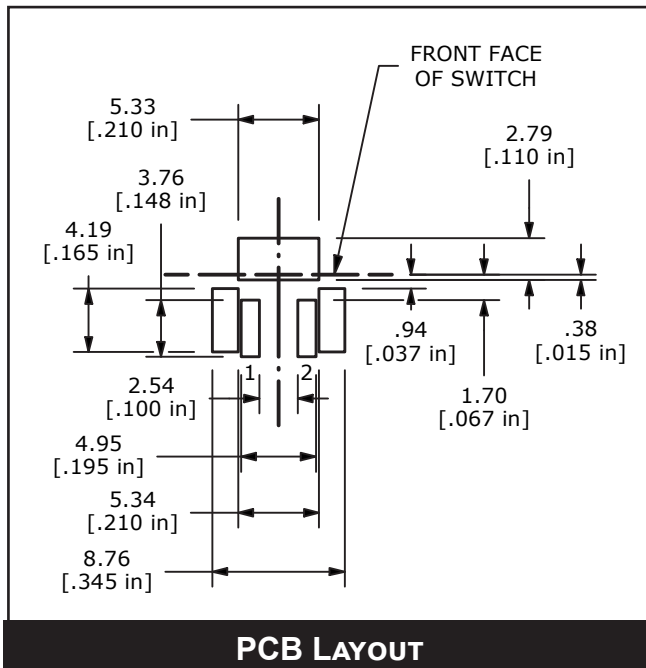
# TL3360 SERIES TACT SWITCH

## BODY DIMENSIONS

### WITH SOLDER PAD, WITH AUTO PLACEMENT TAB



ACTUATOR CHART	
DESIGNATION	"L" DIM
A	2.30
B	2.80
C	4.00
D	4.35



ANTI-VANDAL SWITCHES  
 DETECTOR SWITCHES  
 DIP SWITCHES  
 KEYLOCK SWITCHES  
 NAVIGATION SWITCHES  
 PUSHBUTTON SWITCHES  
 ROTARY SWITCHES  
 ROTARY SWITCHES  
 SLIDE SWITCHES  
 SNAP ACTION SWITCHES  
 TACTILE SWITCHES  
 TOGGLE SWITCHES  
 CAP OPTIONS