

# ST3 SERIES TOGGLE SWITCH

ANTI-VANDAL SWITCHES  
 DETECTOR SWITCHES  
 DIP SWITCHES  
 KEYLOCK SWITCHES  
 NAVIGATION SWITCHES  
 PUSHBUTTON SWITCHES  
 ROCKER SWITCHES  
 ROTARY SWITCHES  
 SLIDE SWITCHES  
 SNAP ACTION SWITCHES  
 TACTILE SWITCHES  
**TOGGLE SWITCHES**  
 CAP OPTIONS



## APPLICATIONS / MARKETS



**RoHS**

## SPECIFICATIONS

**Rating:** 24A 125VAC [cULus]  
 15A 277VAC [cULus]  
 2.0HP 125-277VAC [cULus]

**Electrical Life:** 6,000 cycles  
**Contact Resistance:** 50mΩ Max.  
**Insulation Resistance:** 2MΩ Min. at 500VDC for 1 Minute  
**Dielectric Strength:** 1,000VAC for 1 Minute  
**Operating Temperature:** 0°C to 85°C  
**Storage Temperature:** -20°C to 85°C  
**Mounting Nut Torque:** 0.6Nm~1.0Nm

## FEATURES & BENEFITS

- Heavy duty rating with UL approvals
- Many functions available
- Tab, screw, and solder terminal options
- Soldered wire leads (500mm long) optional

## PART NUMBER CONFIGURATOR

Series	Terminal	Function	Rating	Actuator Type	Bushing Type
<input type="checkbox"/> <input type="checkbox"/> <input type="checkbox"/> ST3 - 3 Pole	<input type="checkbox"/> 1 - 4.8mm Tabs 2 - Solder 4 - 6.3mm Tabs 6 - Screw W - Wire Leads 500mm long	<input type="checkbox"/> R - 3 Pole Off - On S - 3 Pole On - On T - 3 Pole On - Off - On	<input type="checkbox"/> E - 24A 125VAC	<input type="checkbox"/> 0 - Standard Bat	<input type="checkbox"/> 0 - M12 x 1.0

*Specifications subject to change without notice 2.16.2022*

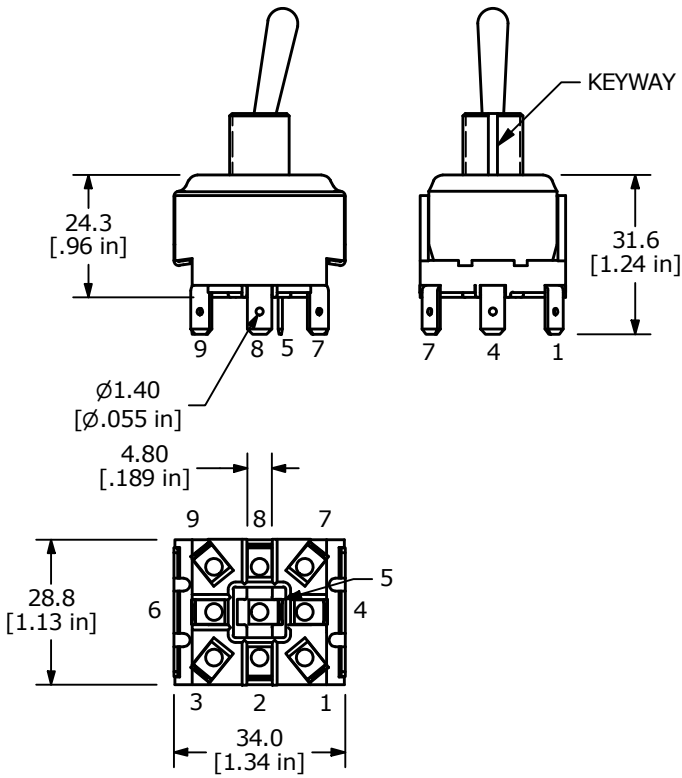


**E-SWITCH®**

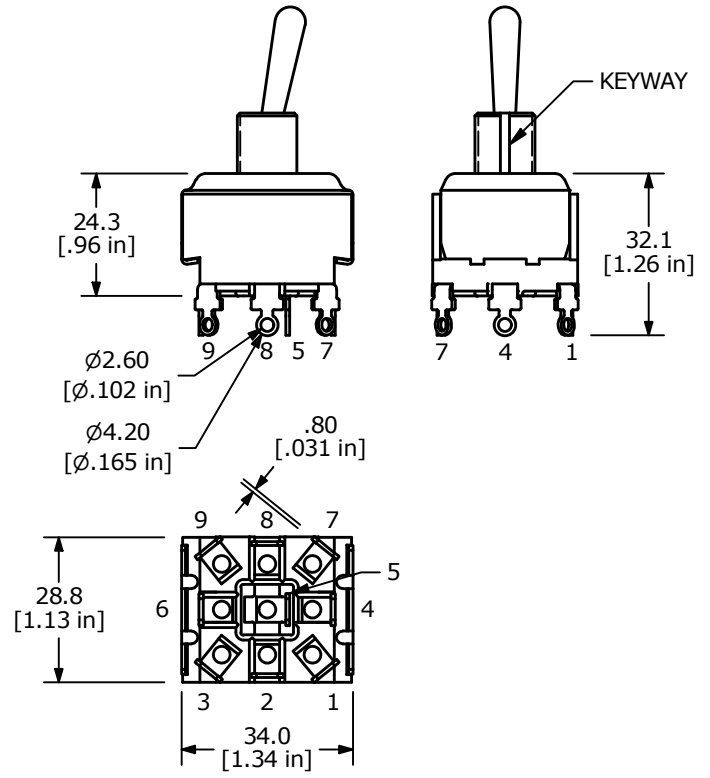
www.e-switch.com 800.867.2717

# ST3 SERIES TOGGLE SWITCH

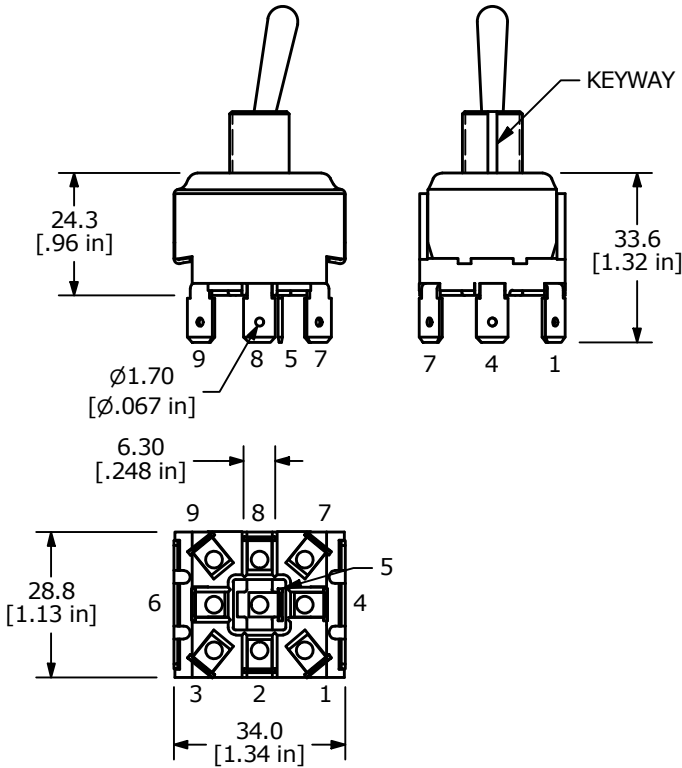
## TERMINAL OPTIONS



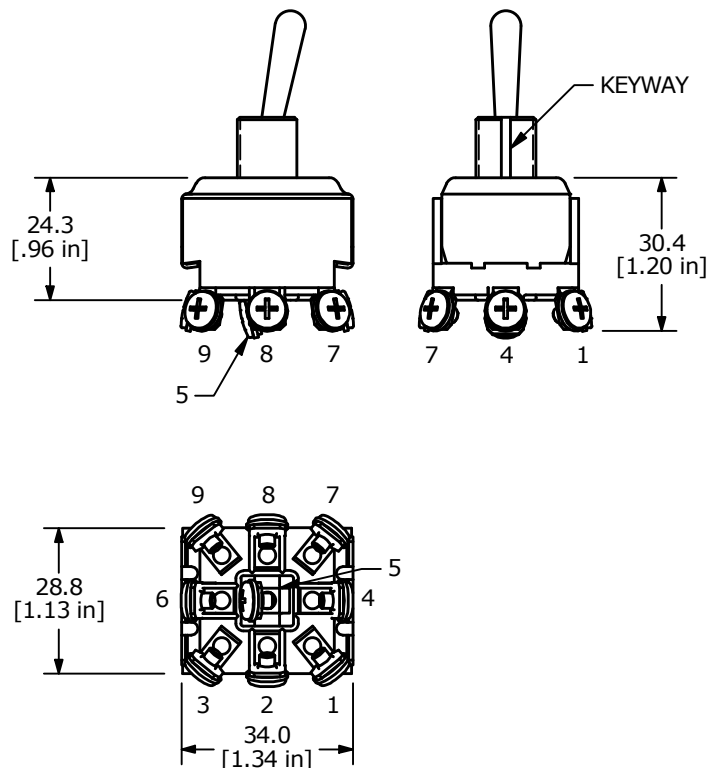
1 = 4.8mm TABS



2 = SOLDER



4 = 6.3mm TABS



6 = SCREW



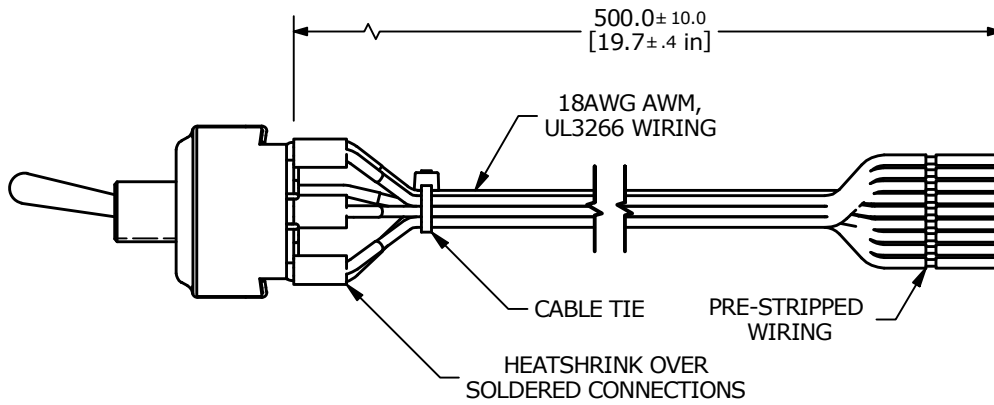
- ANTI-VANDAL SWITCHES
- DETECTOR SWITCHES
- DIP SWITCHES
- KEYLOCK SWITCHES
- NAVIGATION SWITCHES
- PUSHBUTTON SWITCHES
- ROCKER SWITCHES
- ROTARY SWITCHES
- SLIDE SWITCHES
- SNAP ACTION SWITCHES
- TACTILE SWITCHES
- TOGGLE SWITCHES**
- CAP OPTIONS

# ST3 SERIES TOGGLE SWITCH

## TERMINAL OPTIONS (CONTINUED)

SWITCH	WIRE	LENGTH
SW1-1	WIRE, 18AWG AWM UL3266, GREEN	500.0 [19.7 in]
SW1-2	WIRE, 18AWG AWM UL3266, PINK	500.0 [19.7 in]
SW1-3	WIRE, 18AWG AWM UL3266, YELLOW	500.0 [19.7 in]
SW1-4	WIRE, 18AWG AWM UL3266, RED	500.0 [19.7 in]
SW1-5	WIRE, 18AWG AWM UL3266, WHITE	500.0 [19.7 in]
SW1-6	WIRE, 18AWG AWM UL3266, BLUE	500.0 [19.7 in]
SW1-7	WIRE, 18AWG AWM UL3266, BLACK	500.0 [19.7 in]
SW1-8	WIRE, 18AWG AWM UL3266, ORANGE	500.0 [19.7 in]
SW1-9	WIRE, 18AWG AWM UL3266, BROWN	500.0 [19.7 in]

\*\* WIRE LEADS PROVIDED ARE DEPENDANT ON THE FUNCTION SELECTED \*\*

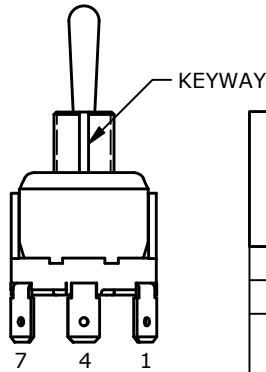
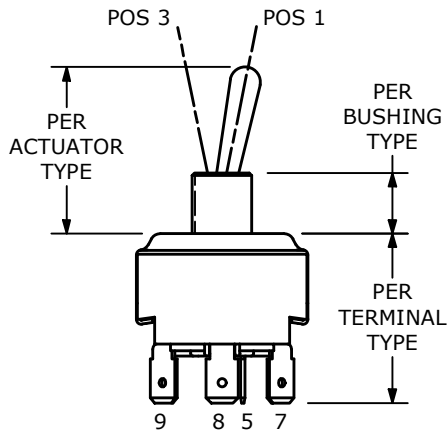


W = WIRED LEADS 500mm



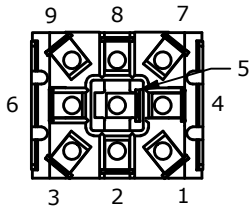
# ST3 SERIES TOGGLE SWITCH

## FUNCTION OPTIONS

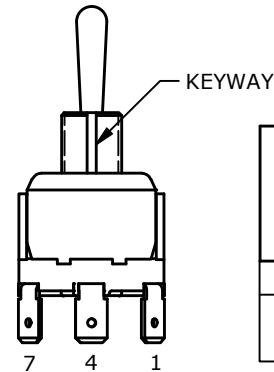
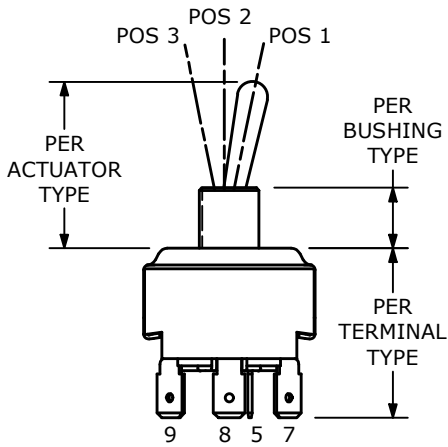


### FUNCTIONS: R & S

FUNCTION	POS. 1 	POS. 2 	POS. 3 
R - OFF - ON	OFF	N/A	ON
S - ON - ON	ON	N/A	ON
TERMINAL CLOSURES	R= OPEN S= 2-3, 5-6, 8-9	N/A	R= 1-2, 4-5, 7-8 S= 1-2, 4-5, 7-8

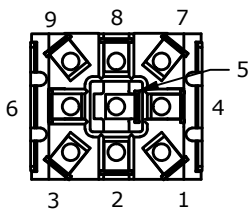


TERMINALS 3, 6 AND 9 ONLY WITH FUNCTION S



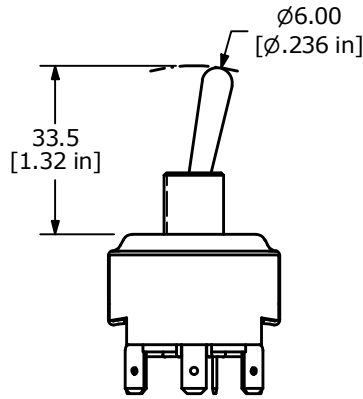
### FUNCTION: T

FUNCTION	POS. 1 	POS. 2 	POS. 3 
T - ON - OFF - ON	ON	OFF	ON
TERMINAL CLOSURES	2-3, 5-6, 8-9	OPEN	1-2, 4-5, 7-8



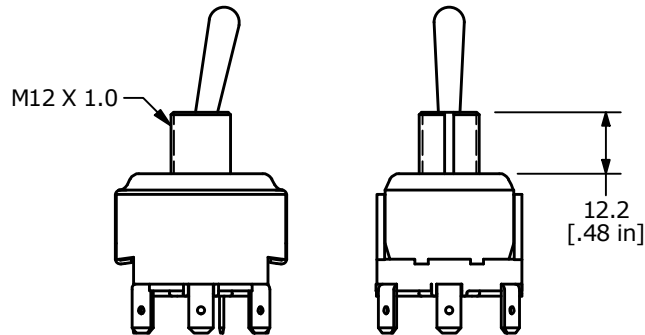
# ST3 SERIES TOGGLE SWITCH

## ACTUATOR OPTIONS



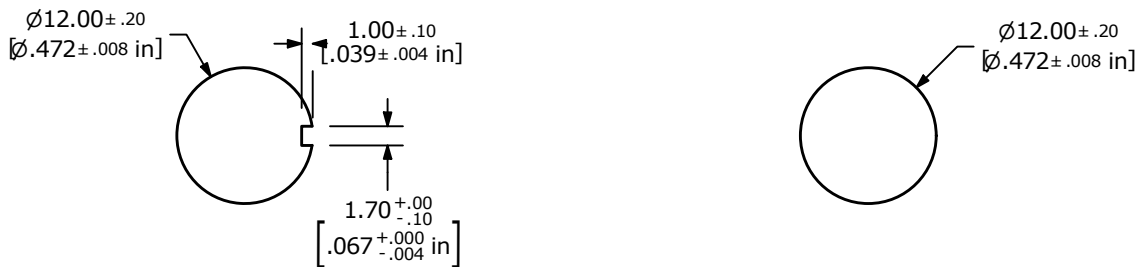
0 = STANDARD BAT

## BUSHING OPTIONS



0 = M12 X 1.0

## PANEL CUTOUT OPTIONS



RECOMMENDED PANEL CUTOUT

ALTERNATE PANEL CUTOUT

