

TL3312 SERIES TACT SWITCH

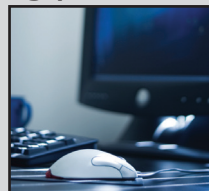
ANTI-VANDAL SWITCHES
DETECTOR SWITCHES
DIP SWITCHES
KEYLOCK SWITCHES
NAVIGATION SWITCHES
PUSHBUTTON SWITCHES
ROCKER SWITCHES
ROTARY SWITCHES
SLIDE SWITCHES
SNAP ACTION SWITCHES
TACTILE SWITCHES
TOGGLE SWITCHES
CAP OPTIONS



APPLICATIONS / MARKETS



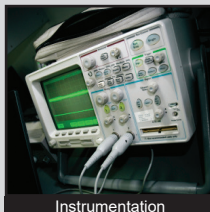
Wearable Electronics



Computer Peripherals



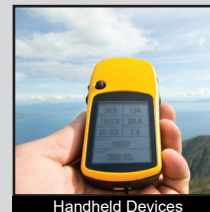
Consumer Electronics



Instrumentation



Telecommunication



Handheld Devices

RoHS

SPECIFICATIONS

Electrical Rating: 50mA @ 12VDC
Contact Resistance: 100mΩ Max. initial
Insulation Resistance: 100MΩ at 100VDC
Dielectric Strength: 100VAC for 1 min.
Operating Life: 500,000 Cycles for 160gf
 50,000 Cycles for 235gf
Operating Temperature: -40°C to 85°C
Storage Temperature: -40°C to 85°C
Operating Force: 160gf
 235gf
Travel: 0.15mm
Contact Arrangement: SPST

FEATURES & BENEFITS

- Ultra-miniature - 3.7mm x 3.7mm
- Surface mount termination
- Very low profile - 0.35mm

PART NUMBER CONFIGURATOR

Series	Model	Actuator Option	Actuation Force	Contact Material
<input type="text" value="TL"/>	<input type="text" value="3312"/>	<input type="text" value="N - None"/>	<input type="text" value="F160 - 160gf"/> <input type="text" value="F235 - 235gf"/>	<input type="text" value="Q - Silver"/>

Specifications subject to change without notice 6.27.2018



E-SWITCH®

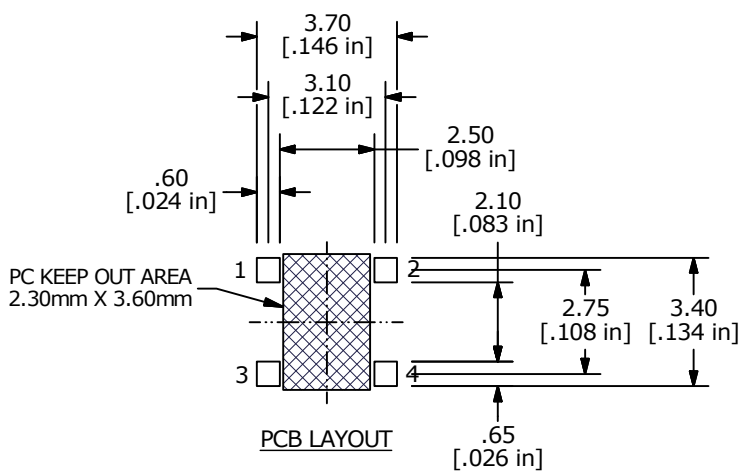
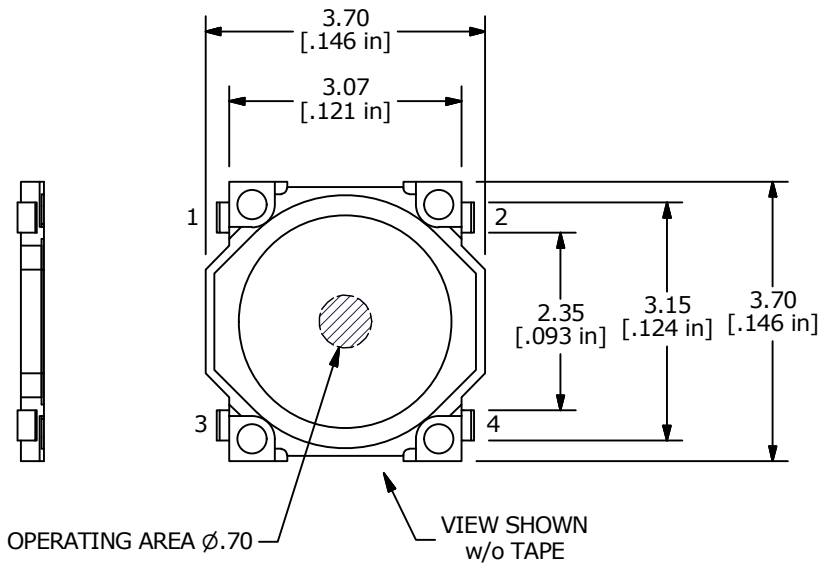
www.e-switch.com

800.867.2717

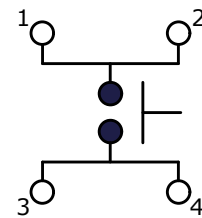
1

TL3312 SERIES TACT SWITCH

BODY DIMENSIONS



SURFACE MOUNT PCB LAYOUT



SCHEMATIC

- ANTI-VANDAL SWITCHES
- DETECTOR SWITCHES
- DIP SWITCHES
- KEYLOCK SWITCHES
- NAVIGATION SWITCHES
- PUSHBUTTON SWITCHES
- ROCKER SWITCHES
- ROTARY SWITCHES
- SLIDE SWITCHES
- SNAP ACTION SWITCHES
- TACTILE SWITCHES**
- TOGGLE SWITCHES
- CAP OPTIONS

