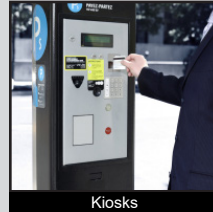


SAV4 SERIES ANTI-VANDAL SWITCH

ANTI-VANDAL SWITCHES
 DETECTOR SWITCHES
 DIP SWITCHES
 KEYLOCK SWITCHES
 NAVIGATION SWITCHES
 PUSHBUTTON SWITCHES
 ROCKER SWITCHES
 ROTARY SWITCHES
 SLIDE SWITCHES
 SNAP ACTION SWITCHES
 TACTILE SWITCHES
 TOGGLE SWITCHES
 CAP OPTIONS



APPLICATIONS / MARKETS



RoHS

SPECIFICATIONS

Electrical Rating: 15A, 125/250VAC
Electrical Life: 10,000 Cycles
Contact Resistance: 100mΩ max,
Insulation Resistance: 100MΩ @ 500VDC
Dielectric Strength: 1,500VAC for 60 seconds
Operating/Storage Temperature: -25°C to 85°C
Travel: 3.2mm
Moisture Protection: IP67 (at front panel)
Actuation Force: 3.5N
Panel Thickness: 1-10mm
Hex Nut Torque: 1-3Nm

FEATURES & BENEFITS

- 19mm diameter panel cutout
- Dot, ring, power, or ring/power illumination options
- Multiple illumination voltage options
- Momentary and latching functions
- 15A high current rating

PART NUMBER CONFIGURATOR

Series	Actuator	Terminal	Function	Body Finish	Actuator Finish	Lens Style	LED Color	Illumination Voltage
SAV4	F - Flat	1 - 4.8mm Quick Connect	3 - 1P ON-ON B - 1P ON-(ON)*	S - Stainless Steel 1 - Black Anodized	S - Stainless Steel 1 - Black Anodized	None - Non-Illuminated 2 - Dot, moveable with actuator 3 - Ring, moveable with actuator 5 - Power Symbol 6 - Ring / Power Symbol moveable with actuator	None - Non-Illuminated 0 - White 1 - Red 2 - Orange 3 - Green 4 - Blue 5 - Yellow G - Red / Green P - Green / Yellow	None - Non-Illuminated 1 - 3V 3 - 6V 4 - 12V 5 - 24V 6 - 110V 7 - 220V

NOTES:
 *() denotes function is momentary
 Call us for custom graphic options 800-867-2717

Specifications subject to change without notice 1.6.2020



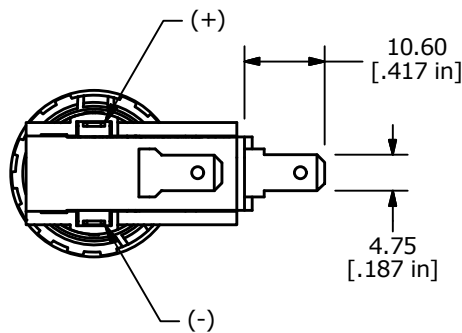
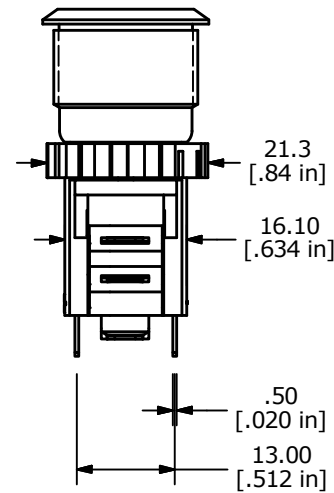
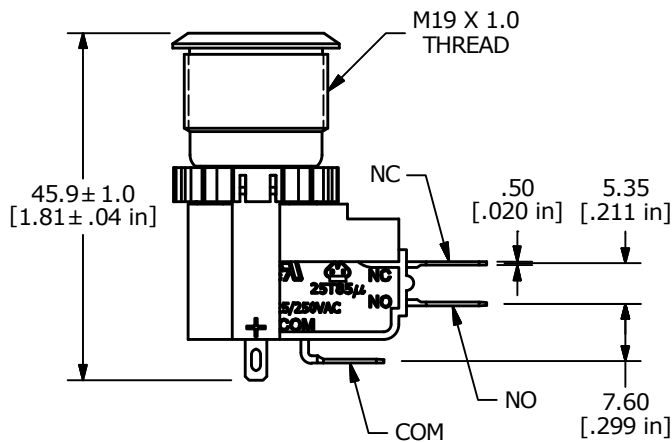
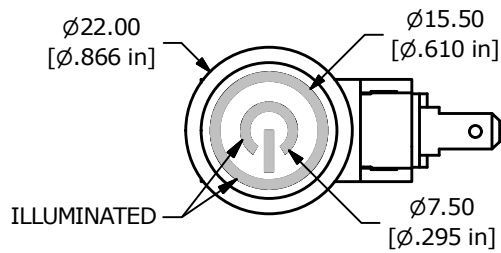
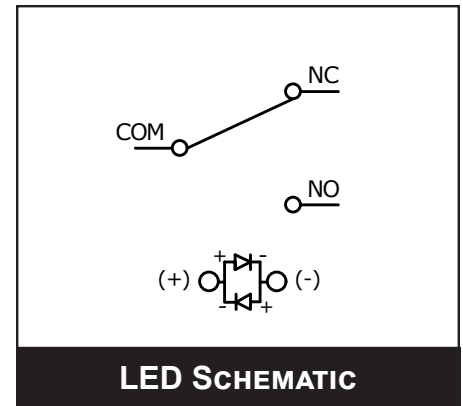
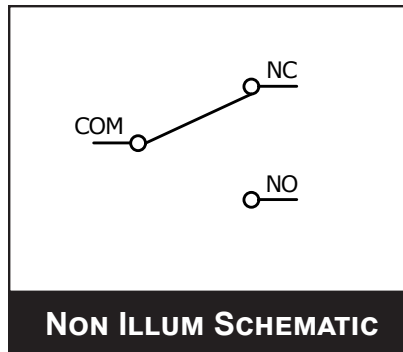
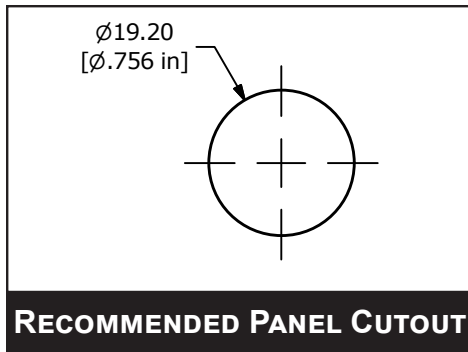
E-SWITCH®

www.e-switch.com

800.867.2717

SAV4 SERIES ANTI-VANDAL SWITCH

BODY DIMENSIONS



ILLUMINATED RING / POWER SYMBOL OPTION SHOWN

LED (+) AND (-) TERMINALS ARE NOT INCLUDED ON THE NON-ILLUMINATED OPTION

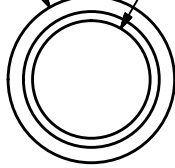


ANTI-VANDAL SWITCHES
DETECTOR SWITCHES
DIP SWITCHES
KEYLOCK SWITCHES
NAVIGATION SWITCHES
PUSHBUTTON SWITCHES
ROCKER SWITCHES
ROTARY SWITCHES
SLIDE SWITCHES
SNAP ACTION SWITCHES
TACTILE SWITCHES
TOGGLE SWITCHES
CAP OPTIONS

SAV4 SERIES ANTI-VANDAL SWITCH

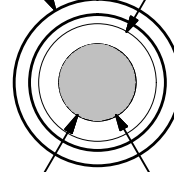
LENS STYLE OPTIONS

Ø22.00 [Ø.866 in]
Ø15.50 [Ø.610 in]



NON-ILLUMINATED

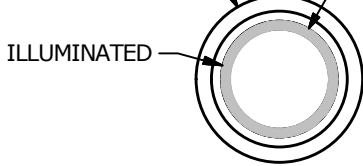
Ø22.00 [Ø.866 in]
Ø15.50 [Ø.610 in]



ILLUMINATED
Ø10.00 [Ø.394 in]

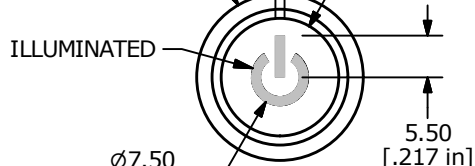
DOT ILLUMINATED

Ø22.00 [Ø.866 in]
Ø15.50 [Ø.610 in]



RING ILLUMINATED

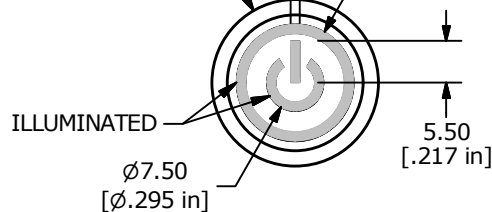
1.20 [.047 in]
Ø22.00 [Ø.866 in]
Ø15.50 [Ø.610 in]



ILLUMINATED
Ø7.50 [Ø.295 in]
5.50 [.217 in]

POWER SYMBOL ILLUMINATED

1.20 [.047 in]
Ø22.00 [Ø.866 in]
Ø15.50 [Ø.610 in]



ILLUMINATED
Ø7.50 [Ø.295 in]
5.50 [.217 in]

RING / POWER SYMBOL ILLUMINATED

