

# SERIES JS 5208 SWITCHES

## NAVIGATION SWITCHES



### SPECIFICATIONS

|                      |   |
|----------------------|---|
| Contact Rating:      | 20mA, 15VDC                                   |
| Life Expectancy:     | 100,000 Cycles                                |
| Contact Resistance:  | 100m Ohms Max (initial)                       |
| Operating Force:     | Tilt-280+/-100 grams<br>Push-500 +/-150 grams |
| Dielectric Strength: | 250VAC  |
| Operating Temp:      | -20C to +70C                                  |
| Travel:              | Tilt 8 degrees, Push 1.0 +/-0.2mm's           |

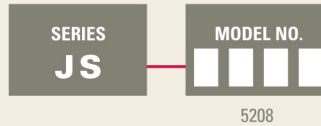
### FEATURES & BENEFITS

- ▶ 5-position navigation
- ▶ Designed for SMT applications that require navigation

### APPLICATIONS/MARKETS

- ▶ Consumer electronics where user interface is needed
- ▶ Handheld instrumentation
- ▶ Navigation
- ▶ Telecommunication

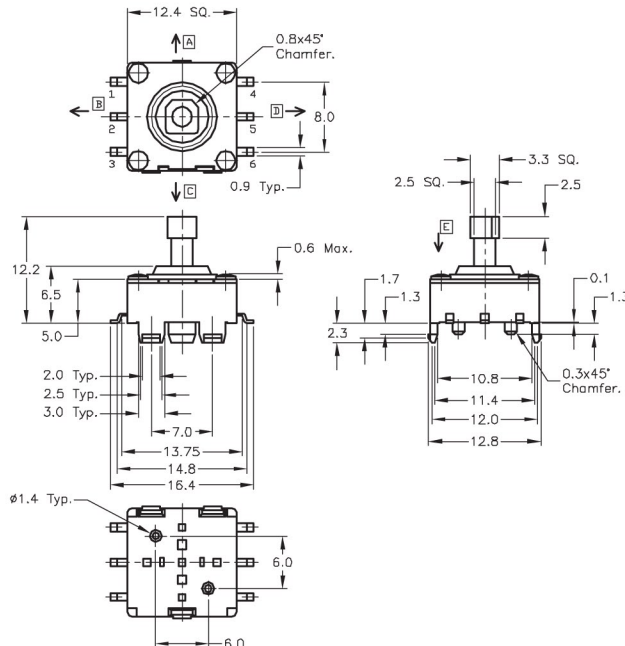
### HOW TO ORDER



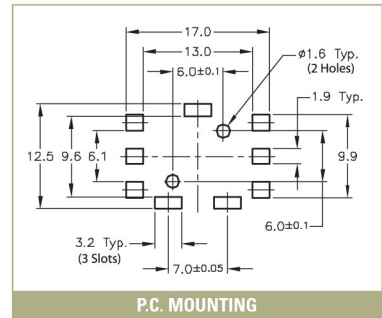
▶ ▶ ▶ **Example Ordering Number**  
JS-5208

Specifications subject to change without notice.

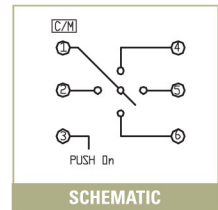
## JS 5208



| Position | Connected Term. # |
|----------|-------------------|
| A        | 1 - 4             |
| B        | 1 - 2             |
| C        | 1 - 6             |
| D        | 1 - 5             |
| E (Push) | 1 - 3             |



PC MOUNTING



SCHEMATIC