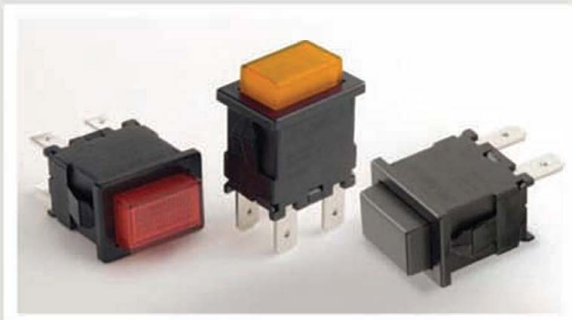




SERIES PB 1973 SWITCHES

PUSHBUTTON SWITCHES - ILLUMINATED PANEL MOUNT



SPECIFICATIONS

Contact Rating: 15A @ 250 VAC UL listed
10A @ 125 VDC VDE listed

Life Expectancy (Mechanical): ≥30,000 cycles

Life Expectancy (Electrical): ≥10,000 cycles

Contact Resistance: < 20mΩ

Insulation Resistance: 1,000MΩ min.

Dielectric Strength: > 1,500 volts

Operating Temperature: -10°C to +55°C

FEATURES & BENEFITS

- ▶ Panel Mount
- ▶ Illuminated
- ▶ Many color options available

APPLICATIONS/MARKETS

- ▶ Telecommunications
- ▶ Networking
- ▶ Computers/servers
- ▶ Performance audio
- ▶ Instrumentation
- ▶ On/Off designs
- ▶ External hard drives and modems

MATERIALS

Housing: Nylon

Actuator: Polycarbonate

Moving Contact: Silver alloy

Terminals: Brass, silver plated

HOW TO ORDER

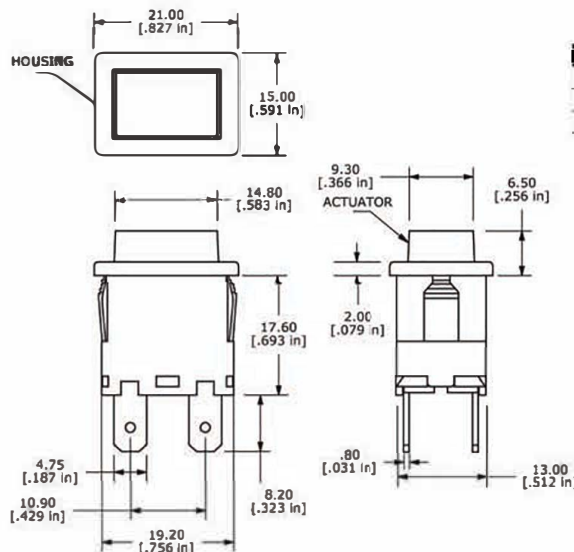
SERIES PB	MODEL NO. 1973	CIRCUIT	HOUSING COLOR	ACTUATOR COLOR	MARKING	TERMINATION	LAMP TYPE
		A = SPST ON-OFF B = SPST (ON)-OFF C = SPST (III) ON-OFF D = SPST (III) (ON)-OFF E = DPST ON-OFF F = DPST (ON)-OFF G = DPST (III) ON-OFF H = DPST (III) (ON)-OFF	BLK = Black WHT = White	BLK = Black (Opaque) WHT = White (Opaque) GIL = Green Illuminated RIL = Red Illuminated YIL = Yellow Illuminated	E = No Marking	F = .187 x .032 Faston	D = No Lamp 1 = 125 VAC Neon 2 = 250 VAC Neon 3 = 12 VDC Incandescent 4 = 24 VDC Incandescent

Example Ordering Number

PB-1973-B-BLK-RIL-E-F-2

Specifications subject to change without notice.

PB 1973



Panel Thickness	X
0.75-1.25	19.2
1.25-2.00	19.4
2.00-3.00	19.6

