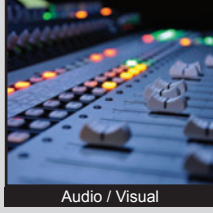


800C SERIES PUSHBUTTON SWITCH

ANTI-VANDAL SWITCHES
 DETECTOR SWITCHES
 DIP SWITCHES
 KEYLOCK SWITCHES
 NAVIGATION SWITCHES
PUSHBUTTON SWITCHES
 ROCKER SWITCHES
 ROTARY SWITCHES
 SLIDE SWITCHES
 SNAP ACTION SWITCHES
 TACTILE SWITCHES
 TOGGLE SWITCHES
 CAP OPTIONS



APPLICATIONS / MARKETS



Audio / Visual



Consumer Electronics



Vending Machines



Kiosks



Instrumentation



Medical Equipment

RoHS

SPECIFICATIONS

Electrical Rating:
 Silver: 3A @ 120VAC or 28 VDC, 1A @250VAC
 Gold: 0.4VA @ 20V Max (AC or DC)
Electrical Life: 6,000 Cycles
Contact Resistance:
 Silver: 50mΩ Max initial
 Gold: 20mΩ Max initial
Insulation Resistance: 1,000 MΩ Min. @1000VDC
Dielectric Strength: 1000VAC for 1 minute
Operating/Storage Temperature: -30°C to 85°C
Travel: Electrical Make: 1.34mm / Full travel: 1.88mm
Circuit Function: SPDT
Actuation Force: 350 gf

FEATURES & BENEFITS

- Miniature in size
- Multiple termination options
- Alternating action pushbutton

PART NUMBER CONFIGURATOR

| Series | Circuit | Bushing | Termination | Contact Material | Seal | Hardware |
|-----------------------------------|--|--|--|--|--|---|
| <input type="text" value="800C"/> | <input type="text" value="SP1 - ON-ON"/> | <input type="text" value="B5 - Threaded"/> <input type="text" value="B6 - Non-Threaded"/> | <input type="text" value="M1"/> <input type="text" value="M2"/> <input type="text" value="M6"/> <input type="text" value="M7"/> | <input type="text" value="Q - Silver"/> <input type="text" value="R - Gold"/> | <input type="text" value="E - Epoxy"/> | <input type="text" value="H - Hardware"/> |

Specifications subject to change without notice



E-SWITCH®

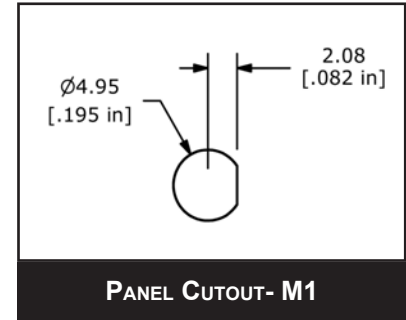
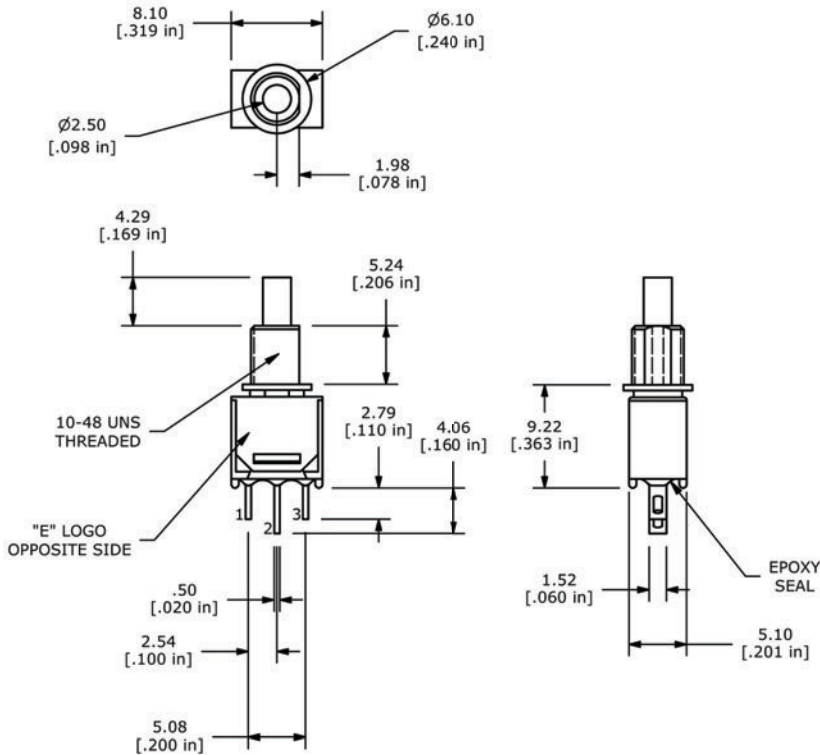
www.e-switch.com

800.867.2717

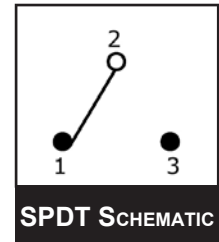
800C SERIES PUSHBUTTON SWITCH

SPDT DIMENSIONS

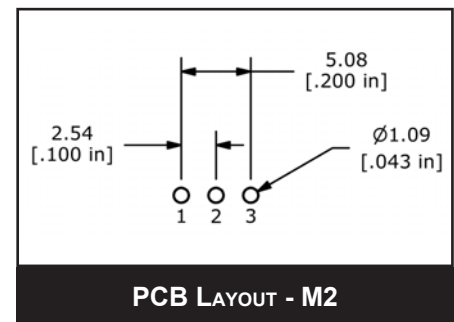
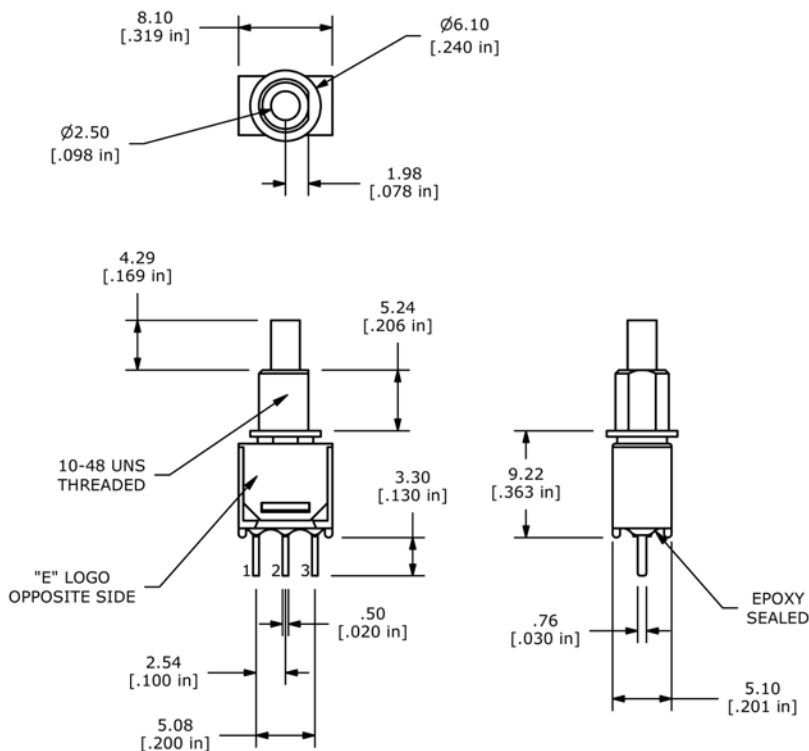
M1 Termination



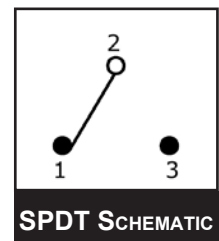
| SWITCH FUNCTION | |
|-----------------|--------|
| POS. 1 | POS. 2 |
| | |
| ON | ON |
| 2-1 | 2-3 |



M2 Termination



| SWITCH FUNCTION | |
|-----------------|--------|
| POS. 1 | POS. 2 |
| | |
| ON | ON |
| 2-1 | 2-3 |

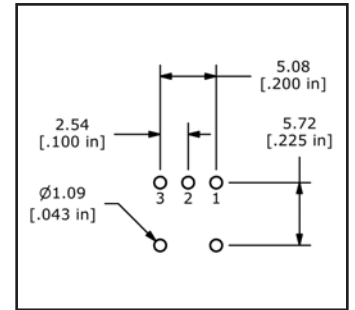
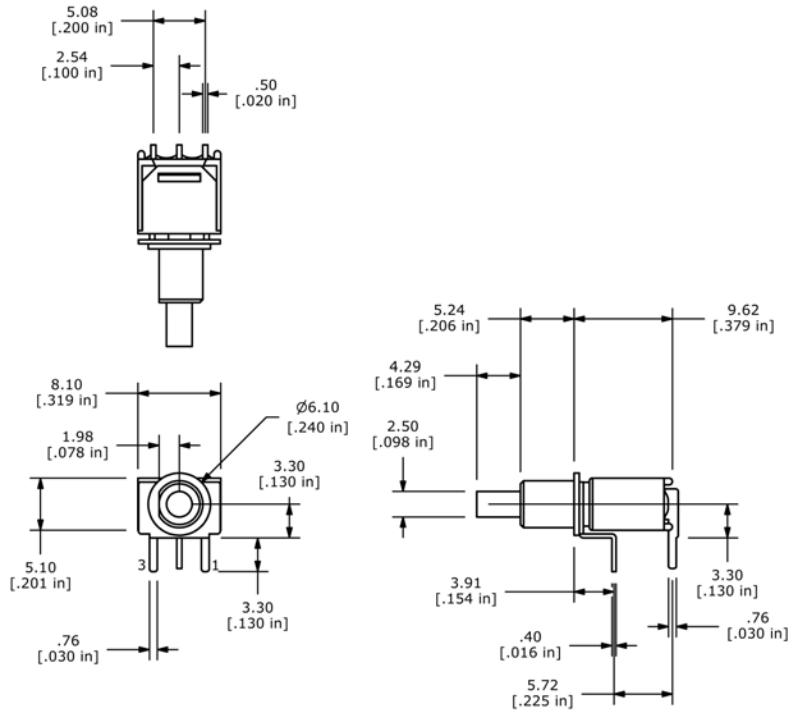


ANTI-VANDAL SWITCHES
 DETECTOR SWITCHES
 DIP SWITCHES
 KEYLOCK SWITCHES
 NAVIGATION SWITCHES
PUSHBUTTON SWITCHES
 ROCKER SWITCHES
 ROTARY SWITCHES
 SLIDE SWITCHES
 SNAP ACTION SWITCHES
 TACTILE SWITCHES
 TOGGLE SWITCHES
 CAP OPTIONS

800C SERIES PUSHBUTTON SWITCH

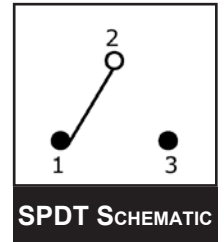
SPDT DIMENSIONS

M6 Termination



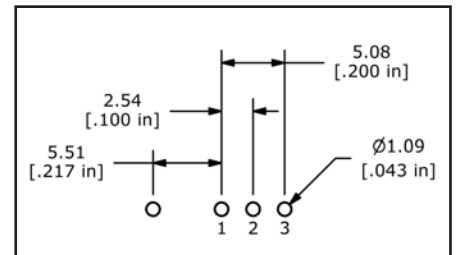
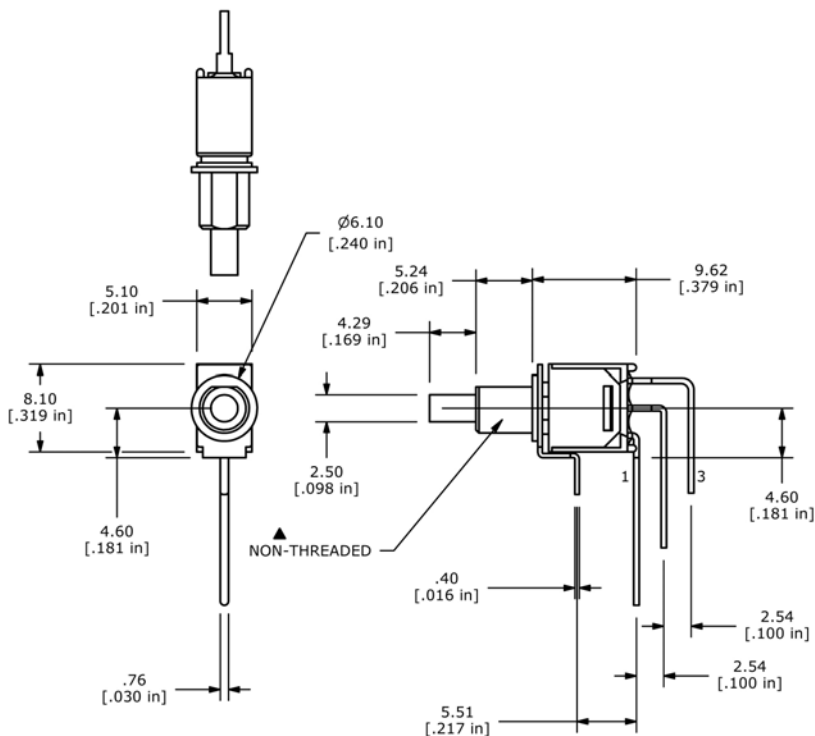
PCB LAYOUT - M6

| SWITCH FUNCTION | |
|-----------------|--------|
| POS. 1 | POS. 2 |
| | |
| ON | ON |
| 2-1 | 2-3 |



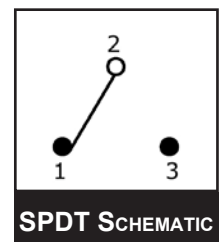
SPDT SCHEMATIC

M7 Termination



PCB LAYOUT - M7

| SWITCH FUNCTION | |
|-----------------|--------|
| POS. 1 | POS. 2 |
| | |
| ON | ON |
| 2-1 | 2-3 |



SPDT SCHEMATIC

