

PV9 SERIES ANTI-VANDAL SWITCH

ANTI-VANDAL SWITCHES
DETECTOR SWITCHES
DIP SWITCHES
KEYLOCK SWITCHES
NAVIGATION SWITCHES
PUSHBUTTON SWITCHES
ROCKER SWITCHES
ROTARY SWITCHES
SLIDE SWITCHES
SNAP ACTION SWITCHES
TACTILE SWITCHES
TOGGLE SWITCHES
CAP OPTIONS



APPLICATIONS / MARKETS



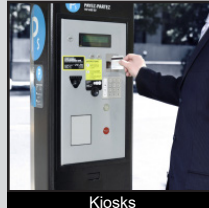
Audio / Visual



Security Devices



Industrial Controls



Kiosks



Electrical Housewares



Medical Equipment

RoHS

SPECIFICATIONS

Electrical Rating: 2A, 48VDC
Mechanical Life: 1,000,000 Cycles
Electrical Life: 50,000 Cycles
Contact Resistance: 50mΩ Max.
Insulation Resistance: 1000 MΩ Min. @ 500VDC
Dielectric Strength: 2,000VAC
Operating/Storage Temperature: -20°C to 55°C
Travel: 2.8mm
Moisture Protection: IP66
Contact Arrangement: SPDT or DPDT
Actuation Force: 6.5N
Panel Thickness: 1-10mm for Momentary
 1-12mm for Latching
Hex Nut Torque: 0.6Nm

FEATURES & BENEFITS

- 28mm diameter panel cutout
- Dot or ring illumination options available
- Multiple switch functions available
- Multiple illumination voltage options
- IP66 rated
- SPDT or DPDT

PART NUMBER CONFIGURATOR

Series	Actuator Options	Terminal Options	Function Options	Rating Options	Body Finish Options	Actuator Finish Options	Lens Style Options	LED Color Options	Illumination Voltage Options
<input type="text" value="PV9"/>	<input type="text" value="F - Flat"/>	<input type="text" value="2 - Solder"/>	<input type="text" value="Y - 1P OFF-(ON), 1P ON-(OFF)*
T - 1P OFF-ON, 1P ON-OFF
V - 2P OFF-(ON), 2P ON-(OFF)*
U - 2P OFF-ON, 2P ON-OFF"/>	<input type="text" value="0 - 2A, 48VDC"/>	<input type="text" value="N - Nickel Plated
S - Stainless Steel"/>	<input type="text" value="N - Nickel Plated
S - Stainless Steel"/>	<input type="text" value="NONE - Non-Illuminated
2 - Dot Illumination
3 - Ring Illumination"/>	<input type="text" value="NONE - Non-Illuminated
0 - White
1 - Red
2 - Orange
3 - Green
4 - Blue
5 - Yellow
F - Red/Orange
G - Red/Green
H - Red/Blue
J - Red/Yellow
K - Orange/Green
L - Orange/Blue
M - Orange/Yellow"/>	<input type="text" value="NONE - Non-Illuminated
1 - Base Voltage†
3 - 6V
4 - 12V
5 - 24V
6 - 125V
7 - 250V"/>

NOTES:
 * () denotes function is momentary
 † Base voltage for LED colors red, yellow, and orange is 1.8V @ 20mA
 ‡ Base voltage for LED colors blue, green and white is 2.8V @ 20mA

Specifications subject to change without notice 4.8.2019



E-SWITCH®

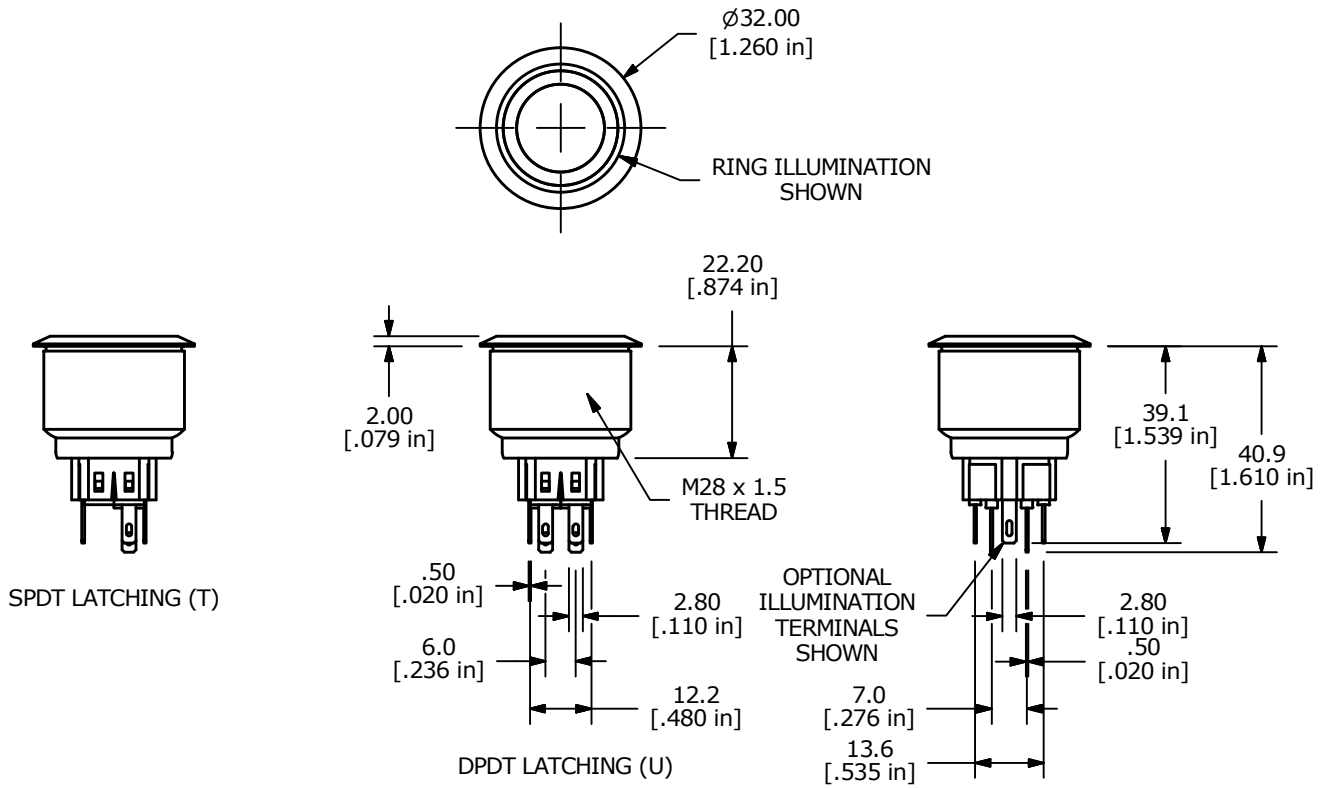
www.e-switch.com

800.867.2717

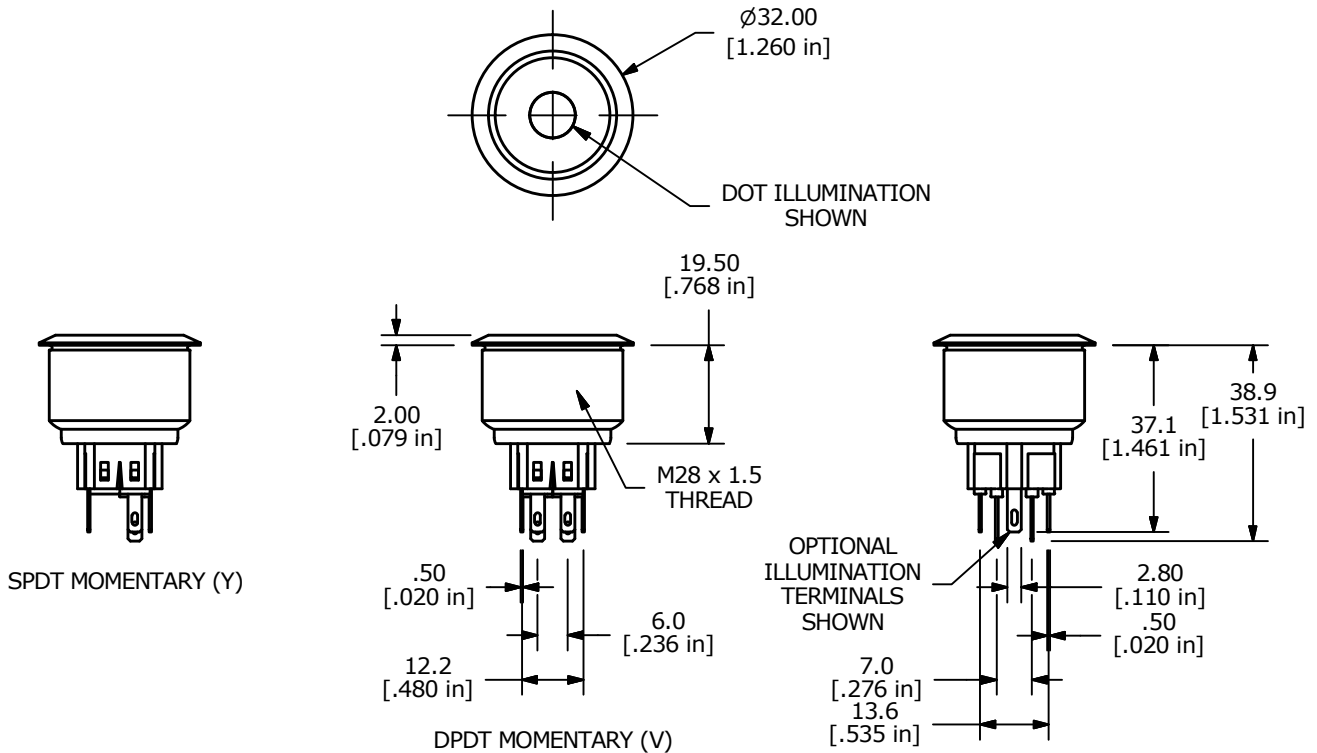
1

PV9 SERIES ANTI-VANDAL SWITCH

BODY DIMENSIONS



LATCHING SWITCH DIMENSIONS

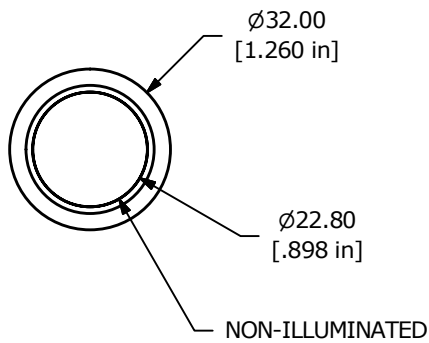


MOMENTARY SWITCH DIMENSIONS

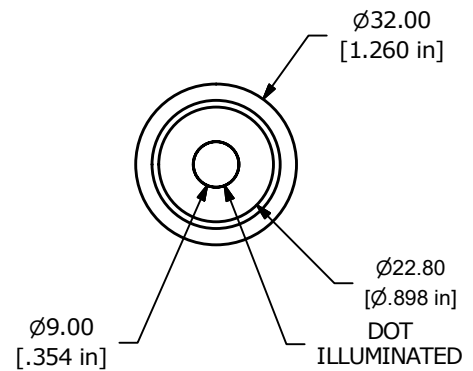


PV9 SERIES ANTI-VANDAL SWITCH

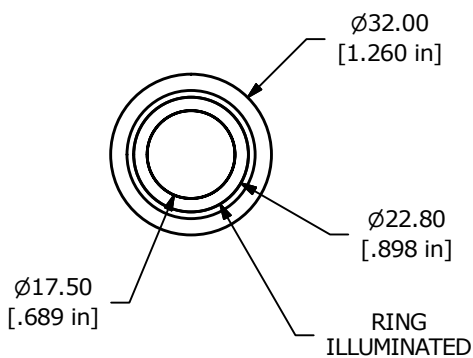
ACTUATOR OPTIONS



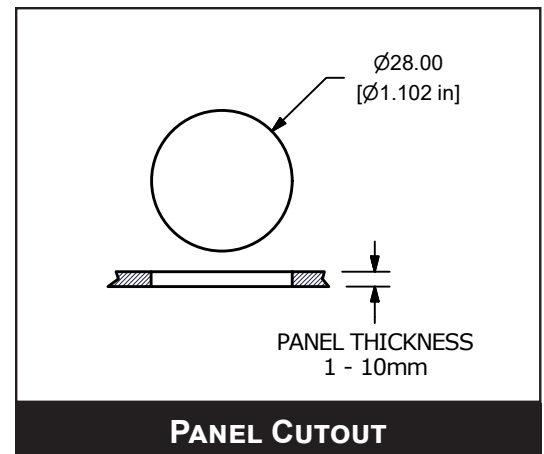
NON-ILLUMINATED



DOT ILLUMINATED



RING ILLUMINATED



SCHEMATICS

