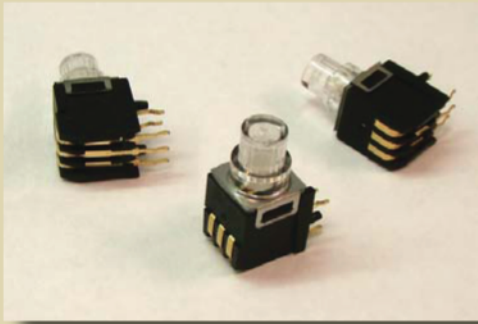


SERIES TL1290 SWITCHES



TACT SWITCHES ILLUMINATED - RIGHT ANGLE



FEATURES & BENEFITS

- Right Angle, through hole termination
- Single color LED options available
- Gold plated contacts for high reliability switching
- Sharp, tactile response
- Long travel

APPLICATIONS / MARKETS

- Consumer Electronics
- Audio/visual
- Medical
- Testing/Instrumentation
- Telecommunications
- Computer/Servers/Peripherals

MECHANICAL SPECIFICATIONS

Force:	500 +/- 125 gf
Travel:	1.0 +/- 0.2mm to Electrical Make 2.0 +/- 0.2mm Full Travel

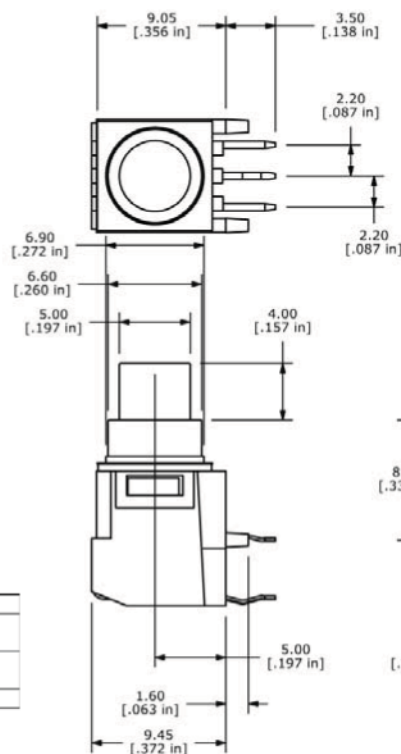
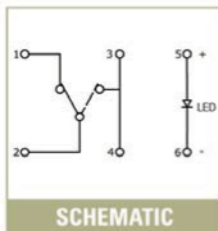
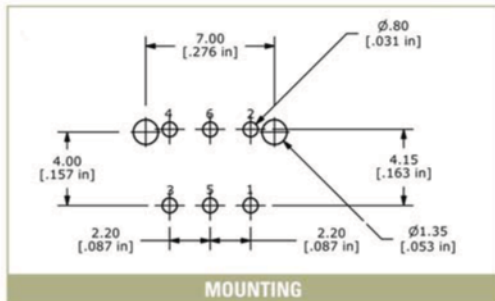
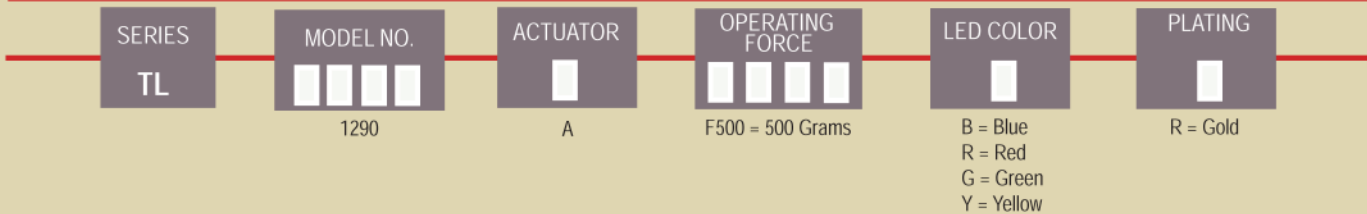
ELECTRICAL SPECIFICATIONS

Electrical Life:	25,000 cycles
Bounce:	5 mSeconds max
Contact Rating:	100mA @ 32VDC
Contact Resistance:	250mΩ (initial max)
Insulation Resistance:	100MΩ (Min @ 500VDC)
Dielectric Strength:	250VAC

ENVIRONMENTAL SPECIFICATIONS

Operating Temperature:	-20°C to +70°C
Storage Temperature:	-30°C to +80°C

HOW TO ORDER:



	Blue	Red	Green	Yellow
Forward Current (mA)	30mA	40mA	30mA	30mA
Forward Voltage @ 20mA	3.5-4.0 VDC	1.5-2.4 VDC	1.7-2.8 VDC	1.7-2.8 VDC
Luminous Intensity	350-700 mcd	75-120 mcd	60-100 mcd	45-75 mcd